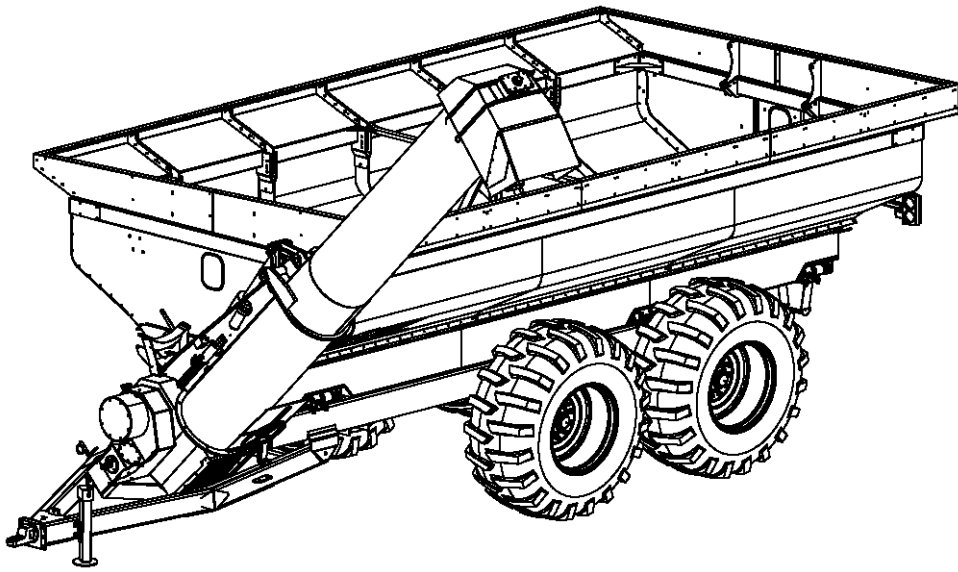


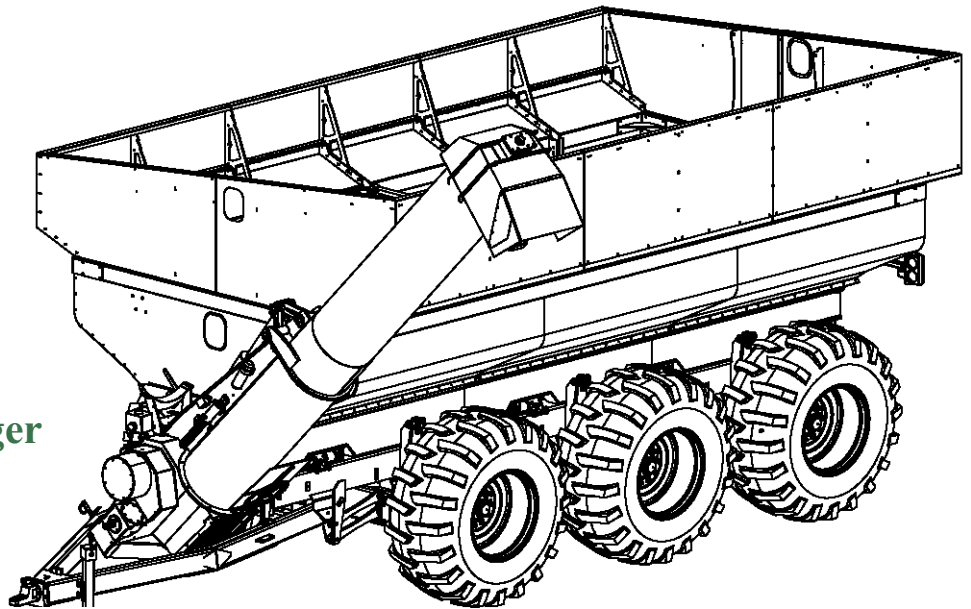
THE
FIELD FLOATER
High Capacity *Grain Carts*

PARTS MANUAL

Tandem



Tridem



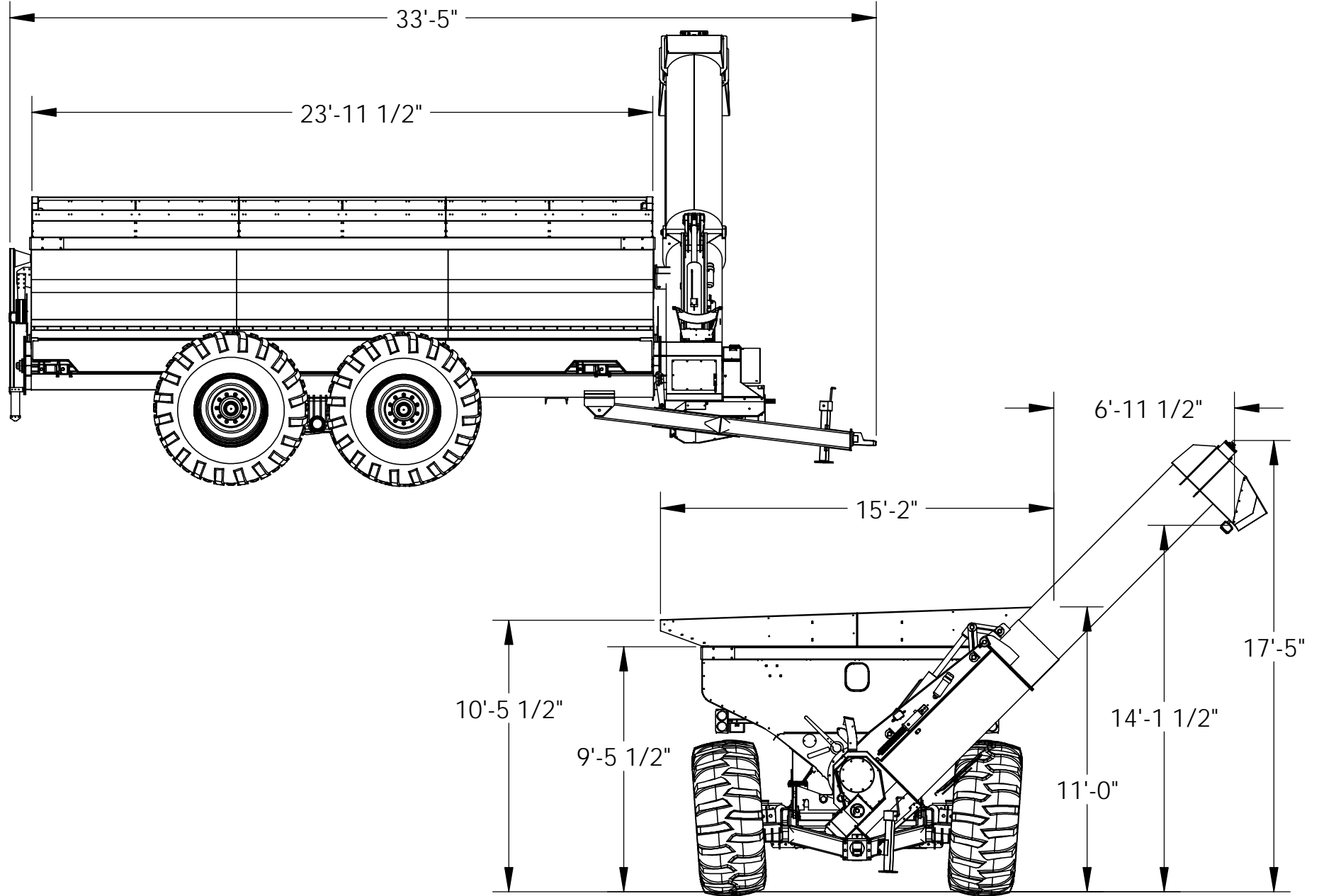
1325 Extension
1550 Extension
2000 Extension

Standard Upper Vertical Auger
Swivel Upper Vertical Auger



July 2009
English Edition

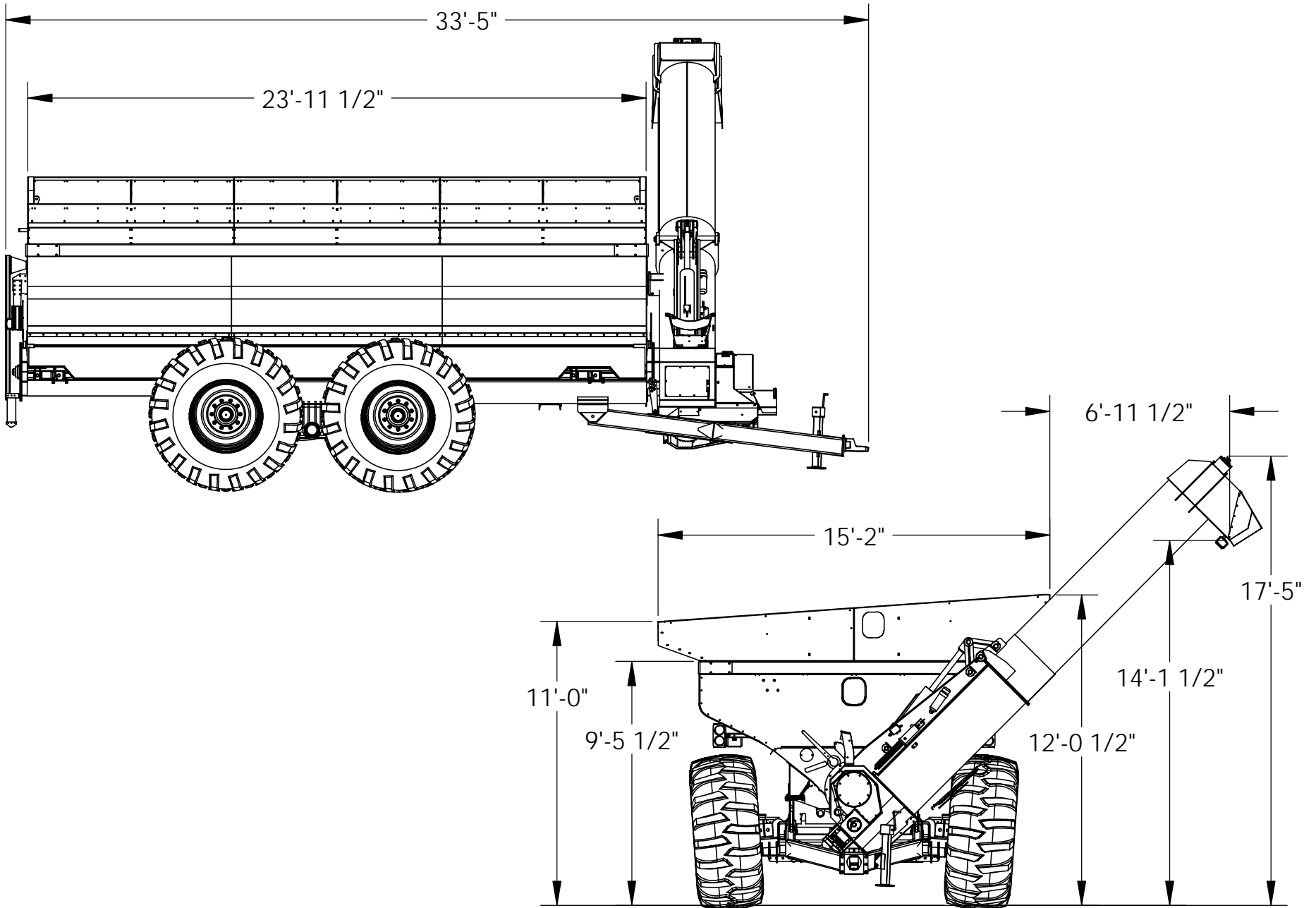
1325 TANDEM GRAIN CART



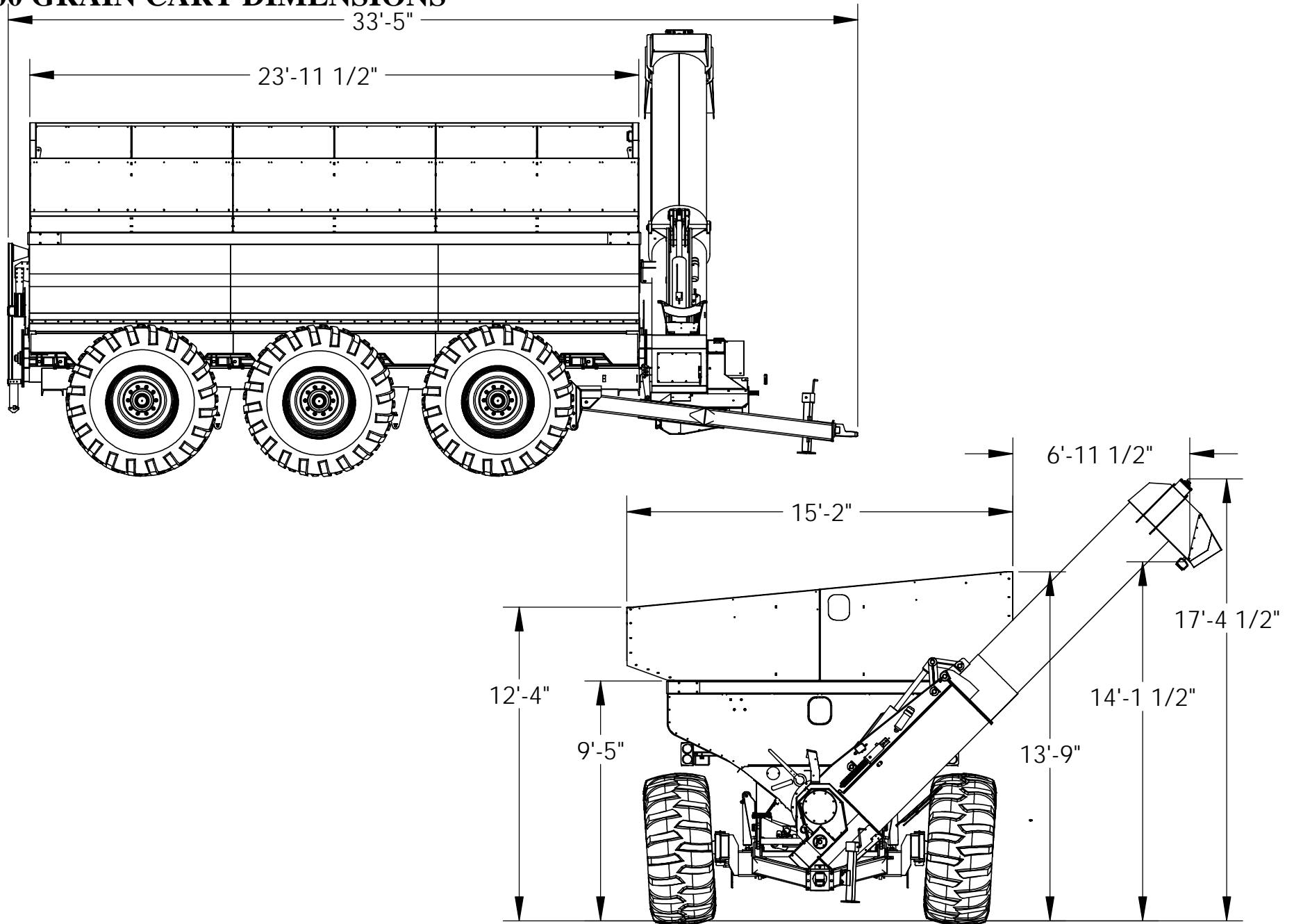
Parts

1550 TANDEM GRAIN CART

BALZER^{INC}



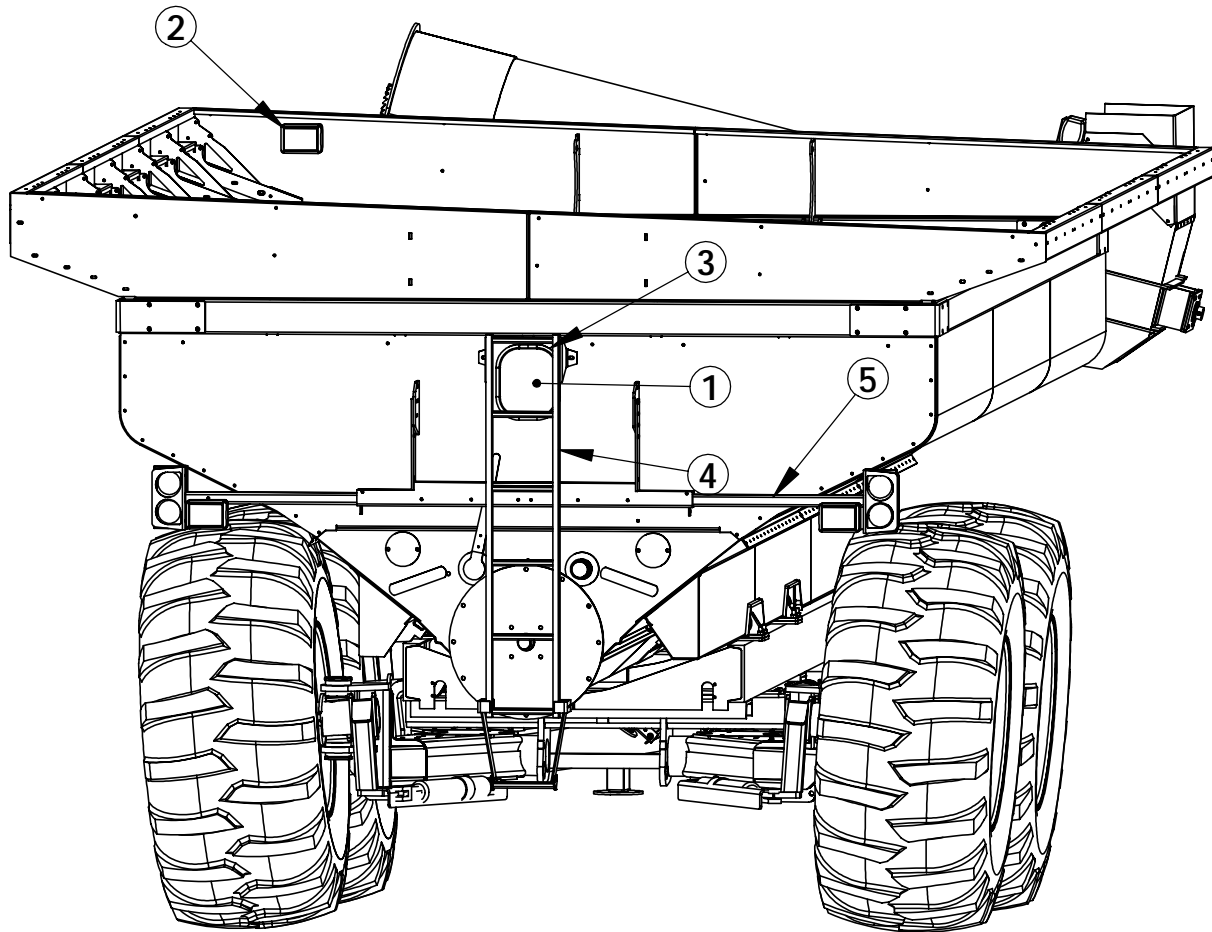
2000 GRAIN CART DIMENSIONS



Parts

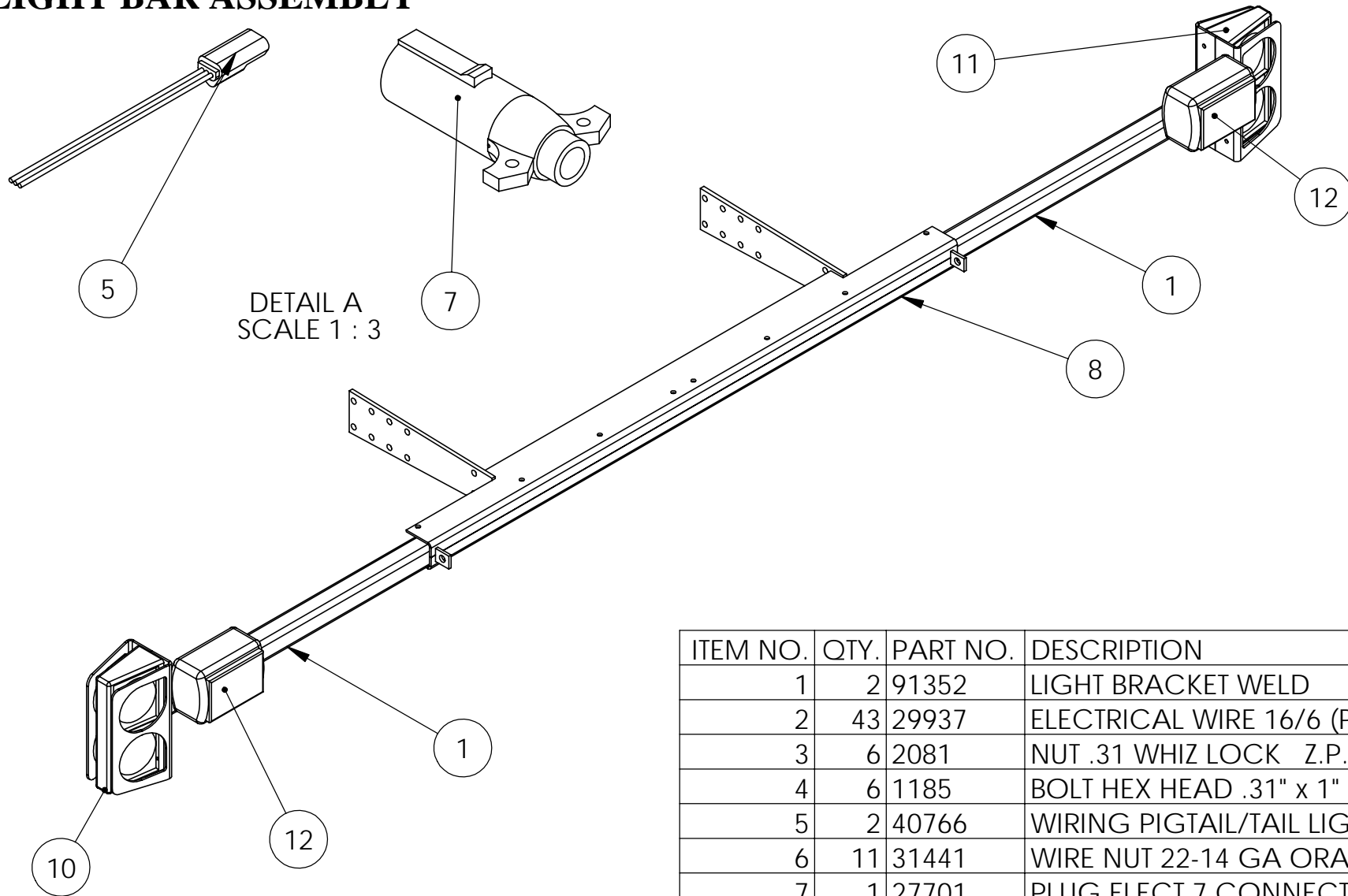
BALZER_{INC}

Lights, Ladder and Windows



ITEM #	QTY.	PART #	DESCRIPTION
1	2	90318	WINDOW IN GRAIN CART
2	1	60984	WORK LIGHT 3x5 HALOGEN
3	2	90739	RUBBER SEAL - WEATHERSTRIP
4	1	83440	LADDER GRAIN CART (CHANNEL)
5	1	91350	LIGHT KIT ADJUSTABLE

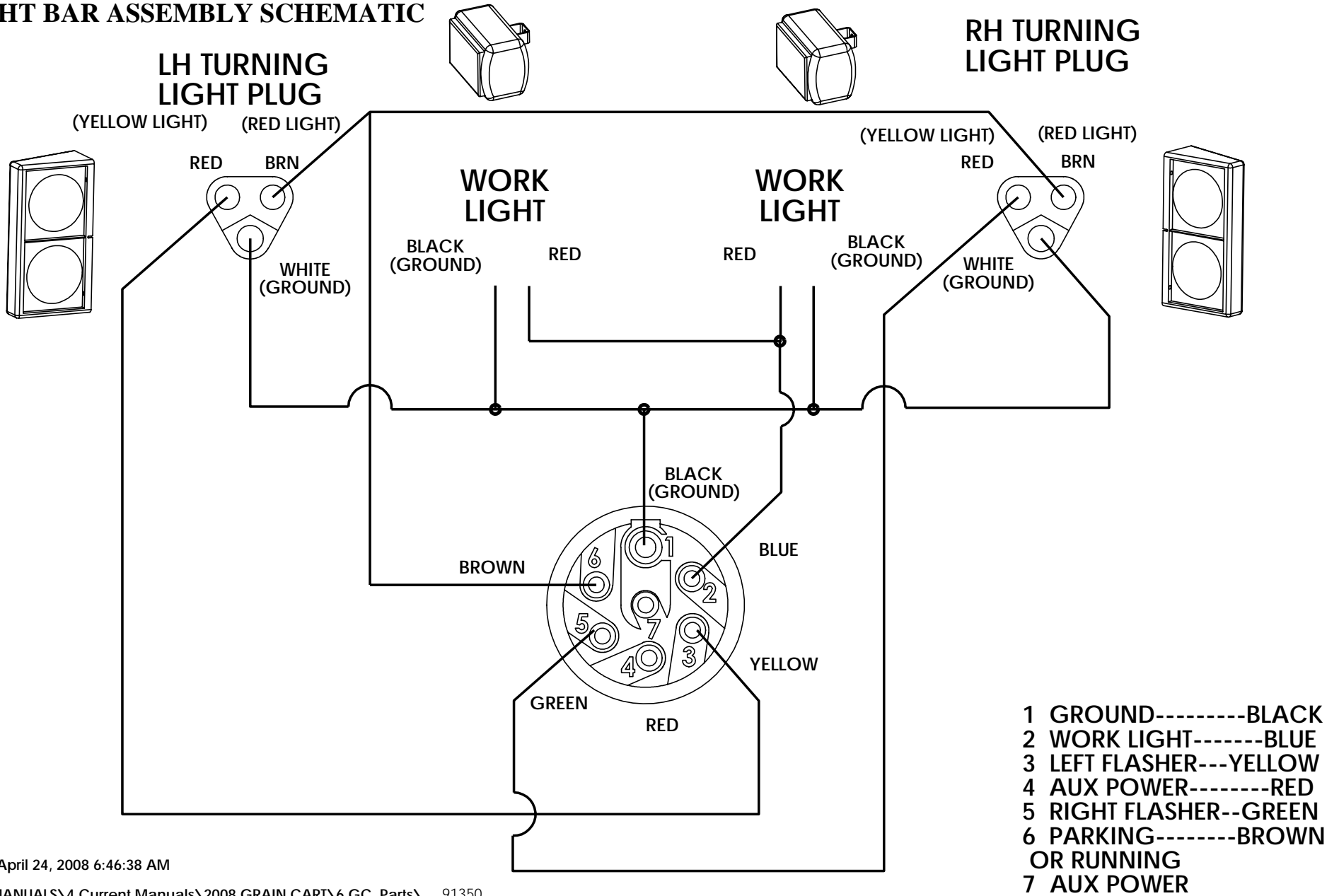
LIGHT BAR ASSEMBLY



ITEM NO.	QTY.	PART NO.	DESCRIPTION
1	2	91352	LIGHT BRACKET WELD
2	43	29937	ELECTRICAL WIRE 16/6 (PER FT)
3	6	2081	NUT .31 WHIZ LOCK Z.P.
4	6	1185	BOLT HEX HEAD .31" x 1" GRD5
5	2	40766	WIRING PIGTAIL/TAIL LIGHT
6	11	31441	WIRE NUT 22-14 GA ORANGE
7	1	27701	PLUG ELECT 7 CONNECTOR FML
8	1	92755	LIGHT BAR RECIEVER
9	3	15742	CLAMP, PIPE 1/4"
10	1	40763	LIGHT TURNING LH
11	1	40762	LIGHT TURNING RH
12	2	60984	WORK LIGHT 3x5 HALOGEN

Parts
LIGHT BAR ASSEMBLY SCHEMATIC

BALZER_{INC}

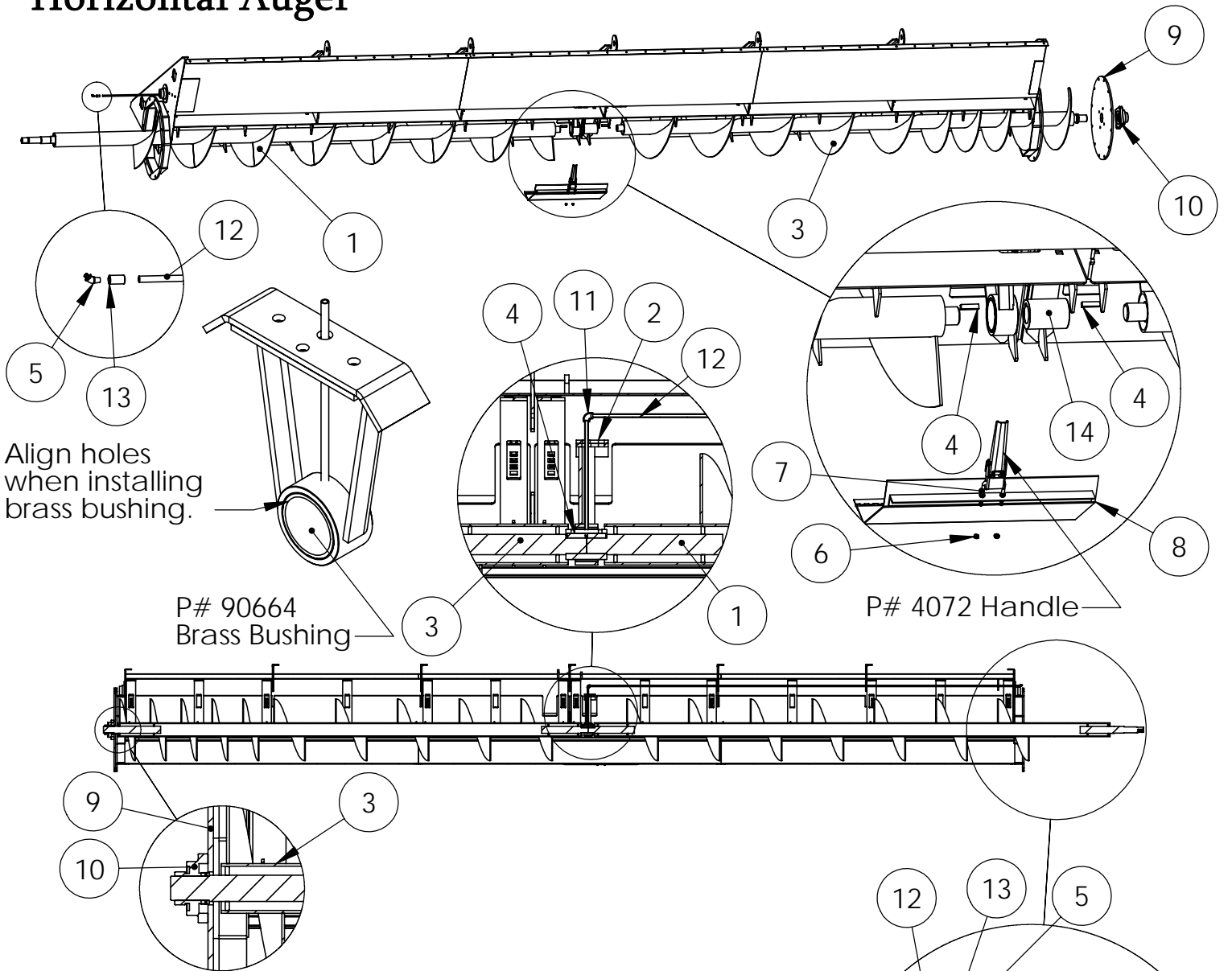


LAST REVISED
 Thursday, April 24, 2008 6:46:38 AM
 SAVED AS
 G:\Asw\MANUALS\4 Current Manuals\2008 GRAIN CART\6 GC Parts\ 91350

Parts

BALZER_{INC}

Horizontal Auger

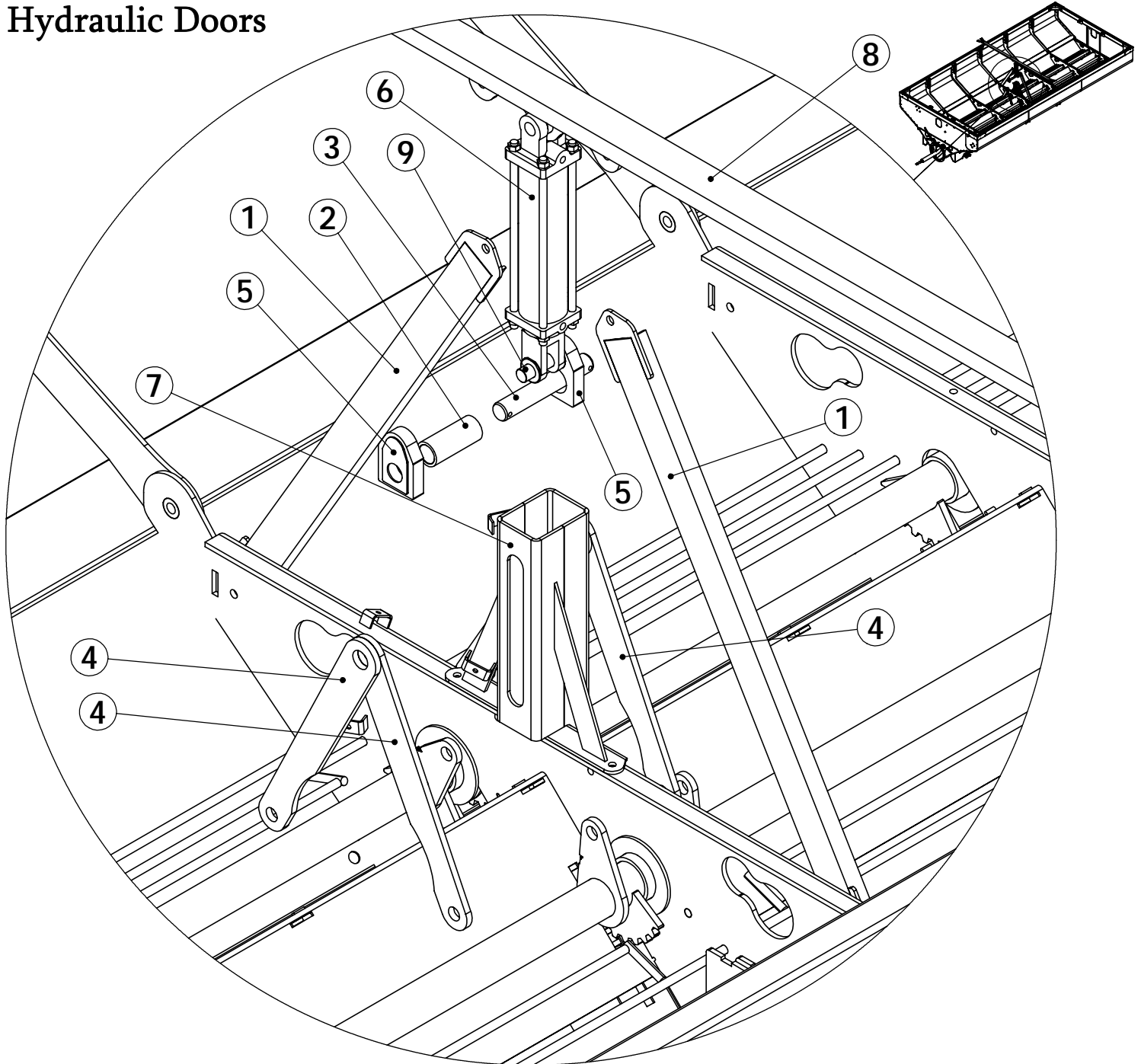


ITEM #	QTY.	PART #	DESCRIPTION
1	1	90906	AUGER 20" FRONT HORIZ
2	1	90661	HANGER BEARING HOR AUGER
3	1	90451	AUGER 20" HORIZ REAR
4	2	2437	KEY .50" x .50" x 2.00" LG
5	1	2292	ZERK .12" -28 NPT -45 DEG
6	4	1691	NUT .31 HEX
7	1	84491	U-BOLT 5/16"-18 x 2" x 3"
8	1	84484	DOOR BOTTOM CLEAN OUT
9	1	85062	COVER, REAR HORT AUGER 27" OD
10	1	26872	BEARING 4 BOLT FLG 2.18" X 5.12" CAM
11	1	90676	ELBOW .125" FMNPT x .125" FMNPT x 90 DEG
12	1	90677	NIPPLE .12" NPTM X .12" NPTM X 139" LG
13	1	12333	COUPLER PIPE 1/8" NPT
14	1	90586	COUPLER SHAFT 2"IDx3.3" OD x 4.5"LGx .5KY

Parts

Hydraulic Doors

BALZER^{INC}



ITEM #	QTY.	PART #	DESCRIPTION
1	2	85455	DIAGONAL SUPPORT WELDMENT 47 1/4"
2	1	85468	BUSHING 1.87"ODx .25 WALL x 4.43" LONG
3	1	85464	PIN 1.37"x 8.50" w/ 2 THRU HOLES
4	4	85463	DOOR ADJUSTMENT BAR 1/2" x 2 1/2" x 21 3/4"
5	2	85481	PLATE WELDMENT 1.12" x 2.87" x 4.68"
6	1	8226	HYD CYL 2.50" B x10.00"S x1.12R -TIE ROD
7	1	85460	CYLINDER GUIDE WELDMENT
8	1	85450	TOP SUPPORT WELDMENT A-FRAME
9	1	85498	PIN 1" x 4.25" LONG

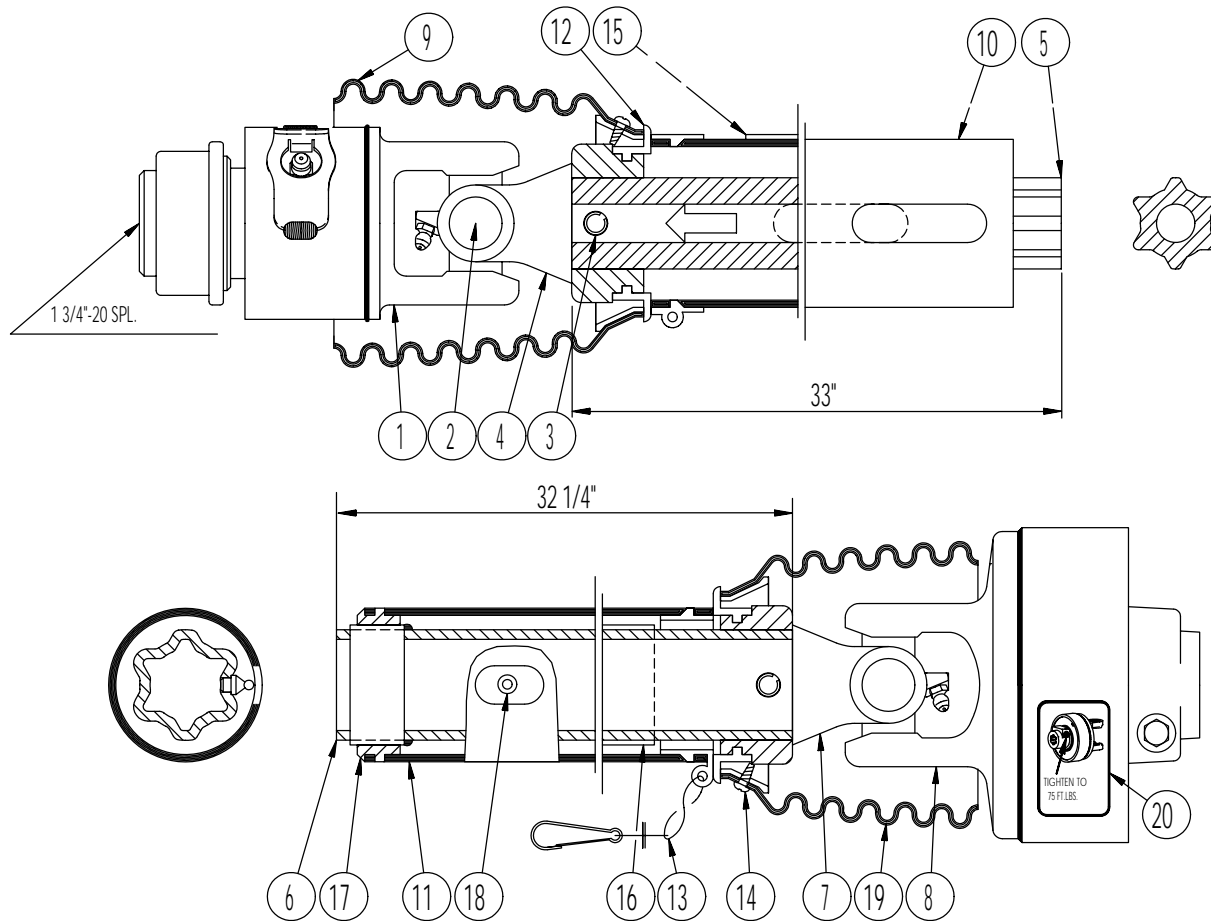
Parts

BALZER^{INC}

PTO 1 3/4" - 1000RPM CutOut Clutch Part # 37446WAL

BILL OF MATERIALS

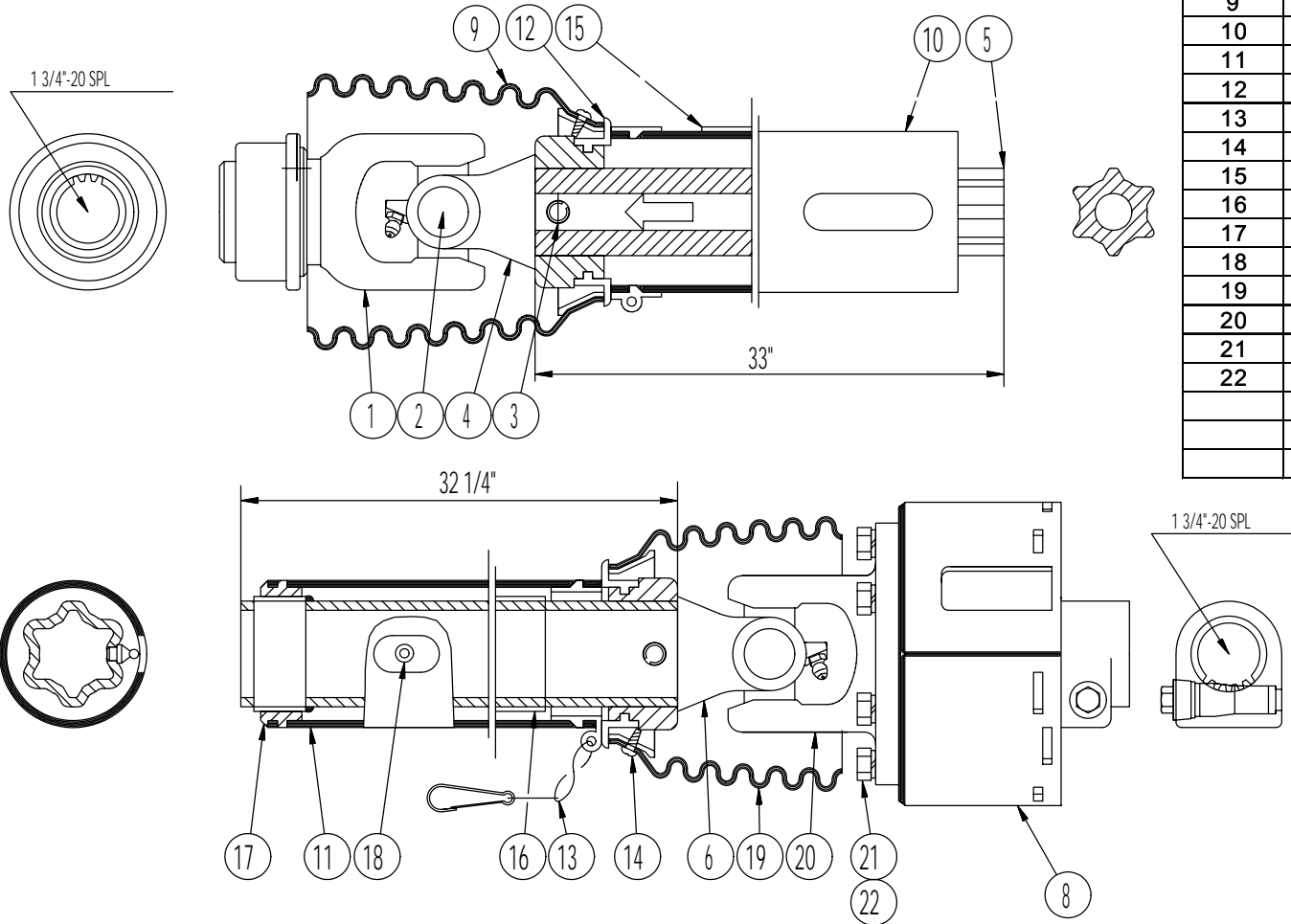
Item #	Quantity	Part #	Description
1	1	52065	OVERRUNNING CLUTCH
2	2	17157	CROSS & BEARING KIT
3	2	17158	SPRING PIN 10 X 90
4	1	17159	INBOARD YOKE S4
5	1	52066	INNER PROFILE S4GA
6	1	50639	PROFILE(S5) & SLEEVE W.A.
7	1	17162	INBOARD YOKE S5
8	1	52067	CUT-OUT CLUTCH
9	1	17163	SHIELD CONE 7 RIB
10	1	50640	OUT. SHIELD TUBE OVL.
11	1	50641	INN. SHIELD TUBE RND.
12	2	16814	BEARING RING SC25
13	1	16815	SAFETY CHAIN
14	2	16818	SCREW-IN ITEM 9 & 19
15	1	16816	DECAL OUT.-IN ITEM 10
16	1	16817	DECAL INN.-IN ITEM 6
17	1	17171	SUPPORT BEARING
18	1	16820	ZERK-IN ITEM 6
19	1	50454	SHIELD CONE 6 RIB
20	1	52069	DECAL-K64
	1	17173	ASG COL. KIT-IN ITEM 1
	1	52068	CC LOCK ASSY-IN ITEM 8



Parts

PTO 1 3/4" - 1000RPM Friction Clutch Part # 37518WAL

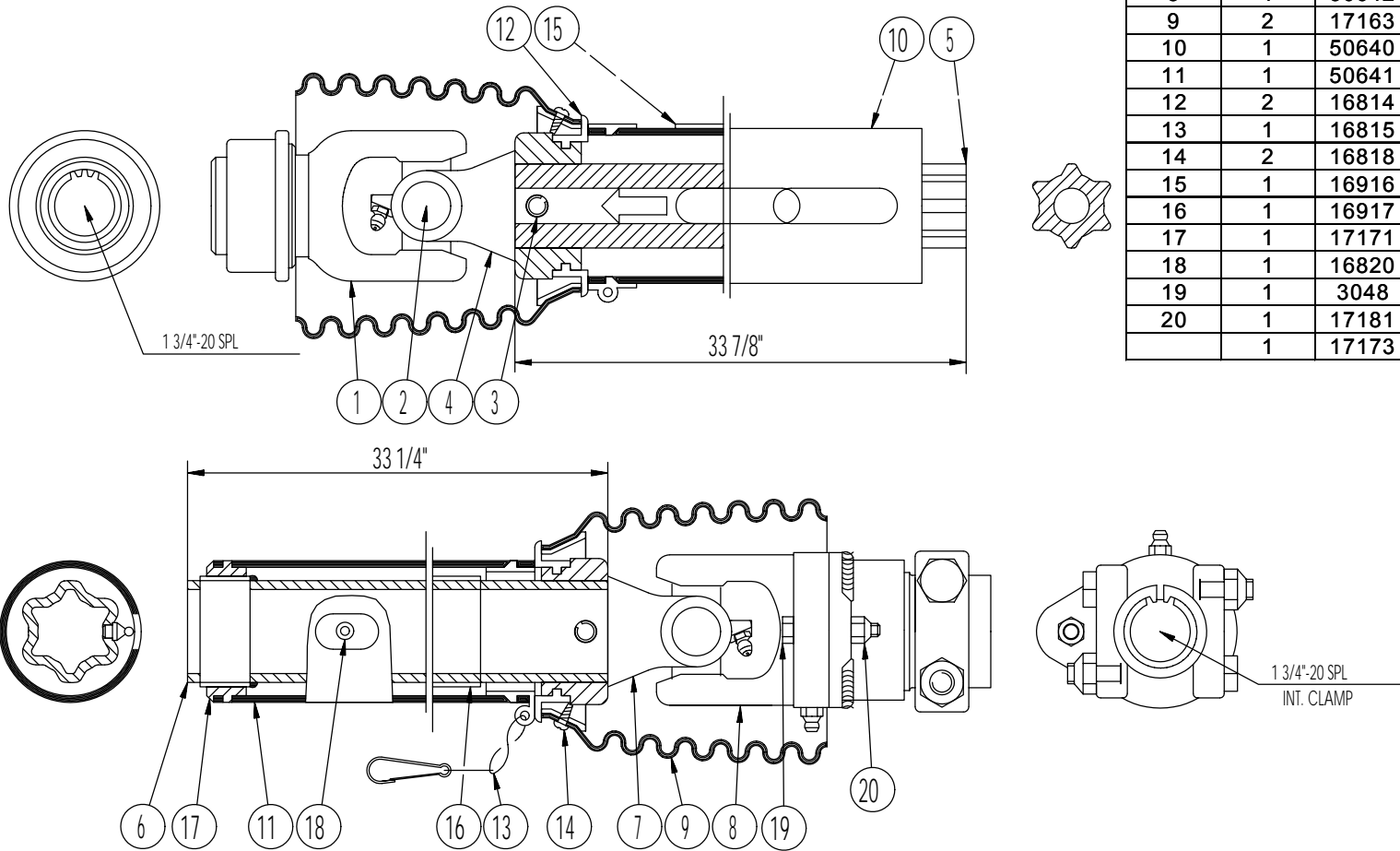
BILL OF MATERIALS			
Item #	Quantity	Part #	Description
1	1	17200	YOKE 1 3/4"-20 SPL ASG
2	2	17157	CROSS & BEARING KIT
3	2	17158	SPRING PIN 10 X 90
4	1	17159	INBOARD YOKE S4
5	1	52166	INNER PROFILE S4GA
6	1	52167	PROFILE(S5H) & SLEEVE WA
7	1	17162	INBOARD YOKE S5
8	1	52168	FRICITION/OVERRUNNING CLUTCH
9	1	17163	SHIELD CONE 7 RIB
10	1	52169	OUT. SHIELD TUBE OVL.
11	1	50972	INN. SHIELD TUBE RND.
12	2	16814	BEARING RING SC25
13	1	16815	SAFETY CHAIN
14	2	16818	SCREW-IN ITEM 9 & 19
15	1	16816	DECAL OUT.-IN ITEM 10
16	1	16817	DECAL INN.-IN ITEM 6
17	1	17171	SUPPORT BEARING
18	1	N/A	ZERK-IN ITEM 6
19	1	50454	SHIELD CONE 6 RIB
20	1	50619	FLANGE YOKE
21	6	3043	BOLT M12 X 30
22	6	3063	LOCK WASHER M12
	1	17173	AS COL. KIT-IN ITEM 1
	1	50616	CC LOCK ASSY-IN ITEM 8



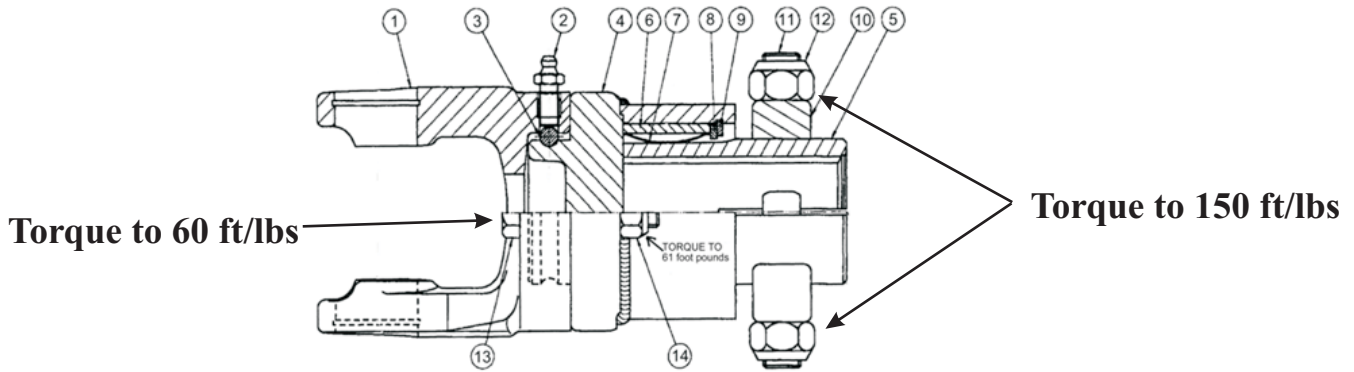
Parts

PTO 1 3/4" - 1000RPM Shear Yoke PTO Part # 91409WAL

Item #	Quantity	Part #	Description
1	1	17200	YOKE 1 3/4"-20 SPL ASG
2	2	17157	CROSS & BEARING KIT
3	2	17158	SPRING PIN 10 X 90
4	1	17159	INBOARD YOKE S4
5	1	52066	INNER PROFILE S4
6	1	50639	PROFILE & SLEEVE W.A.
7	1	17162	INBOARD YOKE S5
8	1	50642	SHEARBOLT/OVERRUNNING CLUTCH
9	2	17163	SHIELD CONE 7 RIB
10	1	50640	OUT. SHIELD TUBE OVL.
11	1	50641	INN. SHIELD TUBE RND.
12	2	16814	BEARING RING SC25
13	1	16815	SAFETY CHAIN
14	2	16818	SCREW-IN ITEM 9
15	1	16916	DECAL OUT.-IN ITEM 10
16	1	16917	DECAL INN.-IN ITEM 6
17	1	17171	SUPPORT BEARING
18	1	16820	ZERK - IN ITEM 6
19	1	3048	BOLT M12X60-IN ITEM 8
20	1	17181	NUT M12 - IN ITEM 8
	1	17173	ASG COL. KIT-IN ITEM 1



GRAINCART SHEARBOLT YOKE, PART# 50642



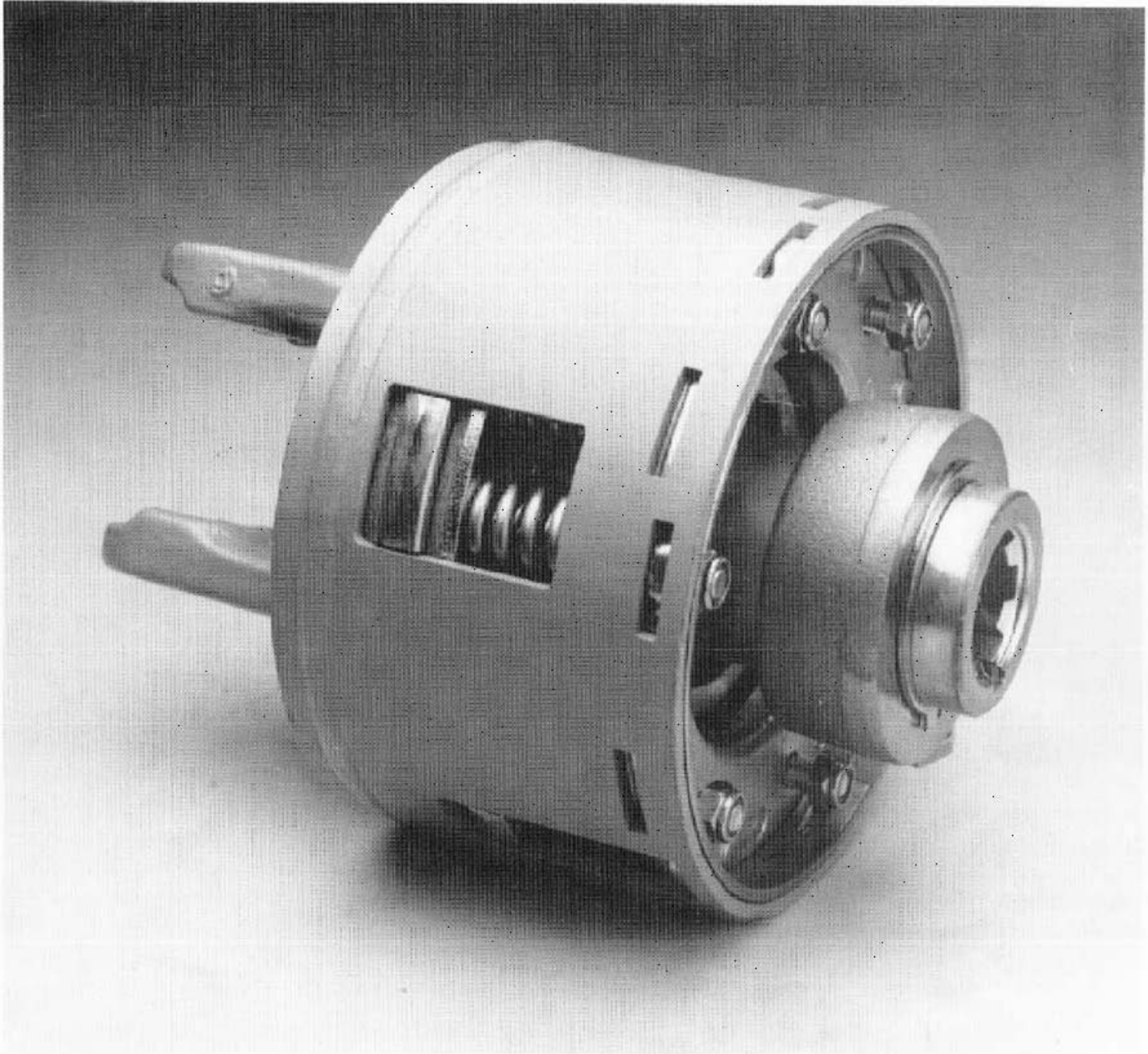
ITEM	PART#	QTY	DESCRIPTION
1	50643	1	YOKE
2	16824	1	ZERK
3	16825	24	BALL
4	50644	1	HOUSING
5	50645	1	HUB 1 3/4" - 20 SPL
6	50646	2	KEY
7	50647	2	LEAF SPRING
8	50648	1	SUPPORTING RING
9	50649	1	RETAINING RING
10	50486	2	CLAMP BRIDGE
11	50485	2	HEX BOLT 16mm x 110mm
12	3149	2	HEX LOCK NUT 16mm
13	3048	1	HEX BOLT 12mm x 60mm
14	3119	1	HEX LOCK NUT 12mm

Parts



Friction clutch

K-97 - K97/4



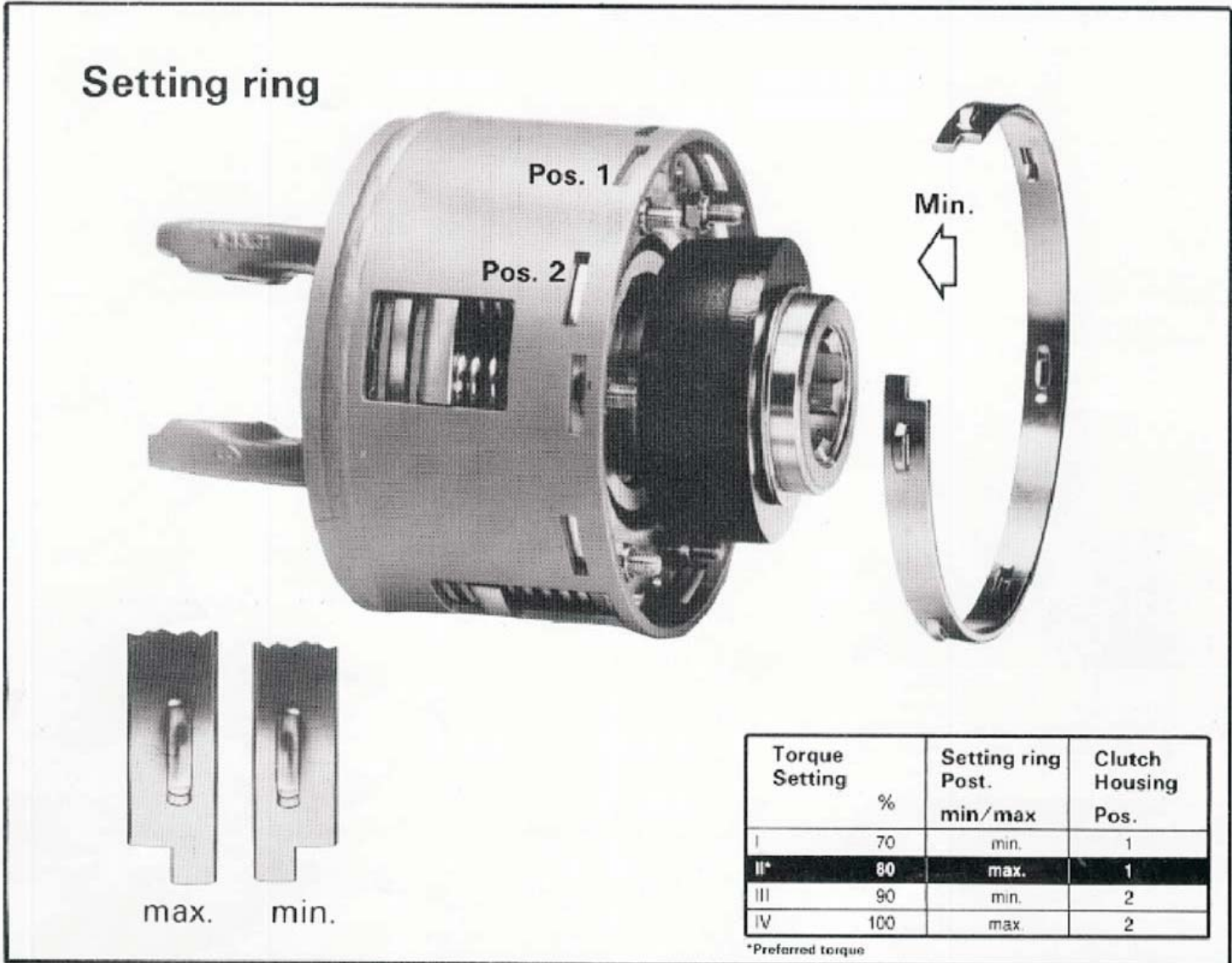
Assembly/Dismantling instructions



NOTE

Proper operation of the friction clutch on this machine requires it to be set at it's highest position.

Parts



The torque setting can be modified with the aid of a setting ring and two alternative location slots in the clutch housing.

1. The setting ring provides for a **min.** position and a **max.** position.

2. The clutch housing incorporates two locating positions for the setting ring (1 and 2) which are situated at different levels.

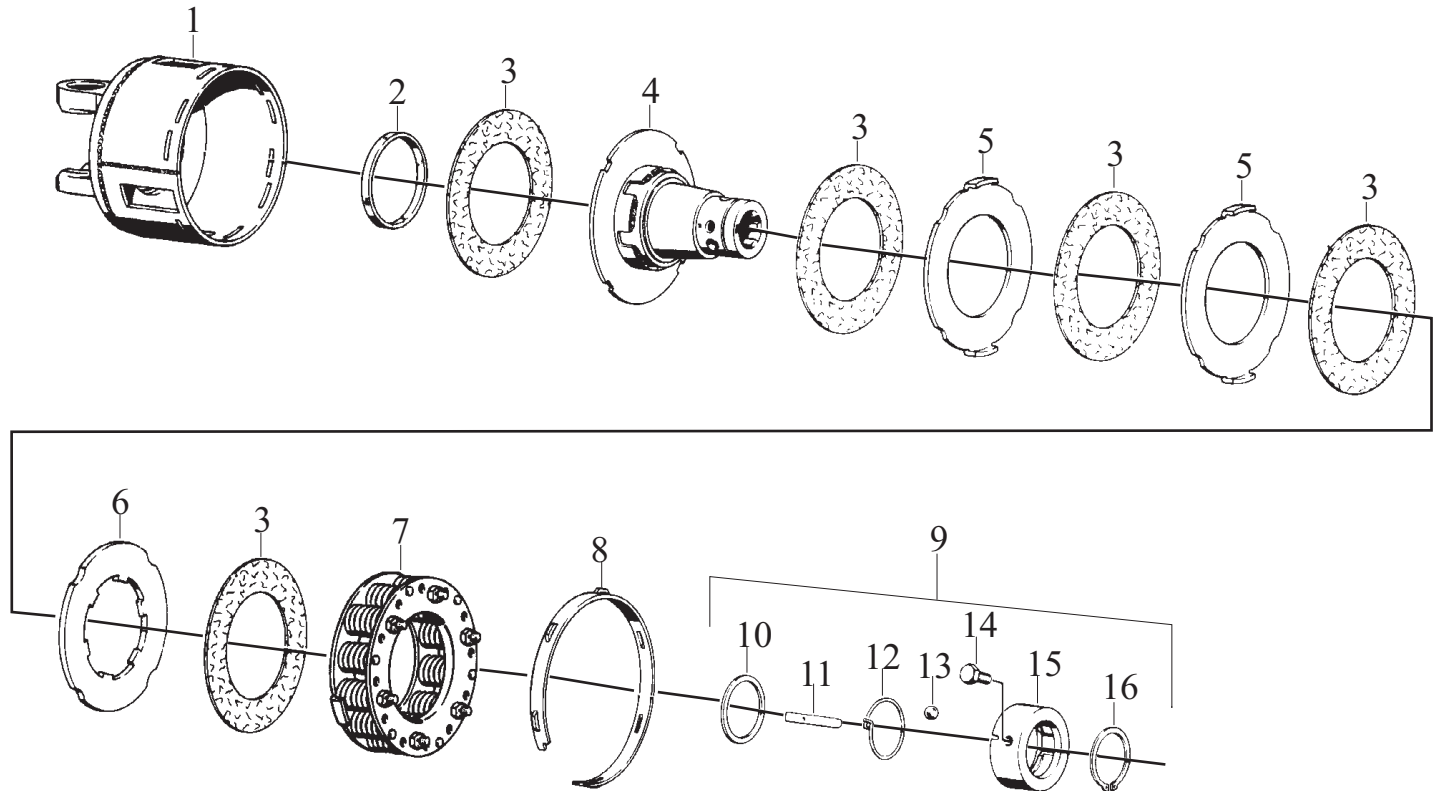
For each power pack **four** torque settings are possible (see table).

The setting ring can only be removed in relieved condition which is obtained by tightening the nuts.

Parts



Friction Clutch K-97 - K97/4

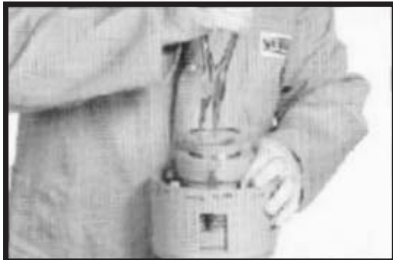


1	Clutch Housing	9	QC-Lock Complete;Size C
2	Ring	10	Washer
3	Friction Disk	11	Clamping Key
4	Flange Hub	12	Torsional Spring
5	Drive Plate	13	Ball
6	Drive Plate	14	Self-Locking Hexagon Screw
7	Spring Pack Assembly	15	Lock Ring
8	Setting Ring	16	Retaining Ring

Parts



Dismantling



1. If so equipped - remove the QC locking collars from the hub.



2. To begin dismantling - mount clutch in a vise and tighten down the 6 nuts in even sequence until the spring pack assembly is loose.



3. Remove the setting ring using a flat blade screwdriver.



4. Lift the spring pack assembly out by lifting it up opposite the locating tab which is on the bottom plate of the spring pack. NOTE: This tab is located in the narrow slot.



5. Remove flange hub together with friction disks and drive plates. Tilt hub as illustrated and lift out.

Assembly



1. Fit friction disks and drive plates to flange hub in correct sequence as illustrated. One friction disk is mounted in the bottom of the clutch housing along with the fiber hub pilot bearing.



2. Insert the flange hub with friction disks and drive plates into the clutch housing lining up the tabs of the drive plate.



3. Replace spring pack assembly.



4. Replace setting ring to proper location. Noting position window and setting ring to min./max. location.



5. Back off the 6 nuts to the end of the studs. In this position the spring pack is at the pressure controlled by the location of the setting ring.

TANDEM GRAIN CART FRAME WITH 6 WEIGH BARS

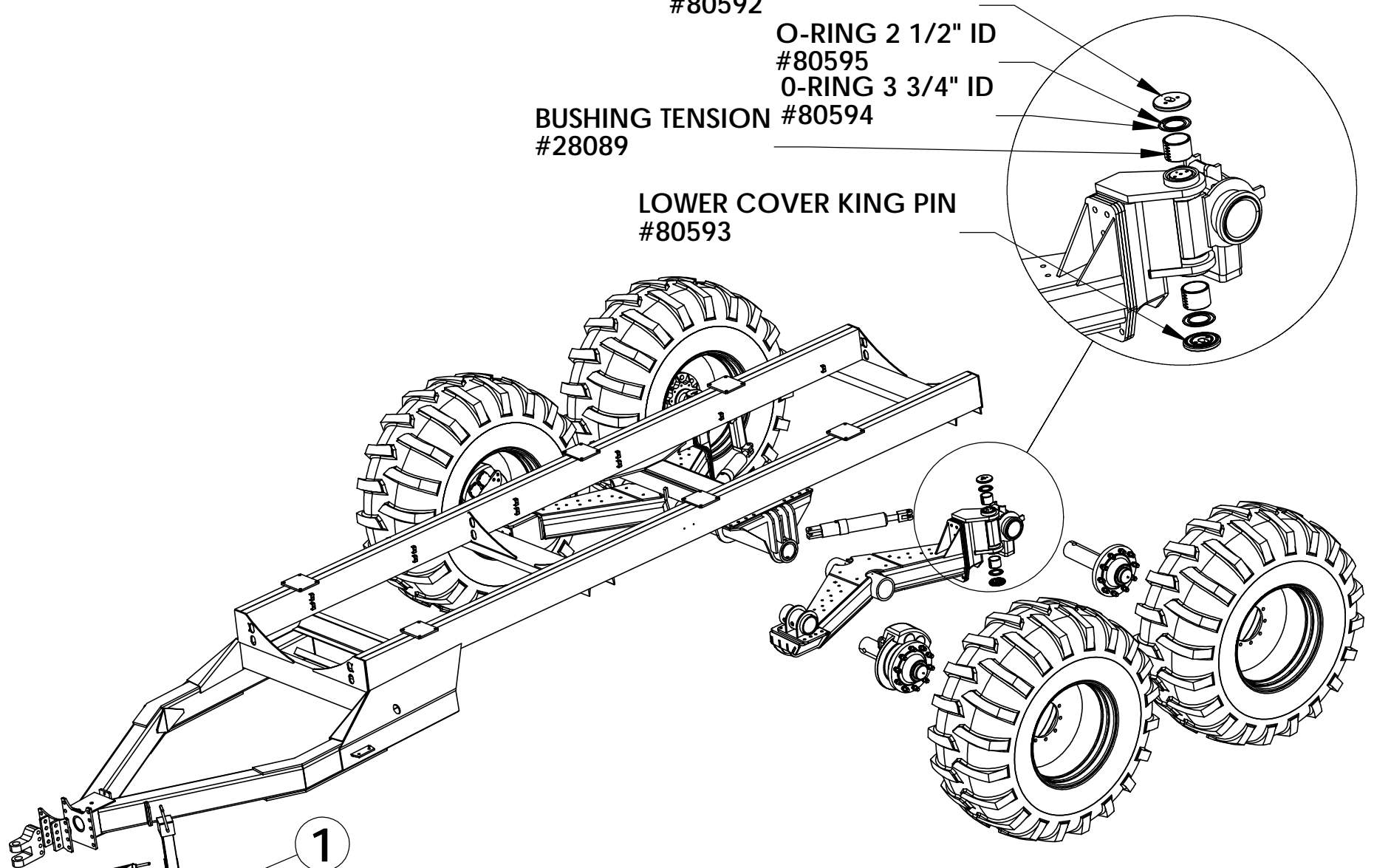
UPPER COVER KING PIN
#80592

O-RING 2 1/2" ID
#80595

O-RING 3 3/4" ID

BUSHING TENSION #80594
#28089

LOWER COVER KING PIN
#80593



ITEM #	QTY.	PART #	DESCRIPTION
1	1	83338	JACK CRANK W/BRACKET- SIMOL
2	2	90646	PIN & CHAIN .63x3 WORKING

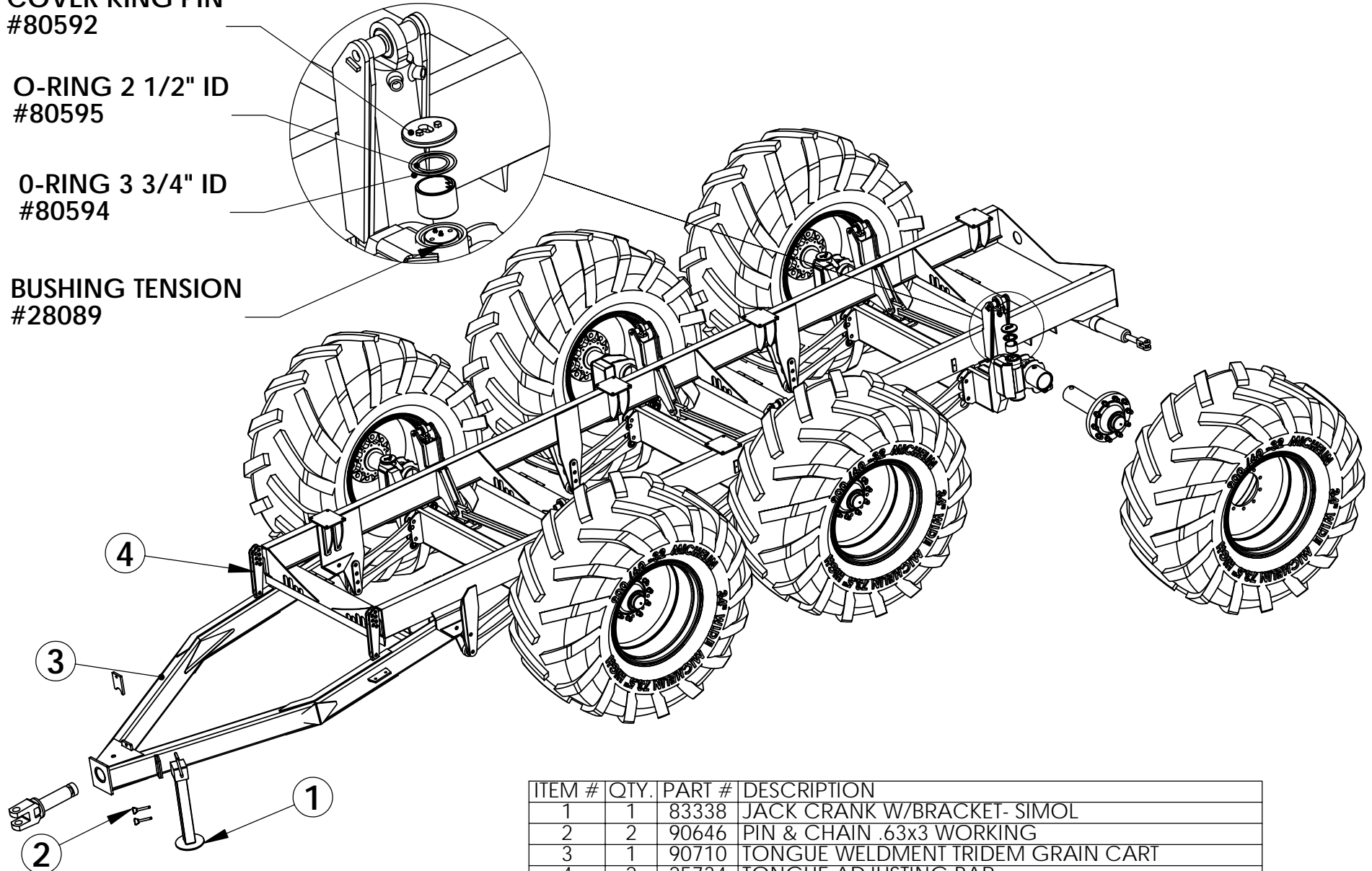
TRIDEM GRAIN CART FRAME WITH 8 WEIGH BARS

COVER KING PIN
#80592

O-RING 2 1/2" ID
#80595

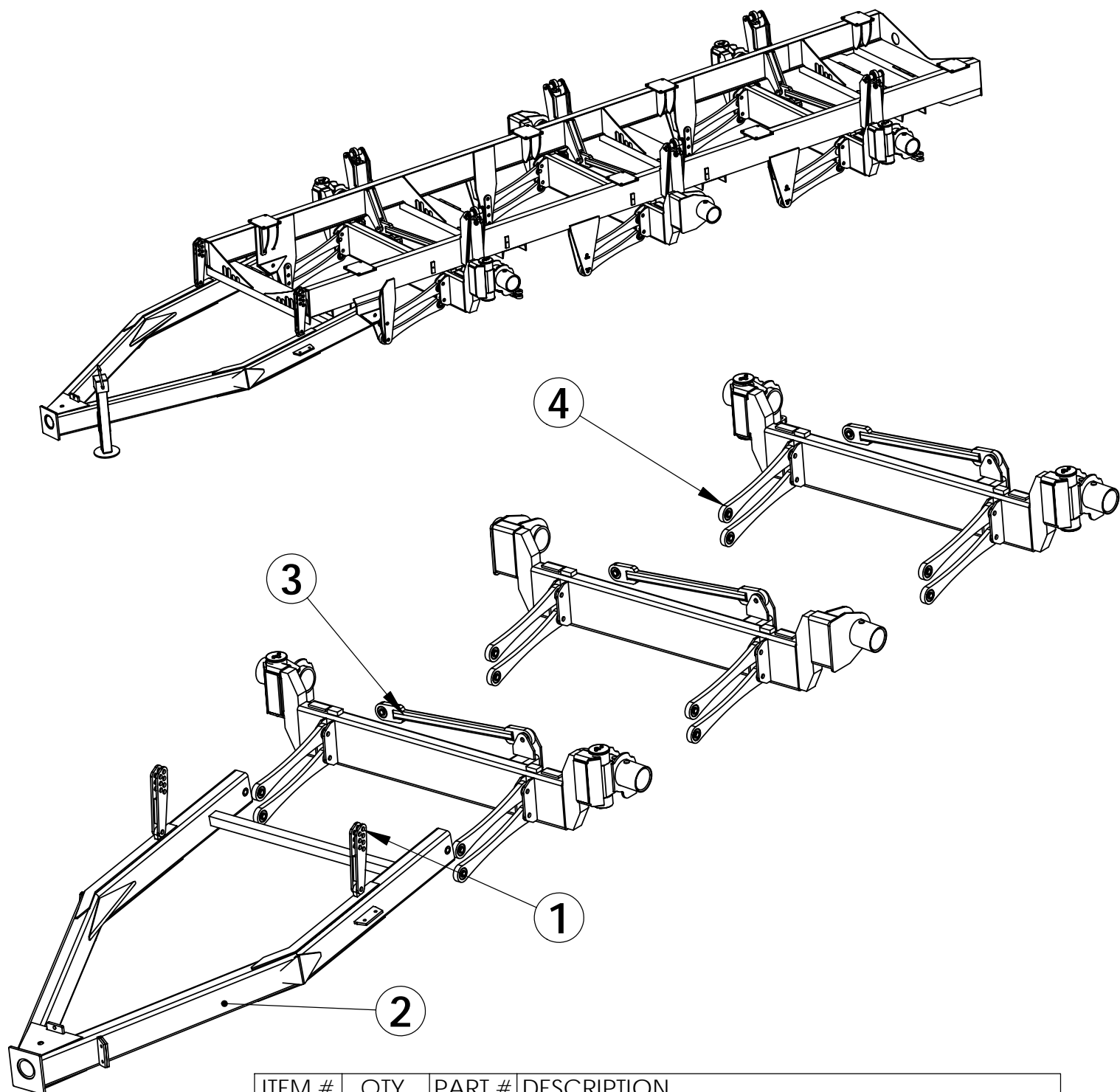
O-RING 3 3/4" ID
#80594

BUSHING TENSION
#28089



ITEM #	QTY.	PART #	DESCRIPTION
1	1	83338	JACK CRANK W/BRACKET- SIMOL
2	2	90646	PIN & CHAIN .63x3 WORKING
3	1	90710	TONGUE WELDMENT TRIDEM GRAIN CART
4	2	25734	TONGUE ADJUSTING BAR

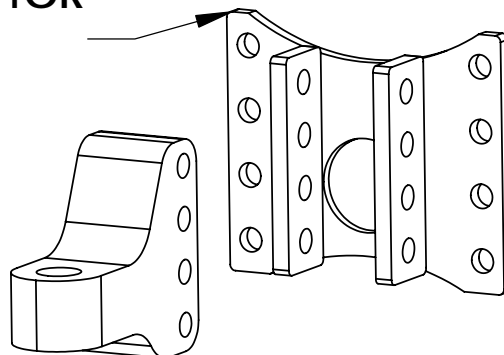
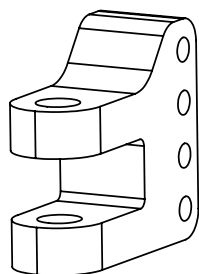
GRAIN CART TRIDEM TONGUE AXLE AND FRAME



ITEM #	QTY.	PART #	DESCRIPTION
1	2	25734	TONGUE ADJUSTING BAR
2	1	90710	TONGUE WELDMENT TRIDEM GRAIN CART
3	3	82484	SWAY BAR - GRAIN CART TRIDEM
4	12	41193	LINKAGE BAR WELDMENT

HITCHES FOR BALZER UNITS

HITCH MOUNT ADAPTOR
#92103



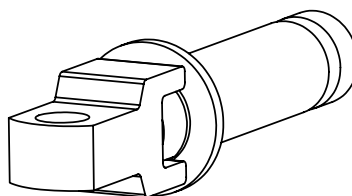
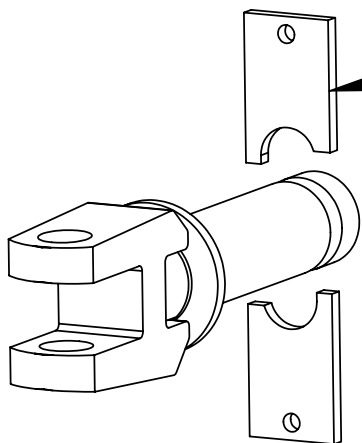
CLEVIS
NON SWIVEL

#28388 1.87"-47.5 mm
#25617 2.25"-57 mm

PINTLE
NON SWIVEL

#31963 1.87"-47.5 mm
#31962 2.25"-57 mm

RETAINING PLATE
#91779

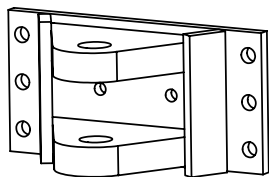


CLEVIS SWIVEL

#71497 1.87"-47.5 mm
#93150 2.25"-57 mm

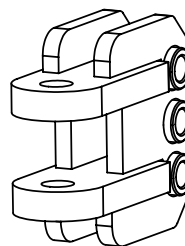
PINTLE SWIVEL

#71489 1.87"-47.5 mm
#91774 2.25"-57 mm



CLEVIS

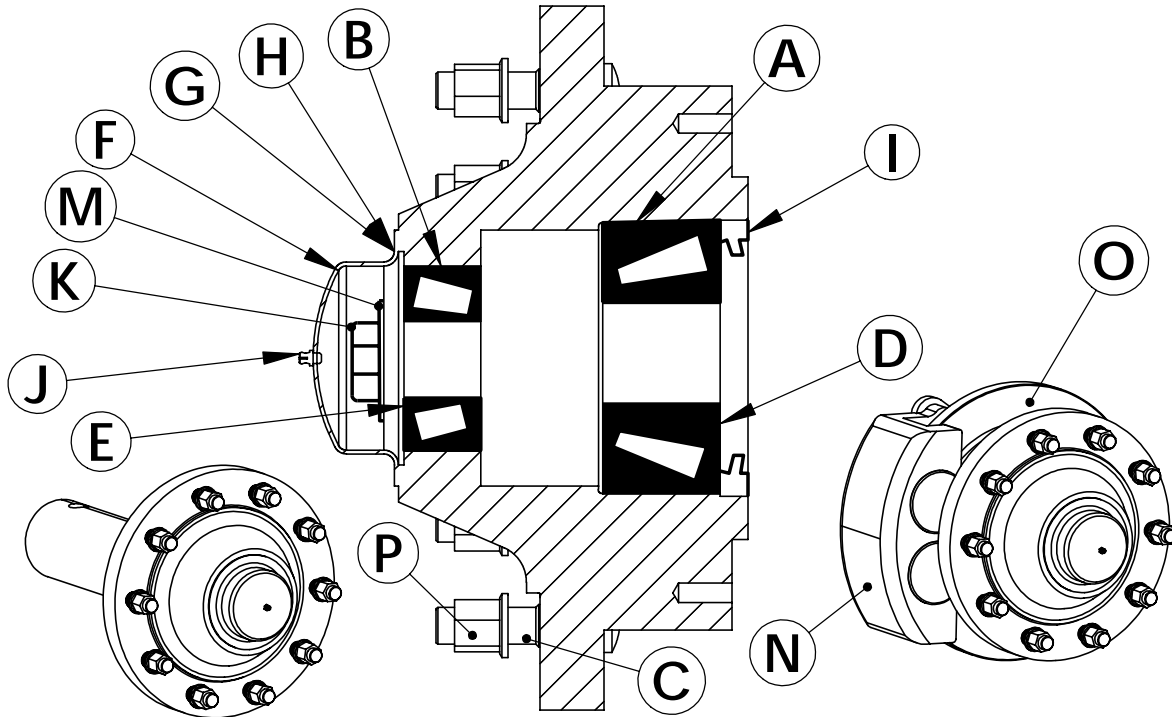
#18268 1.37"-35 mm



CLEVIS

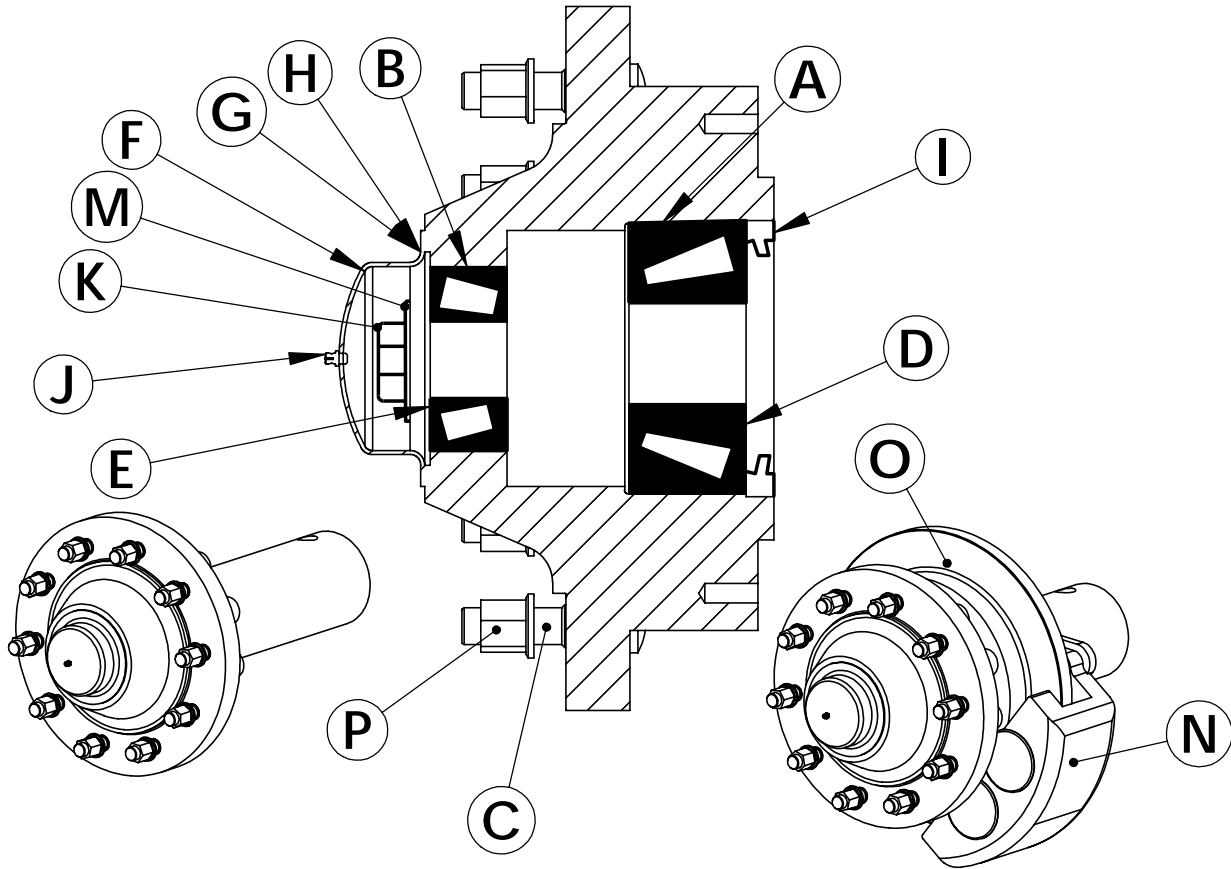
#22335 1.37"-35 mm

HUB AND SPINDLES 5" 10 BOLT 5" SOLID 13.18" BOLT CIRCLE



	DESCRIPTION	10 BOLT 5" ULTRA
	HUB & SPINDLE NO BRAKE	91834
	HUB & SPINDLE BRAKE HUB	91854
	HUB & SPINDLE BRAKE MOUNT	82189
	COMPLETE HUB ASSY	91850
	COMPLETE SPINDLE ASSY	91856
A	INNER TAPPER BEARING CUP	21651
B	OUTER TAPPER BEARING CUP	21652
C	STUDS OR BOLTS	50400
D	INNER TAPPER BEARING CONE	21622
E	OUTER TAPPER BEARING CONE	21621
F	HUB CAP	17149
G	HUB CAP GASKET	17147
H	HUB CAP BOLTS	1181
I	SEAL	50815
J	GREASE ZERK	2291
K	CASTLE NUT	50817
L	COTTER PIN/ROLLPIN	81767
M	FLAT WASHER	11814
N	BRAKE CALIPER	91853
O	BRAKE ROTOR	91859
P	LUGNUT	91849
	ROTOR BOLTS .5" x 3.5" UNF 20 GR8	2622
	BRAKE PADS	52013
	CALIPER SEAL KIT	52134
	O-RING FITTING .5" UNF 20 - .25" NPT	33541

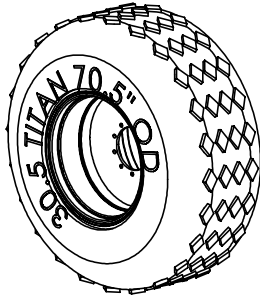
HUB AND SPINDLES 6" 10 BOLT 6 "SOLID 13.18" BOLT CIRCLE



	DESCRIPTION	10 BOLT 6" ULTRA
	HUB & SPINDLE NO BRAKE	91855
	HUB & SPINDLE BRAKE MOUNT	82192
	COMPLETE HUB ASSY	91851
	COMPLETE SPINDLE ASSY	91857
A	INNER TAPPER BEARING CUP	50819
B	OUTER TAPPER BEARING CUP	50820
C	STUDS OR BOLTS	50400
D	INNER TAPPER BEARING CONE	50821
E	OUTER TAPPER BEARING CONE	50822
F	HUB CAP	50823
G	HUB CAP GASKET	50824
H	HUB CAP BOLTS	1181
I	SEAL	50825
J	GREASE ZERK	2291
K	CASTLE NUT	50827
L	COTTER PIN/ROLLPIN	1953
M	FLAT WASHER	50828
N	BRAKE CALIPER	91853
O	BRAKE ROTOR	91858
P	LUGNUT	91849
	ROTOR BOLTS .5" X 3.5" UNF 20 GR8	2622
	BRAKE PADS	52013
	CALIPER SEAL KIT	52134
	O-RING FITTING .5" UNF 20 - .25" NPT	33541

TIRE ASSEMBLIES

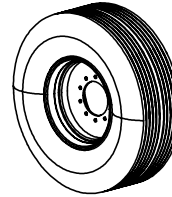
DIAMOND R3



LUG R1

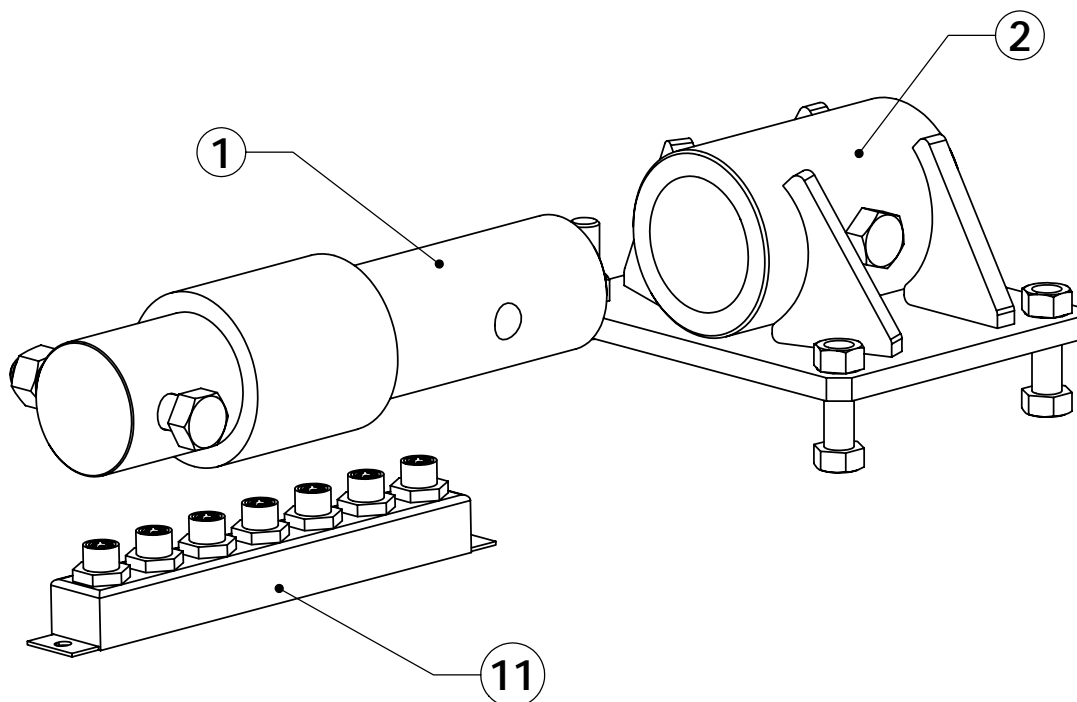


RIBBED



TIRE/ RIM	TIRE / RIM #	TIRE #	RIM #	TIRE PRESSURE
12 X3 RIBBED	18076			
18.5 - 4 BOLT - 5.50"BC	17511	17512	17513	
20.5 x 8 - 5 BOLT - 4.50"BC	26737	26733	26734	
P205/75R15 - 5 BOLT - 6.00"BC	31530		31529	
14 x 7.5 - 6 BOLT	27889			
11L x 15 - 8 PLY - 6 BOLT	31006			
9.5L x 15 - 8 PLY - 6 BOLT	65670		65671	
15 x 22.5 SUPER RIGR - 8 BOLT - 8.00" BC	62061	92390	92391	
15 x 22.5 SUPER RIGR - 10 BOLT - 11.25" BC	65561	92390	65562	
18.4 x 26 R3 - 10 BOLT - 11.25" BC	20283	20284	20285	23
18.4 x 26 R3 - 10 BOLT - 13.19" BC	28205	20284	27676	23
21.5 x 16.1 RIBBED - 8 BOLT - 8.00" BC - 18.00" WHEEL	26633	11472	26634	32
21.5 x 16.1 RIBBED - 10 BOLT - 11.25" BC - 18.00" WHEEL	90128	31432	90129	32
23.1 x 26 R3 - 10 BOLT - 11.25"BC	18531	16515	16516	32
23.1 x 26 R3 - 10 BOLT - 13.19"BC	28796	16515	28797	32
28L x 26 R3 - 10 BOLT - 11.25"BC	17610	17611	17612	26
28L x 26 R3 - 10 BOLT - 13.19"BC	28386	17611	28387	26
28LR26 R3 - 10 BOLT - 13.19"BC	91882	92639	28387	54
30.5 x 32 R1 - 10 BOLT -13.19"BC	91340	91341	27385	33
30.5 x 32 R3 - 10 BOLT -13.19"BC	27674	22692	27385	33
30.5LR32 R1 - 10 BOLT -13.19"BC	91586	94587	27385	52
30.5LR32 R3 - 10 BOLT -13.19"BC	92640	92641	27385	52
445/65 R22.5 L1 8 BOLT - 8.00"BC	83780	91889	20033	
445/65 R22.5 L1 10 BOLT - 11.25"BC	14246	91889	91884	
445/65 R22.5 L1 10 BOLT - 13.19"BC	92880	91889	92881	
600/50 22.5 - 8 BOLT - 8.00"BC	91777	25551	91888	38
600/50 22.5 - 10 BOLT - 11.25"BC	25550	25551	25552	38
850/50 30.5 - 10 BOLT - 11.25"BC	29978	40977	29999	37
850/50 30.5 - 10 BOLT - 11.25"BC - 8 PLY	91128	91129	29999	37
850/50 30.5 - 10 BOLT - 13.19"BC - 10 PLY	40976	40977	40978	37
900/60 32 R1 - 10 BOLT - 13.25"BC - 0" OFFSET	91900	91901	27385	35

WEIGH BAR ASSEMBLY

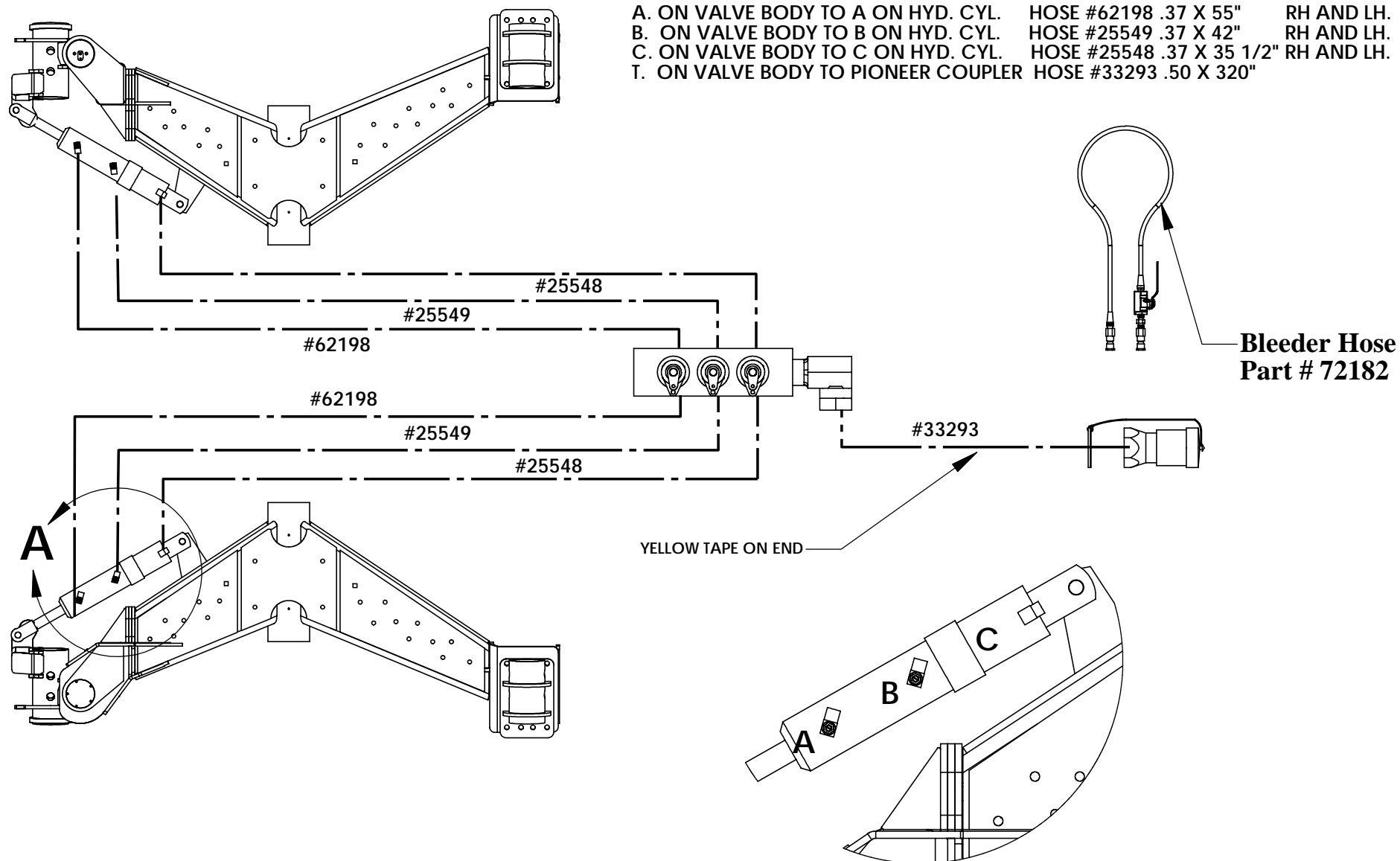


ITEM #	QTY.	PART #	DESCRIPTION
1	1	84544	WEIGH BAR
2	1	84513	MOUNTING BRACKET, LONG SHAFT
3	4	2546	NUT TOP LOCK .62" UNC
4	4	1291	BOLT HEXHEAD .62" x 2" UNC GR5
5	2	2593	NUT TOPLOCK .75" UNC
6	2	1320	BOLT HEXHEAD .75" x 5" UNC GRD5
7	1	37694	BRACKET FOR INDICATOR MOUNT
8	1	37693	POWER CABLE ASSEMBLY
9	1	84543	INDICATOR 640M
10	1	84542	CABLE ASSEMBLY 50' LONG J-BOX to MONITOR
11	1	84541	J-BOX ASSEMBLY

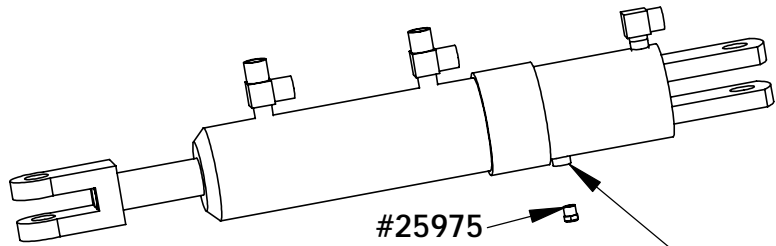
HYD STEERING TANDEM

HOSE DESCRIPTIONS

- A. ON VALVE BODY TO A ON HYD. CYL. HOSE #62198 .37 X 55" RH AND LH.
- B. ON VALVE BODY TO B ON HYD. CYL. HOSE #25549 .37 X 42" RH AND LH.
- C. ON VALVE BODY TO C ON HYD. CYL. HOSE #25548 .37 X 35 1/2" RH AND LH.
- T. ON VALVE BODY TO PIONEER COUPLER HOSE #33293 .50 X 320"

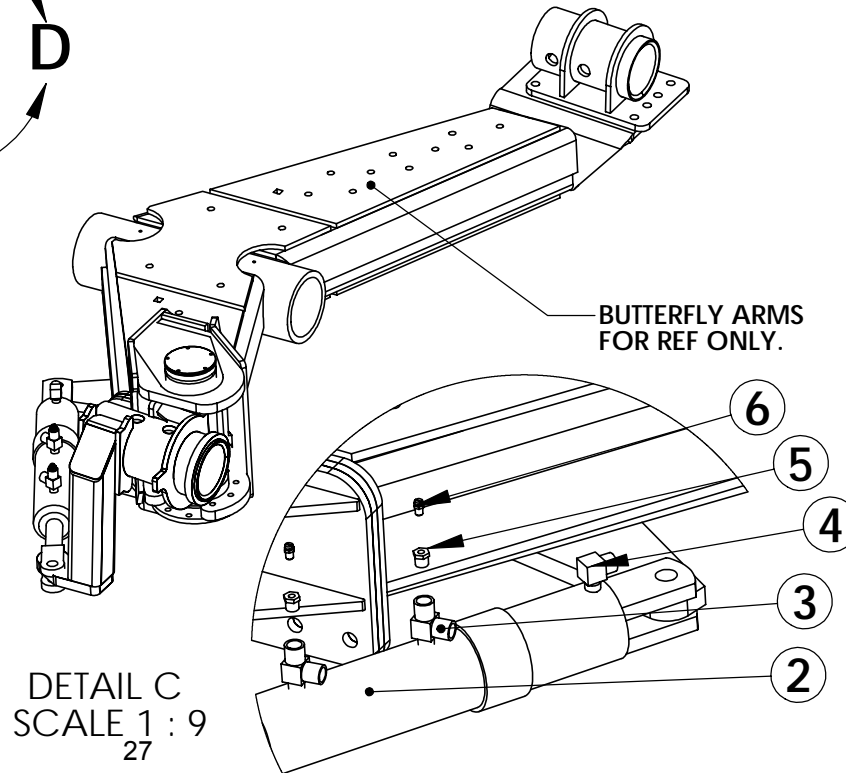
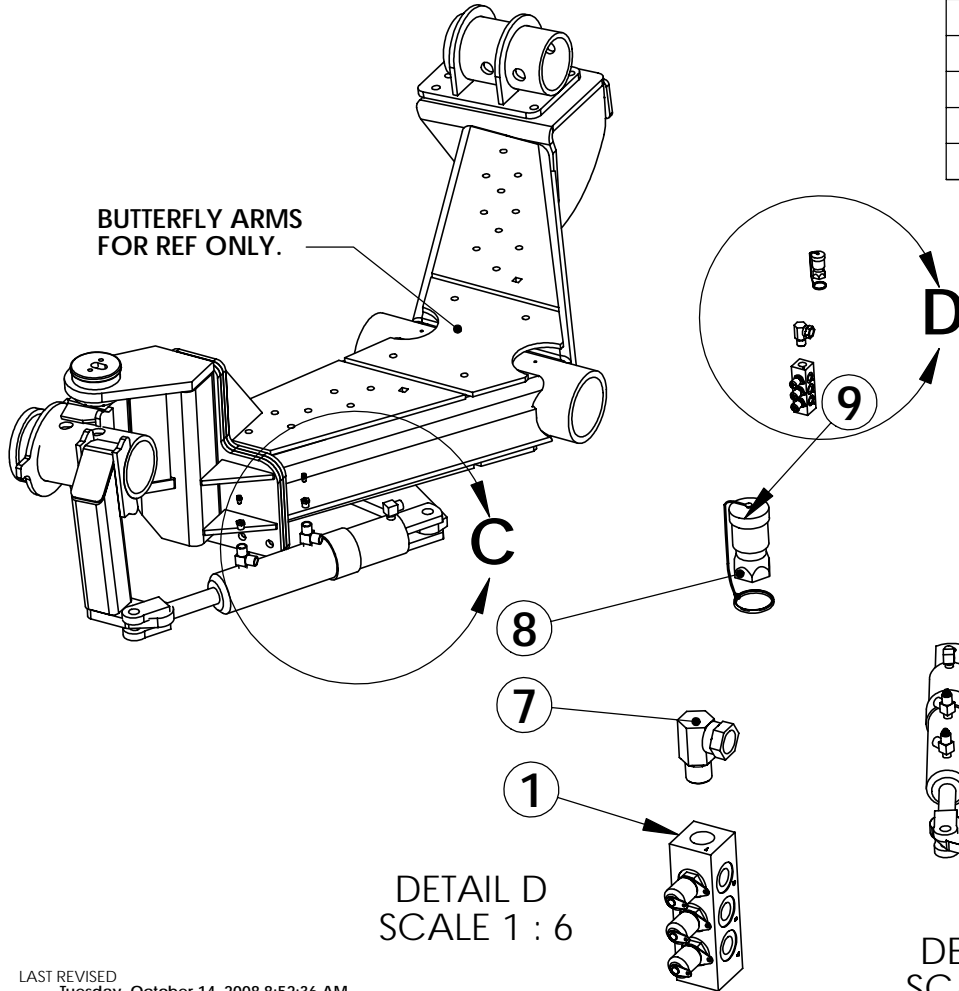


HYD STEERING TANDEM

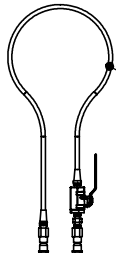


BREATHER VALVE LOCATED ON BOTTOM SIDE OF CYLINDER REMOVE AND CLEAN WITH SOLVENT AND COMPRESSED AIR DURING END OF SEASON LUBRICATION

ITEM #	QTY.	PART #	DESCRIPTION
1	1	37520	HYD BLOCK STEER W/3 1620TEST FTGS
2	2	40761	HYD CYL BOREX STROKEX ROD- STEERING
3	4	25372	HYD TEE .37NPTMX .37NPTFMX .37NPTFM (5602-6)
4	2	8216	HYD ELBOW .37NPTMX .37NPTFM 90DEG (5502-6)
5	4	25467	HYD REDUCER .12NPTFMX .37NPTM (5406-6-2)
6	4	25466	HYD PLUG BLEEDER .12" NPTM
7	1	33166	HYD ELBOW .50NPTMX .50NPTFMS 90DEG (1501-8-8)
8	1	11023	HYD MISC PIONEER MALE / .50NPTFM (S71-4)
9	1	28392	HYD MISC PIONEER DUST CAP (S49-4)
10	1	33293	HYD HOSE .50X .50NPTMX .50NPTMSX 320"LG
11	2	62198	HYD HOSE .37X .37NPTMX .56ORMSX 37"LG
12	2	25548	HYD HOSE .37X .37NPTMX .56ORMSX 35"LG
13	2	25549	HYD HOSE .37X .37NPTMX .56ORMSX 42"LG
14	1	84111	80" BUTTERFLY ARMS LH, 5" SOLID SP,
15	1	84110	80" BUTTERFLY ARM RH , 5" SOLID SP



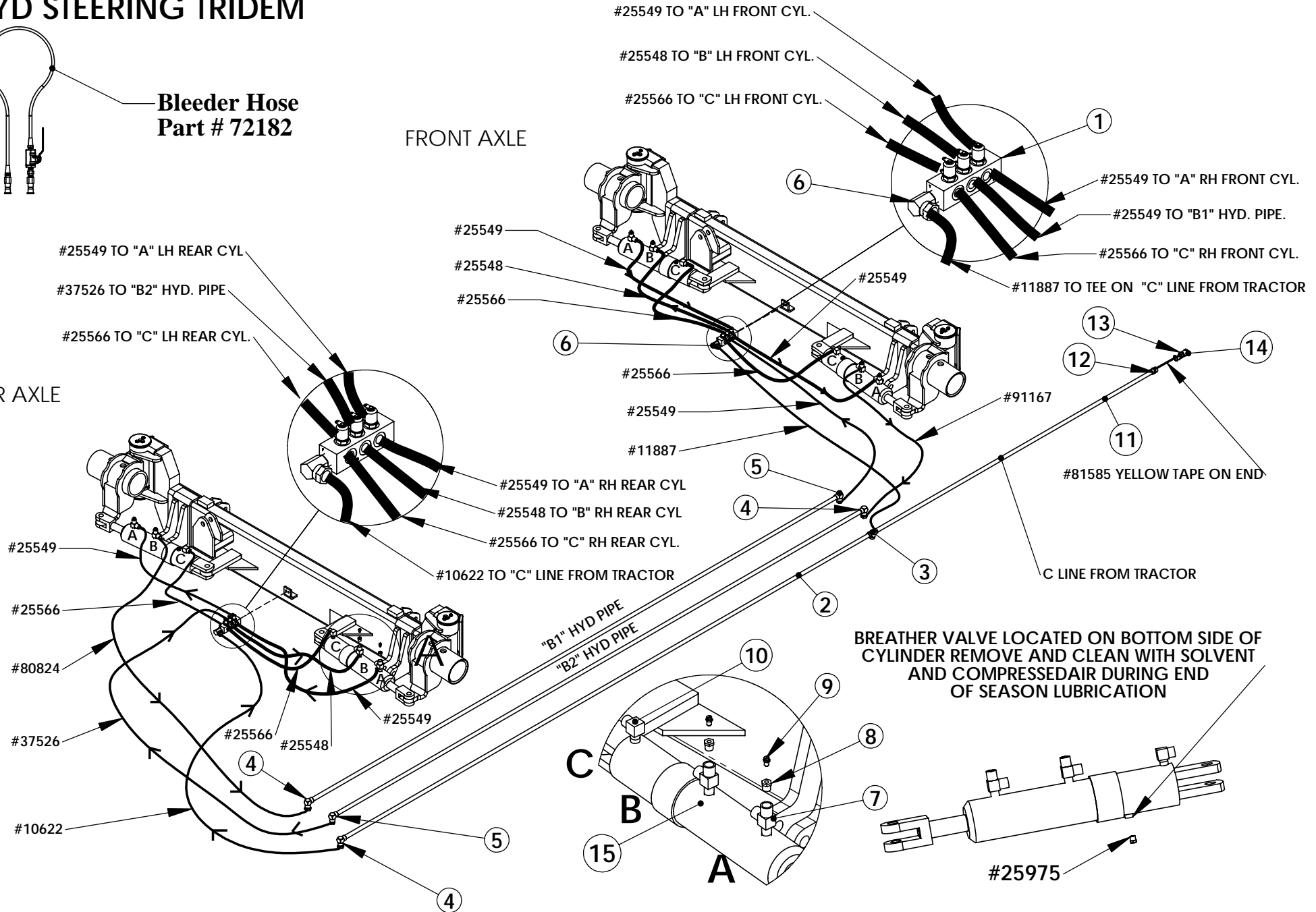
HYD STEERING TRIDEM



**Bleeder Hose
Part # 72182**

REAR AXLE

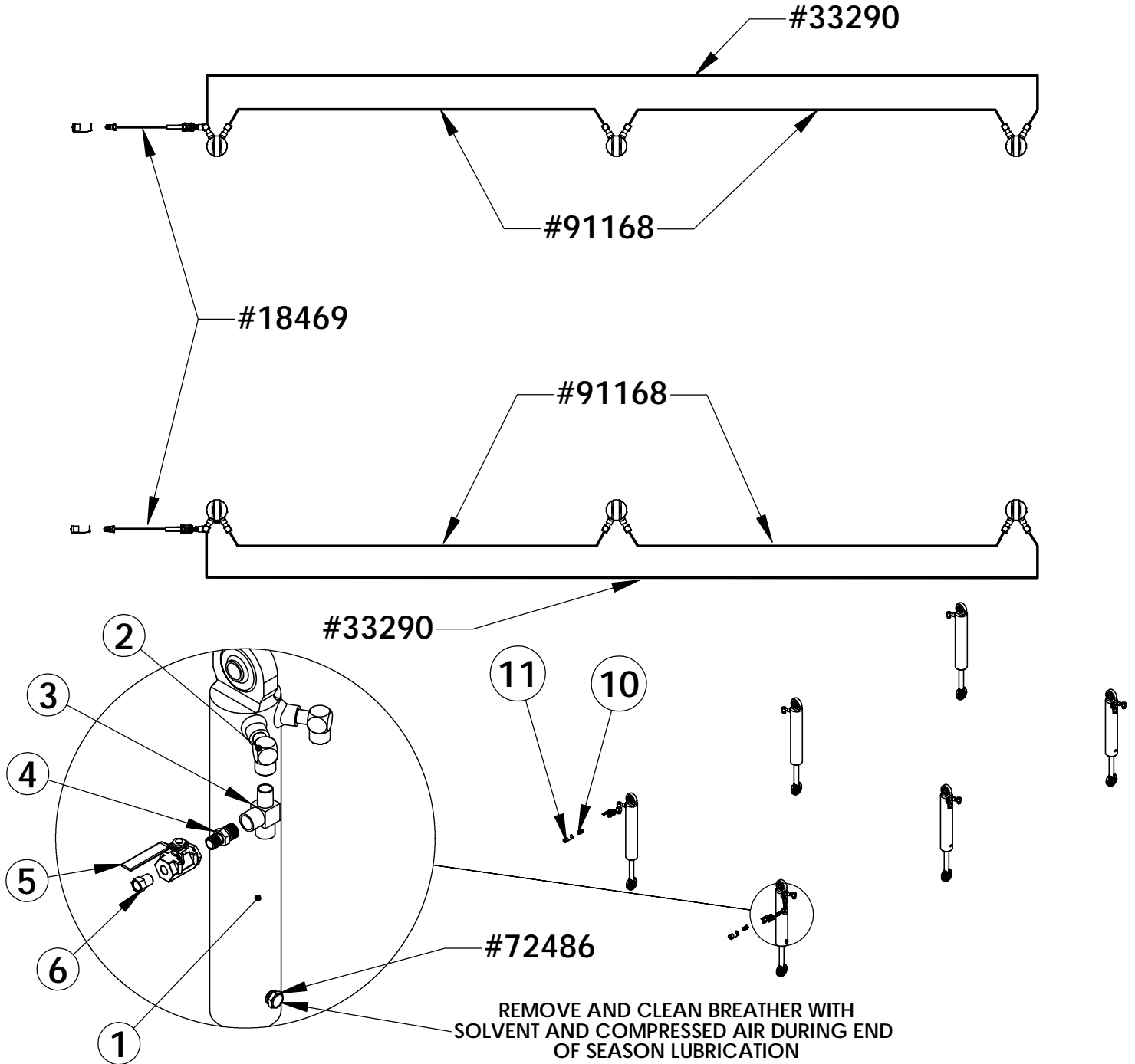
FRONT AXLE



HYD STEERING TRIDEM

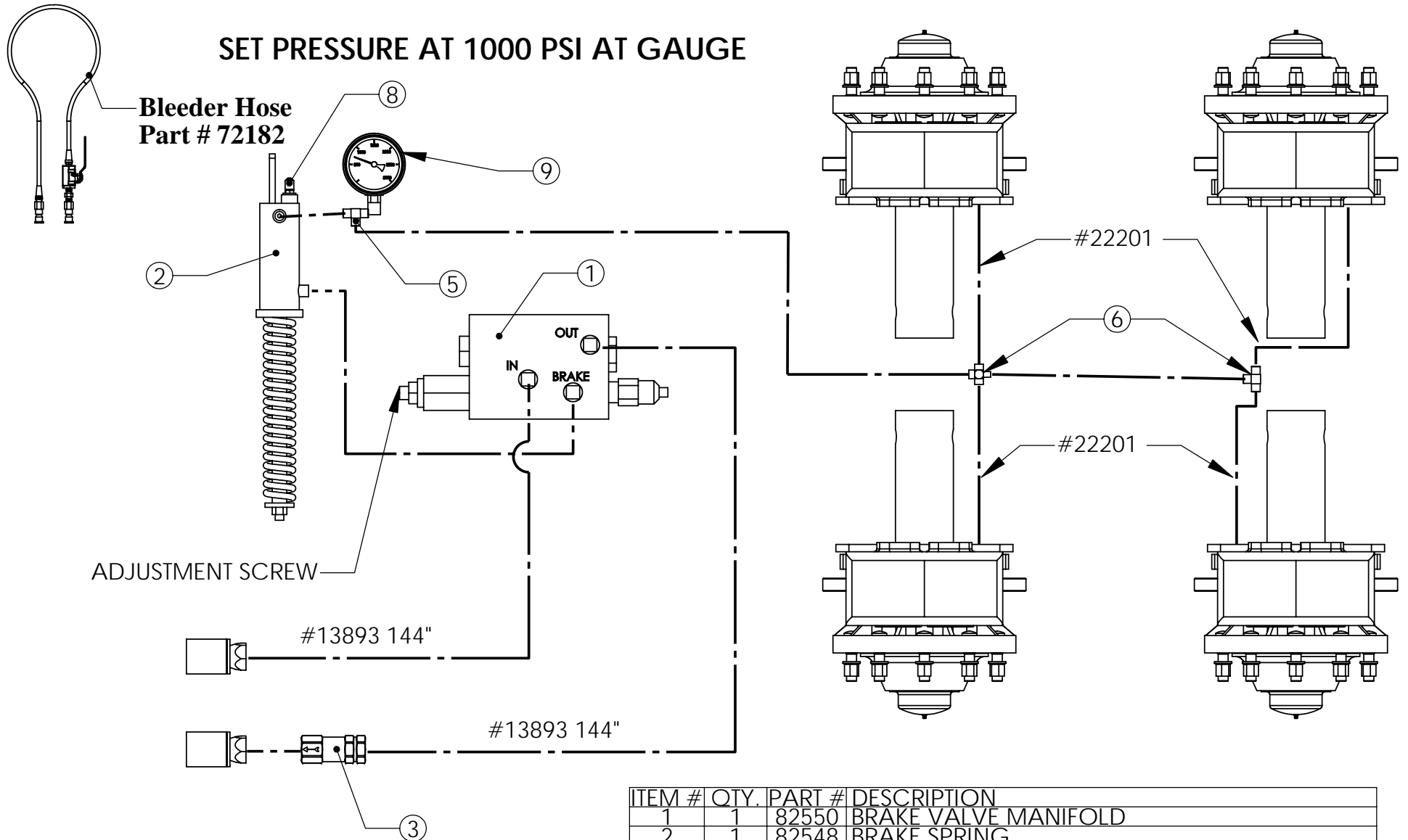
ITEM #	QTY.	PART #	DESCRIPTION
1	2	37520	HYD BLOCK STEER W/3 1620TEST FTGS
2	3	P0.5X080X180	P0.5X080X180"
3	1	8603	HYD TEE .50NPTFMX .50NPTFMX .50NPTFM (5605-8)
4	3	71704	HYD ELBOW .50NPTFMX .50NPTFMS 90DEG (1502 8-8)
5	2	71703	HYD ELBOW .37NPTFMSX .50NPTFM 90DEG (1502-8-6)
6	2	33166	HYD ELBOW .50NPTMX .50NPTFMS 90DEG (1501-8-8)
7	8	25372	HYD TEE .37NPTMX .37NPTFMX .37NPTFM (5602-6)
8	8	25467	HYD REDUCER .12NPTFMX .37NPTM (5406-6-2)
9	8	25466	HYD PLUG BLEEDER .12" NPTM
10	4	8216	HYD ELBOW .37NPTMX .37NPTFM 90DEG (5502-6)
11	1	P0.5X080X84	P0.5X080X160"
12	1	8599	HYD COUPLER .50NPTFMX .50NPTFM (5000-8)
13	1	11023	HYD MISC PIONEER MALE / .50NPTFM (S71-4)
14	1	28392	HYD MISC PIONEER DUST CAP (S49-4)
15	4	40761	HYD CYL BOREX STROKEX ROD- STEERING
16	4	25566	HYD HOSE .37X .37NPTMX .56ORMSX 29"LG
17	5	25549	HYD HOSE .37X .37NPTMX .56ORMSX 42"LG
18	2	25548	HYD HOSE .37X .37NPTMX .56ORMSX 35"LG
19	1	11887	HYD HOSE .50X .50NPTMX .50NPTMSX 39"LG
20	1	91167	HYD HOSE .50X .37NPTMSX .50NPTMX 29"LG
21	1	81585	HYD HOSE .50X .50NPTMX .50NPTMSX 150"LG
22	1	10622	HYD HOSE .50X .50NPTMX .50 NPTMSX 39"LG
23	1	80824	HYD HOSE .37X .37NPTMX .50NPTMX 72"LG
24	1	37526	HYD HOSE .37X .37NPTMX .56ORMSX 72"LG

HYD LOAD LEVELING TRIDEM



ITEM #	QTY	PART #	DESCRIPTION
1	6	41571	HYD CYLINDER 3.50" x 16"
2	12	8613	HYD ELBOW .50NPTMX .50NPTFM 90 DEG (5502-8)
3	2	11543	HYD TEE .50NPTMX .50NPTFMX .50NPTFM (5602-8)
4	2	21181	HYD NIPPLE .37NPTMX .50NPTM (5404-8-6)
5	2	25470	HYD BALL VALVE .37" NPTM
6	2	9862	HYD REDUCER .25" NPTFM x .37" NPTM (5406-6-4)
7	4	91168	HYD HOSE .50X .50NPTMX .50NPTMSX 105"LG
8	2	33290	HYD HOSE .50X .50NPTMX .50NPTMSX 200"LG
9	2	18469	HYD HOSE .25X .25NPTMSX .50NPTMX 290"LG.
10	2	11023	HYD MISC PIONEER MALE / .50NPTFM (S71-4)
11	2	28392	HYD MISC PIONEER DUST CAP (S49-4)

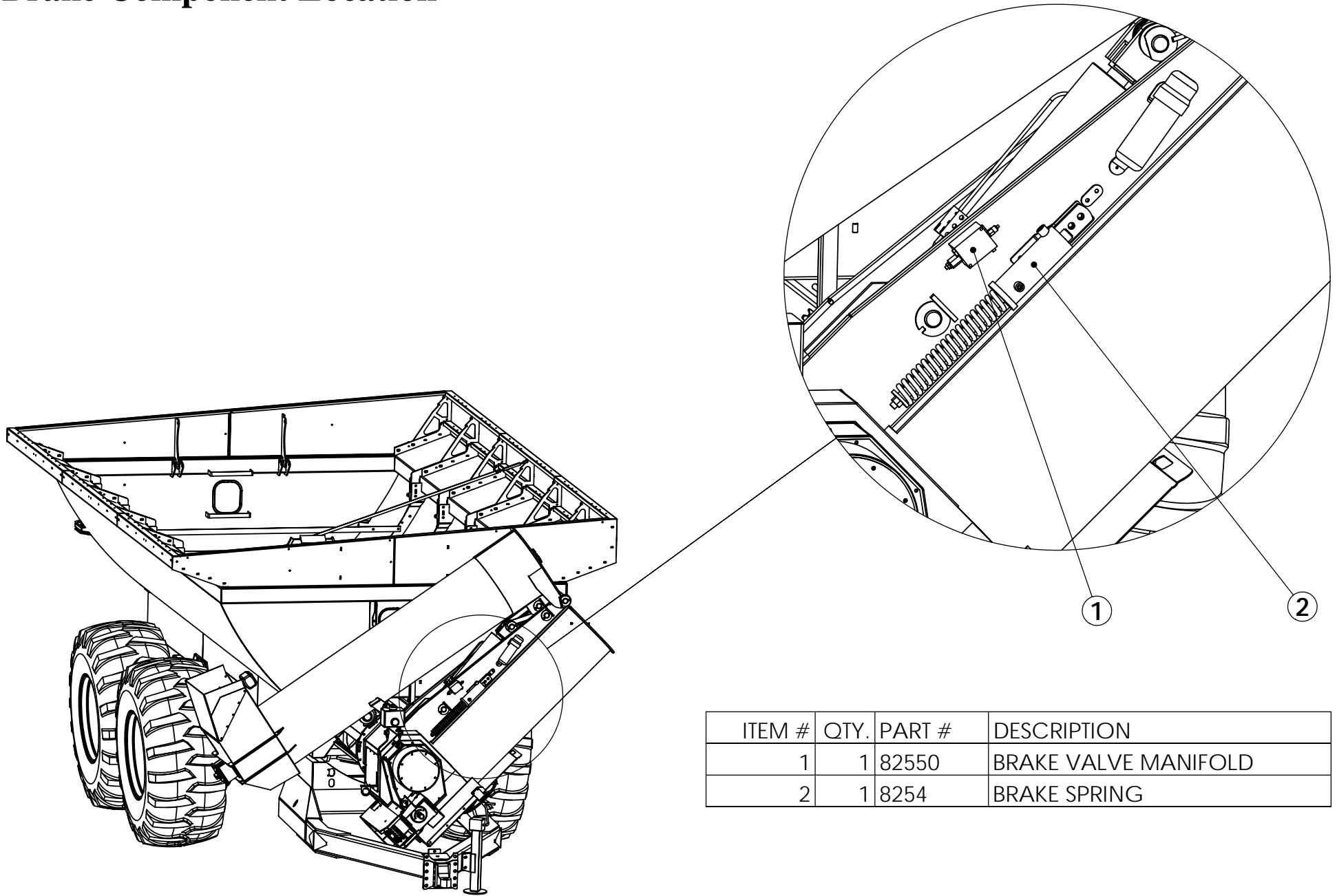
HYD BRAKE RETURN



ITEM #	QTY.	PART #	DESCRIPTION
1	1	82550	BRAKE VALVE MANIFOLD
2	1	82548	BRAKE SPRING
3	1	10459	HYD VALVE CHECK .50" NPTFM x .50" NPTFM
5	2	9957	TEE .25FP x .25FP x .25FP
6	1	36069	CROSS (3).25FPx (1).25FP (5655-4)
7	2	8634	COUPLER QUICK .5NPT M&F SET
8	1	37521	FITTING TST PNT w/ METAL CAP
9	1	8638	GAUGE PRESSURE

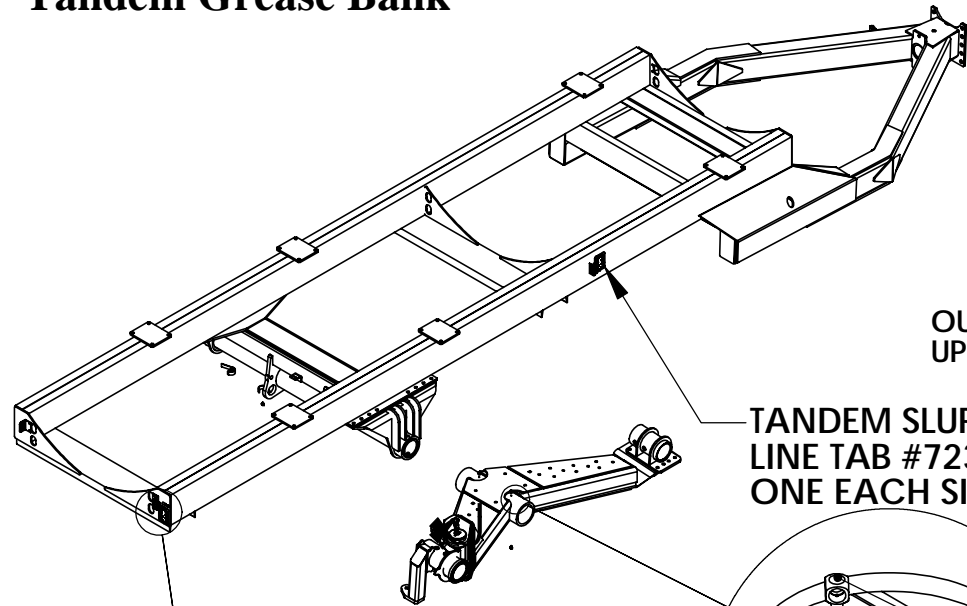
Parts

Brake Component Location

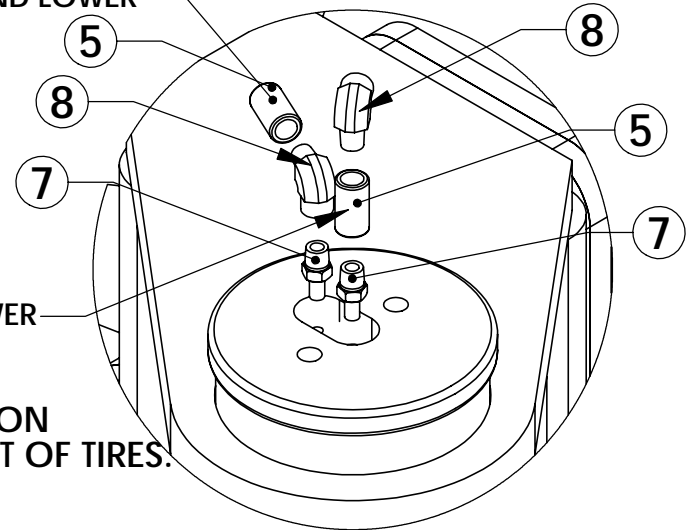


ITEM #	QTY.	PART #	DESCRIPTION
1	1	82550	BRAKE VALVE MANIFOLD
2	1	8254	BRAKE SPRING

Tandem Grease Bank

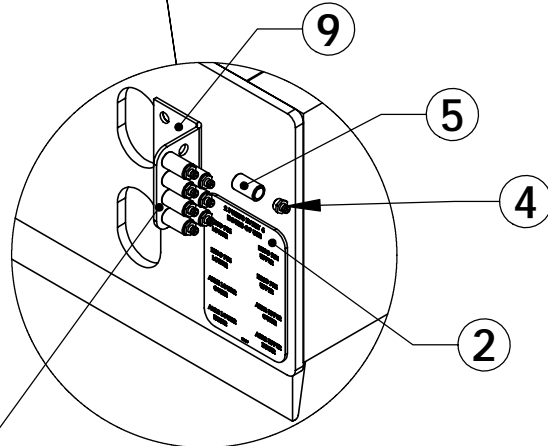
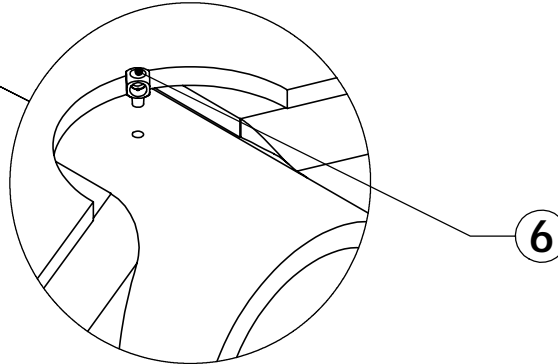


INNER KINGPIN
UPPER AND LOWER



OUTER KINGPIN
UPPER AND LOWER

TANDEM SLURRY GREASE
LINE TAB #72333 LOCATION
ONE EACH SIDE IN FRONT OF TIRES.



TANDEM GRAIN CART GREASE
LINE TAB #72334 LOCATION
ONE EACH SIDE REAR.

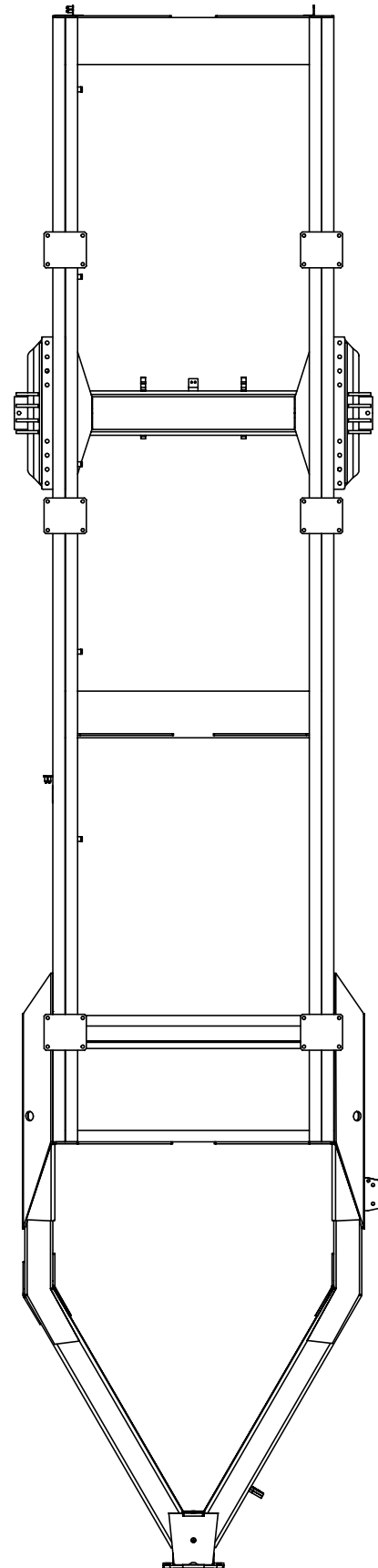
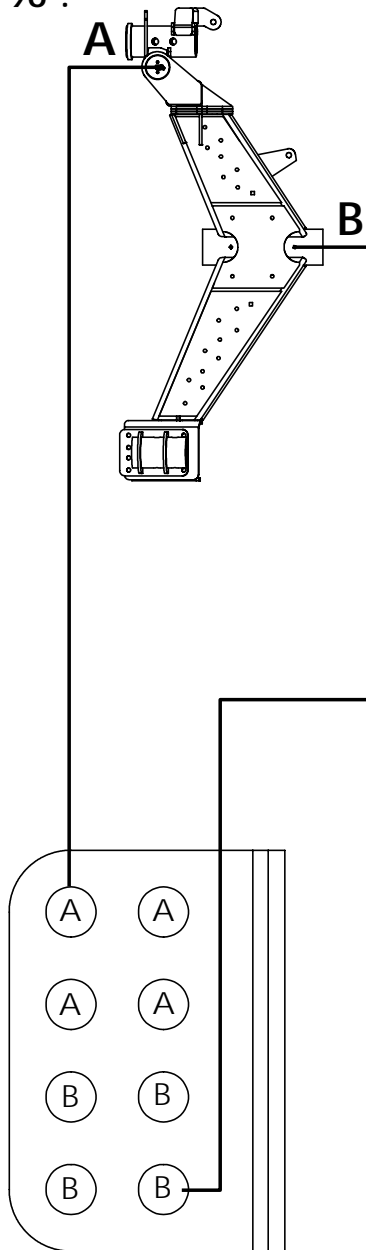
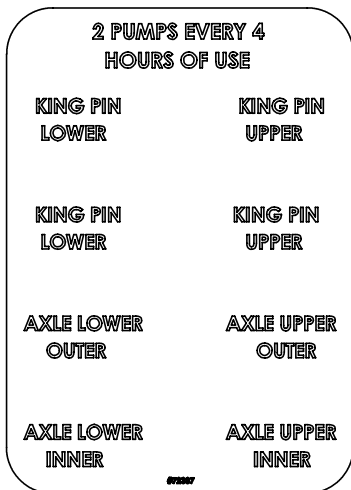
ITEM NO.	QTY.	PART NO.	DESCRIPTION
1	8	72408	HOSE GREASE LINE .12NPTM" x .12NPTM" x 96"
2	2	72337	DECAL GREASE LINE TANDEM
3	8	72412	HOSE GREASE LINE .12NPTM" x .12NPTM" x 144"
4	16	2291	ZERK .12" -27 NPT -STRAIGHT
5	16	12333	COUPLER PIPE 1/8" NPT
6	8	72348	ELBOW GREASE LINE .25-28 MALE X .12NPT FEMALE
8	8	22334	HYD COUPLER .12NPTFM X .12NPTMS
7	16	72351	ADAPTOR .25-28UNFMX.12NPTM
8	16	72349	HYD ELBOW .12NPTFM X .12NPTM X 90 DEG (5502-2)
9	2	72334	TAB, GREASE 8 LINES TANDEM GRAIN CART

TANDEM GRAIN CART GREASE LINE.

HOSE DESCRIPTIONS.

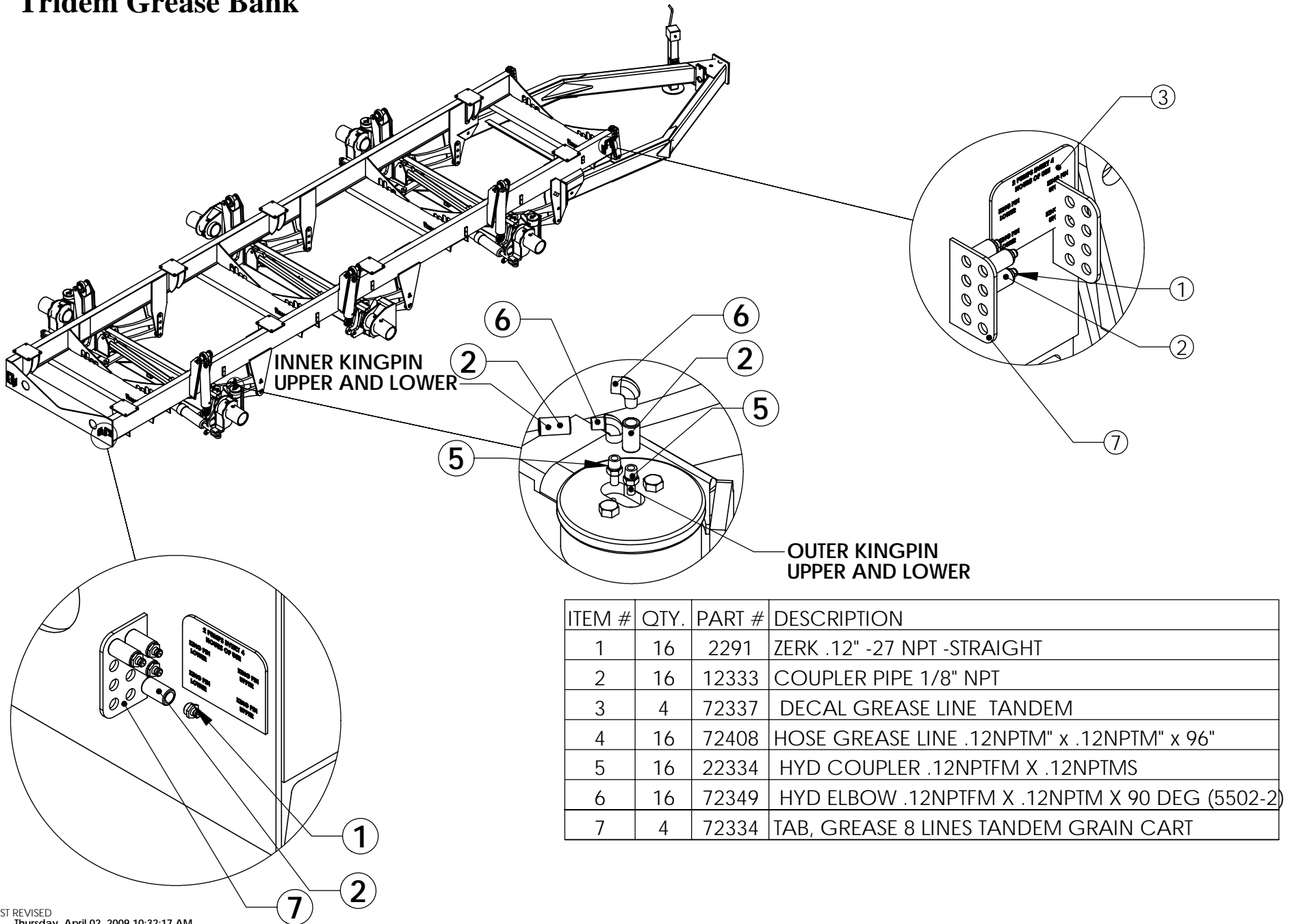
A. HOSE GREASE LINE #72412 X 144".
(4 PER SIDE)

B. HOSE GREASE LINE #72408 X 96".
(4 PER SIDE)



Parts

Tridem Grease Bank



ITEM #	QTY.	PART #	DESCRIPTION
1	16	2291	ZERK .12" -27 NPT -STRAIGHT
2	16	12333	COUPLER PIPE 1/8" NPT
3	4	72337	DECAL GREASE LINE TANDEM
4	16	72408	HOSE GREASE LINE .12NPTM" x .12NPTM" x 96"
5	16	22334	HYD COUPLER .12NPTFM X .12NPTMS
6	16	72349	HYD ELBOW .12NPTFM X .12NPTM X 90 DEG (5502-2)
7	4	72334	TAB, GREASE 8 LINES TANDEM GRAIN CART

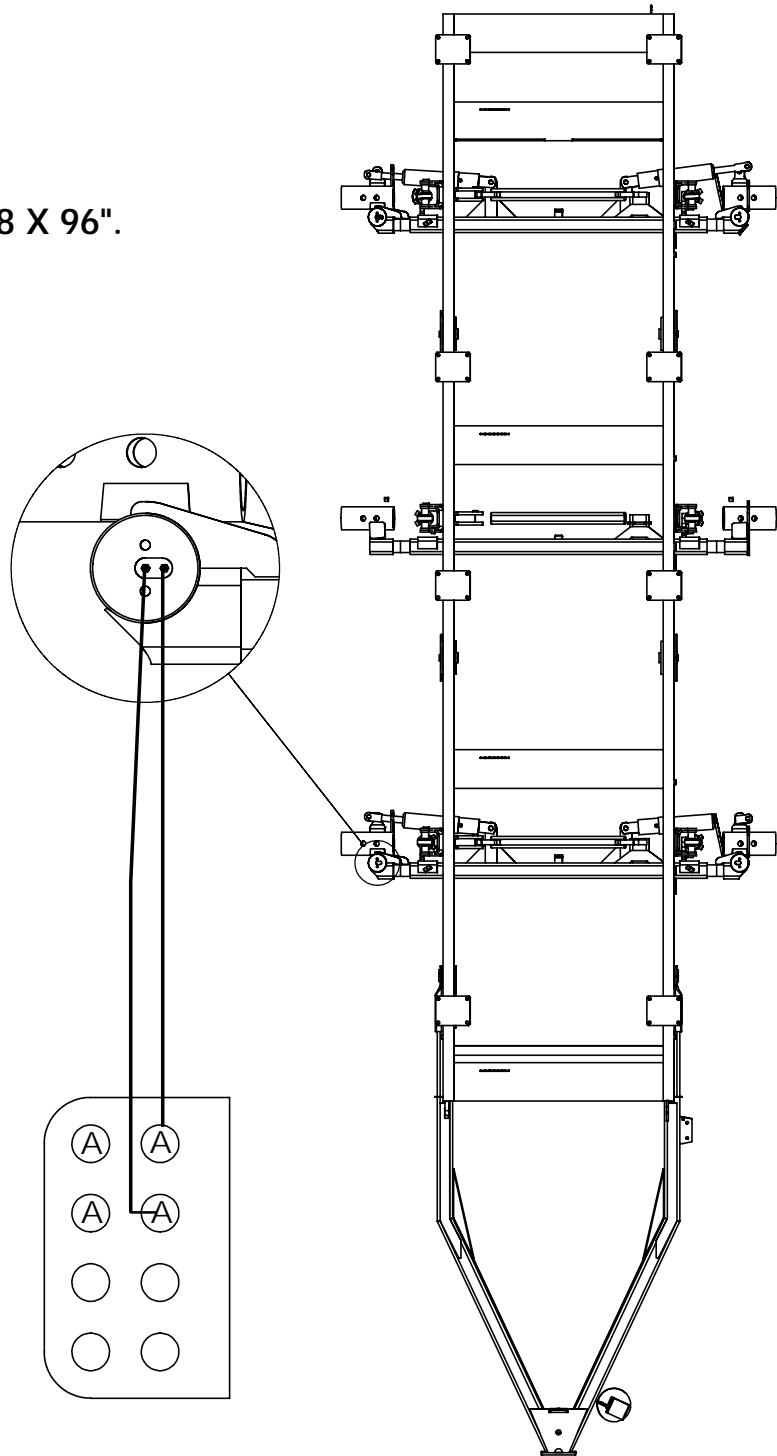
TRIDEM GRAIN CART GREASE LINE.

HOSE DESCRIPTIONS.

A. HOSE GREASE LINE #72408 X 96".
(4 PER CORNER)

2 PUMPS EVERY 4
HOURS OF USE

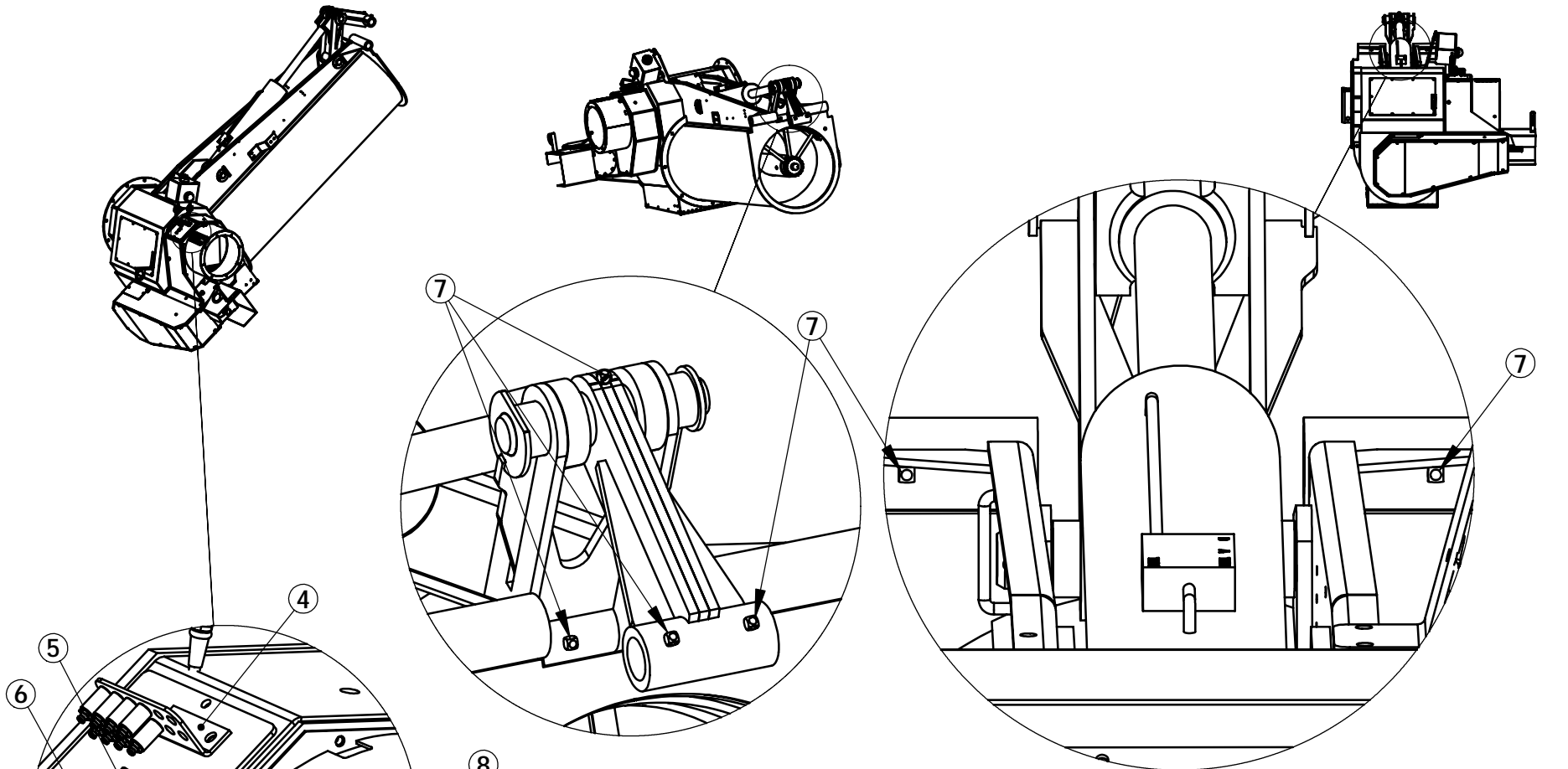
KING PIN LOWER	KING PIN UPPER
KING PIN LOWER	KING PIN UPPER



Parts

Upper Vertical Auger Grease Bank

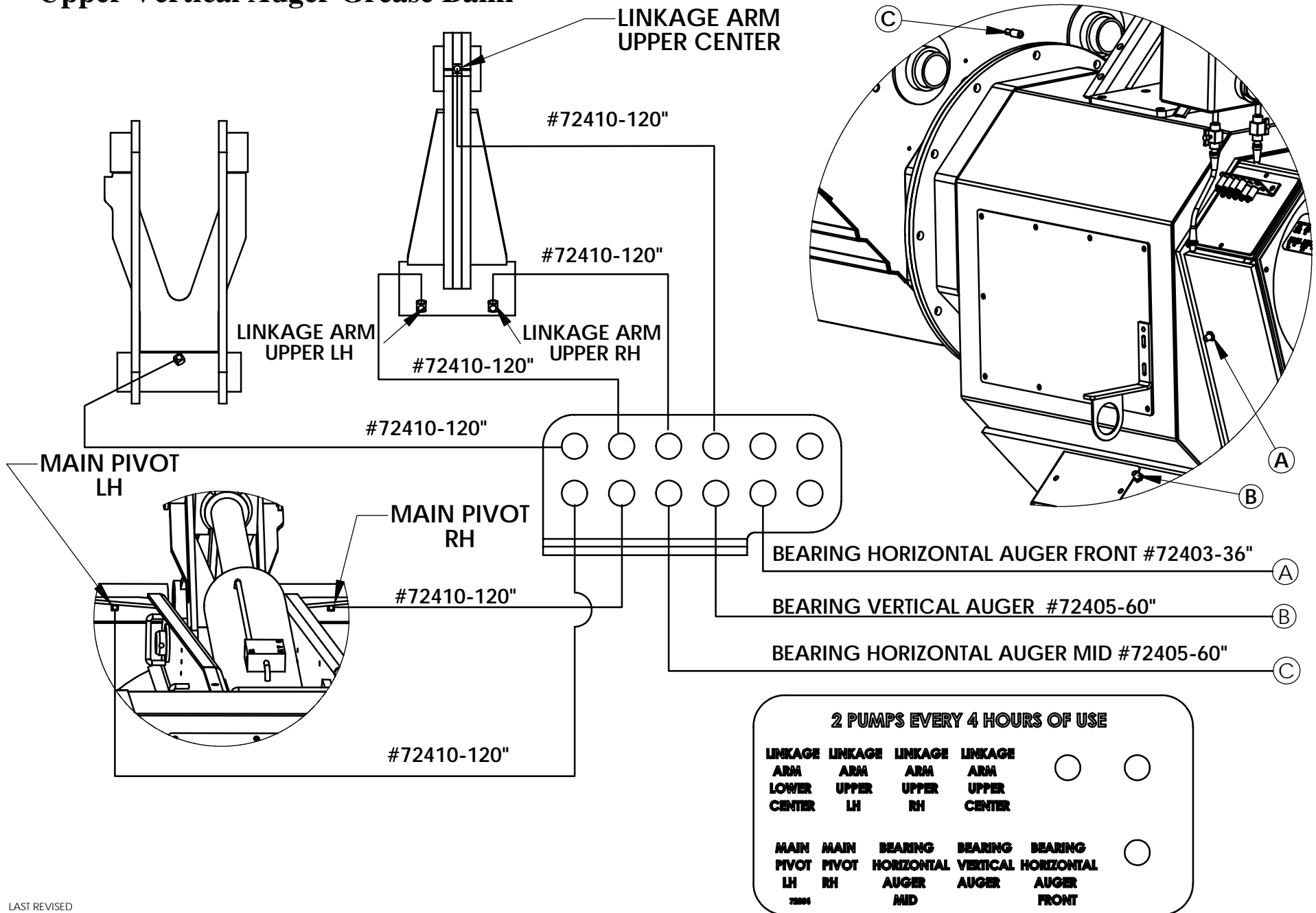
BALZER^{INC}



ITEM #	QTY.	PART #	DESCRIPTION
1	1	72403	HOSE GREASE LINE .12NPTM" x .12NPTM" x 36"
2	2	72405	HOSE GREASE LINE .12NPTM" x .12NPTM" x 60"
3	6	72410	HOSE GREASE LINE .12NPTM" x .12NPTM" x 120"
4	1	72335	TAB, GREASE 12 LINES FORMED
5	9	12333	COUPLER PIPE 1/8" NPT
6	9	2291	ZERK .12" -27 NPT -STRAIGHT
7	6	72348	ELBOW GREASE LINE .25-28 MALE X .12NPT FEMALE
8	1	72354	DECAL GREASE LINE GRAIN CART AUGER

Parts

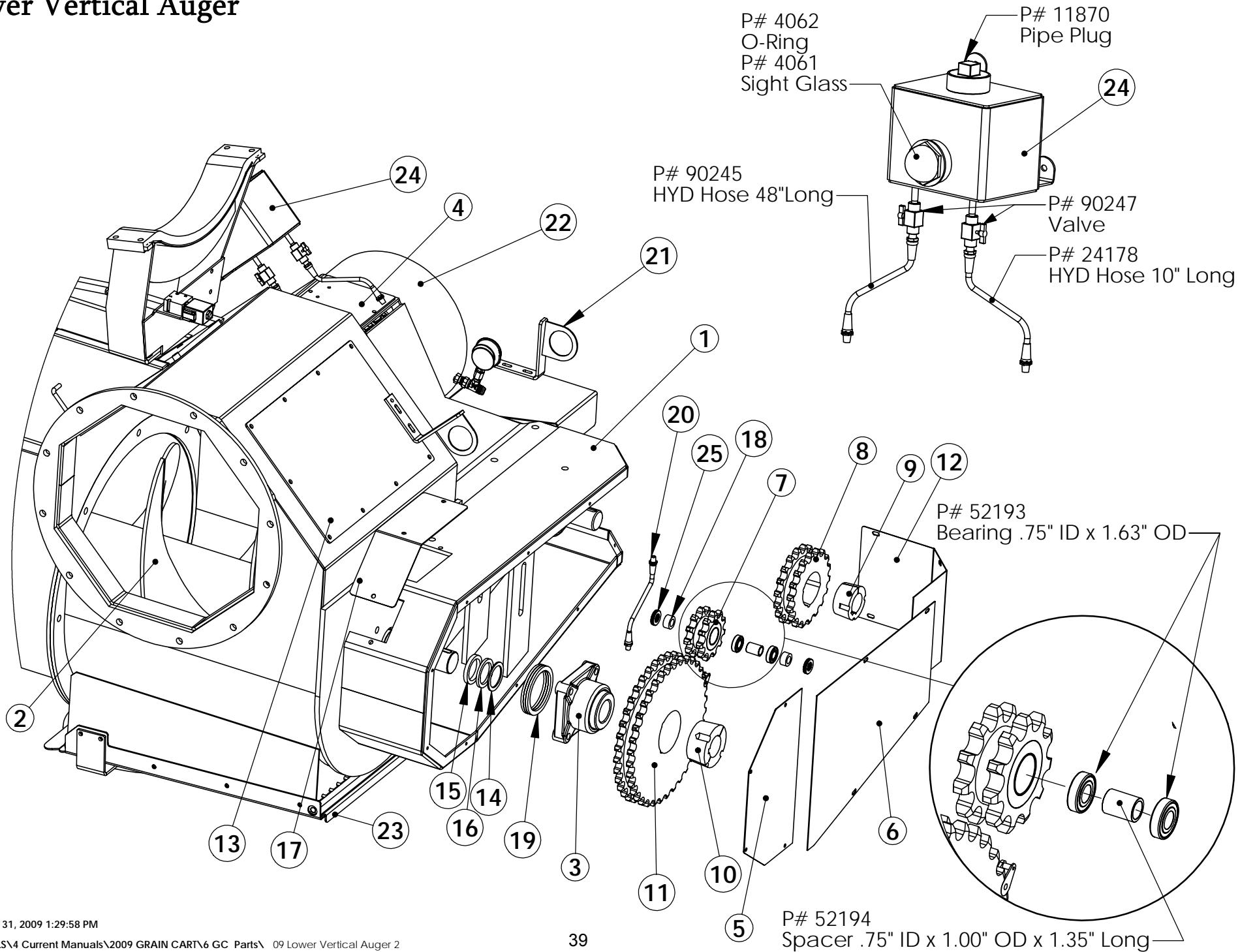
Upper Vertical Auger Grease Bank



Parts

Lower Vertical Auger

BALZER_{INC}

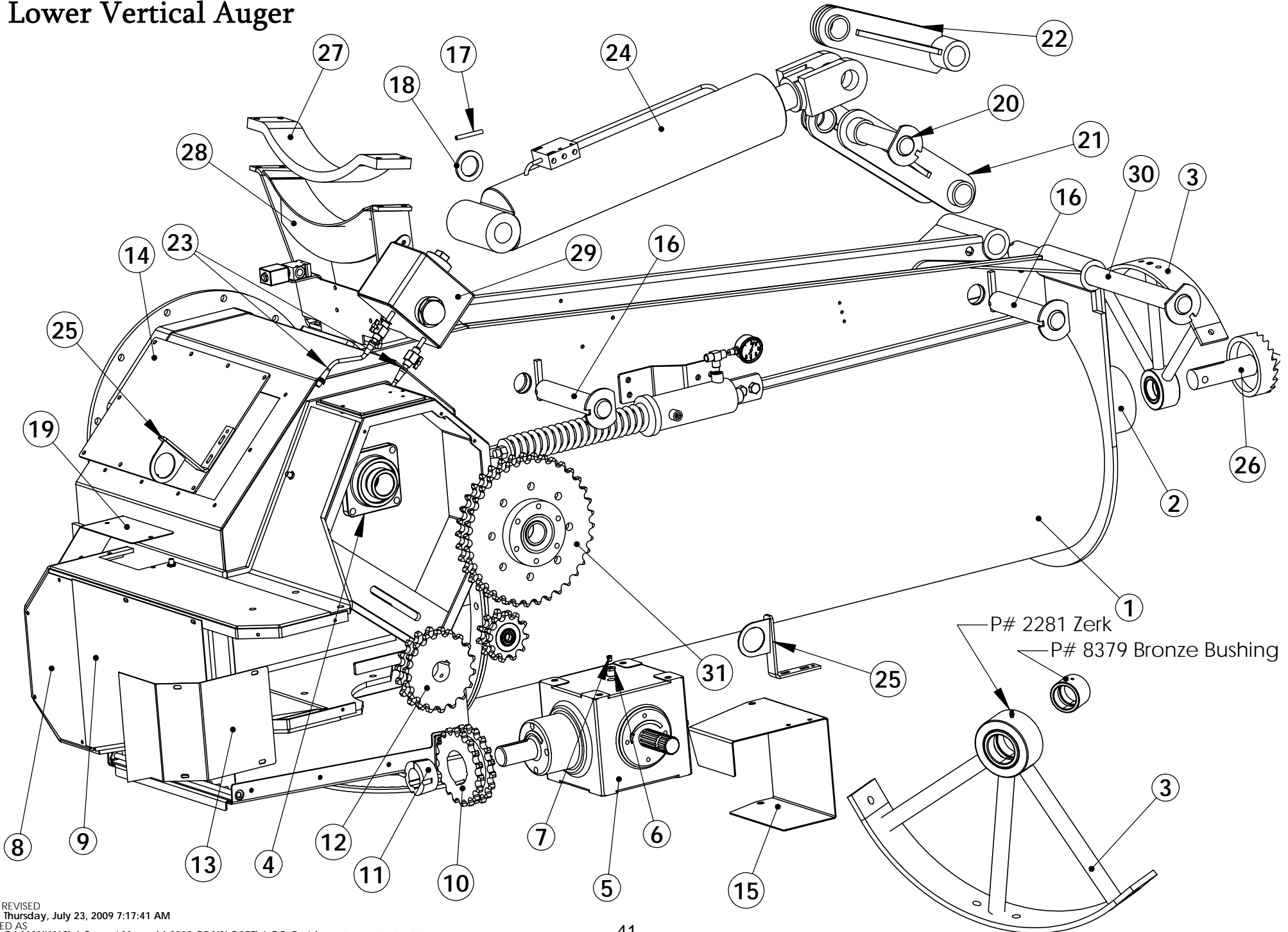


Lower Vertical Auger

ITEM #	QTY.	PART #	DESCRIPTION
1	1	85325	LOWER VERT AUGER LOWER
2	1	91275	AUGER VERT LOWER FLIGHTING 24"
3	1	84492	BEARING PILLOW BLOCK 2.18" X 4.87" X SET
4	1	41704	COVER 7.56" X 7.56"
5	1	91322	SHIELD LOWER DRIVE REAR
6	1	91321	SHIELD LOWER DRIVE MIDDLE
7	2	80508	SPROCKET, IDLER DOUBLE
8	1	80504	SPROCKET, D100ATL18-2517
9	1	80511	BUSHING TAPERLOCK 2517 x 2"
10	1	80512	BUSHING TAPERLOCK 3020
11	1	80506	SPROCKET D100ATL36-3020
12	1	84285	SHIELD LOWER DRIVE FRONT
13	1	90588	COVER CLEAN OUT 24" AUGER
14	1	92413	WASHER 2.18" ID X 2.87" OD X .12" TH
15	1	92414	WASHER 2.18" ID X 2.87" OD X .37" TH
16	1	92415	WASHER 2.18" ID X 2.87" OD X .25" TH
17	1	83313	COVER 5" X 16" X 14 GA. FORMED
18	2	84289	PIPE 1.25" OD x 0.25" DOM x 0.62" LG
19	3	22340	GASKET 4" CAM LOCK
20	2	24178	HOSE, HYD 1/8" x 10 GREASE LINE
21	2	22430	HOSE SUPPORT
22	1	84465	FRONT CLUTCH COVER VERT AUGER
23	1	85505	VERTICAL AUGER CLEAN OUT DOOR WELDMENT
24	1	25999	OIL RESERVIOR DRIP FEED
25	4	1603	WASHER FLAT .75"

Parts

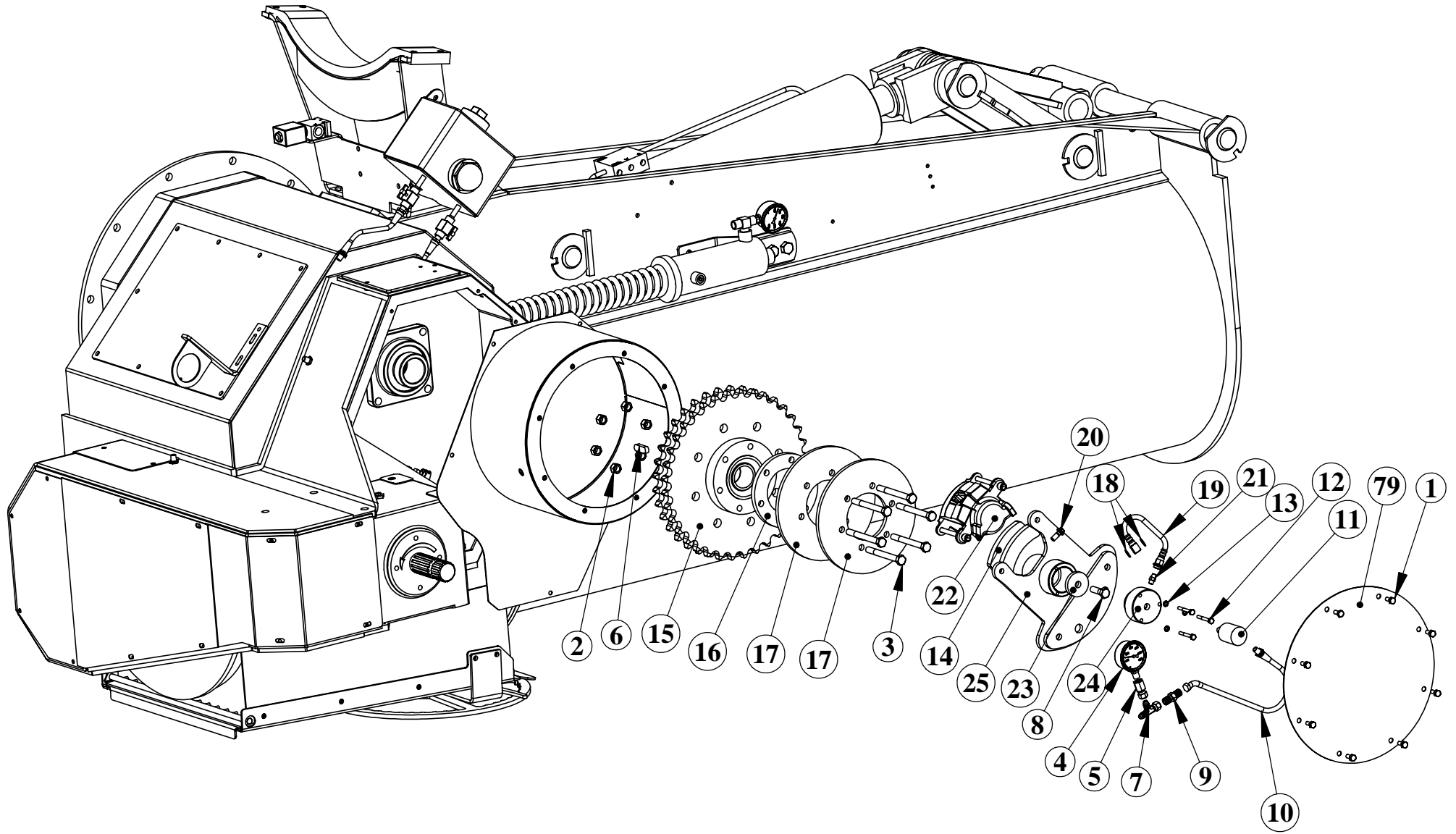
Lower Vertical Auger



Lower Vertical Auger

ITEM #	QTY.	PART #	DESCRIPTION
1	1	85335	LOWER VERT AUGER UPPER
2	1	91275	AUGER VERT LOWER FLIGHTING 24"
3	1	90575	AUGER VERT MID BEARING
4	1	26872	BEARING 4 BOLT FLG 2.18" X 5.12" CAM
5	1	80500	GEAR BOX 1.35-1 RATIO
6	1	13038	HYD REDUCER .50"NPTM x.12"NPTFM -(
7	1	13097	BREATHER .12"NPT BRASS, 5#PSI VENT
8	1	91322	SHIELD LOWER DRIVE REAR
9	1	91321	SHIELD LOWER DRIVE MIDDLE
10	1	80504	SPROCKET, D100ATL18-2517
11	1	80511	BUSHING TAPERLOCK 2517 x 2"
12	1	80505	SPROCKET D100A18
13	1	84285	SHIELD LOWER DRIVE FRONT
14	1	90588	COVER CLEAN OUT 24" AUGER
15	1	90738	SHIELD GEARBOX 24' AUGER
16	2	91331	PIN 1.94" DIA x 10.13" WELD
17	1	81767	ROLL PIN .37" x 3.00" LG
18	3	81768	WASHER 2.00" ID X 3.00" OD X 0.25"TH
19	1	83313	COVER 5" X 16" X 14 GA. FORMED
20	1	91333	PIN WELD 1.94"DIA x 9.13" LG
21	1	91308	LINKAGE ARM LOWER WELD
22	1	91304	LINKAGE ARM UPPER PIVOT
23	2	24178	HOSE, HYD 1/8" x 10 GREASE LINE
24	1	85475	HYD CYL 6.00"B x20.25"S x2.75R -WELD-SOFT LAND
25	2	22430	HOSE SUPPORT
26	1	85090	COUPLER DRIVE LOWER VERT 2008
27	1	91257	RUBBER BELTING 1x4x25
28	1	72010	AUGER STORAGE WELD W/VALVE MOUNT
29	1	25999	OIL RESERVIOR DRIP FEED
30	1	91323	PIN WELD 1.94" DIA x 29.37"LG
31	1	85420	BRAKE CLUTCH SUB ASSEMBLY

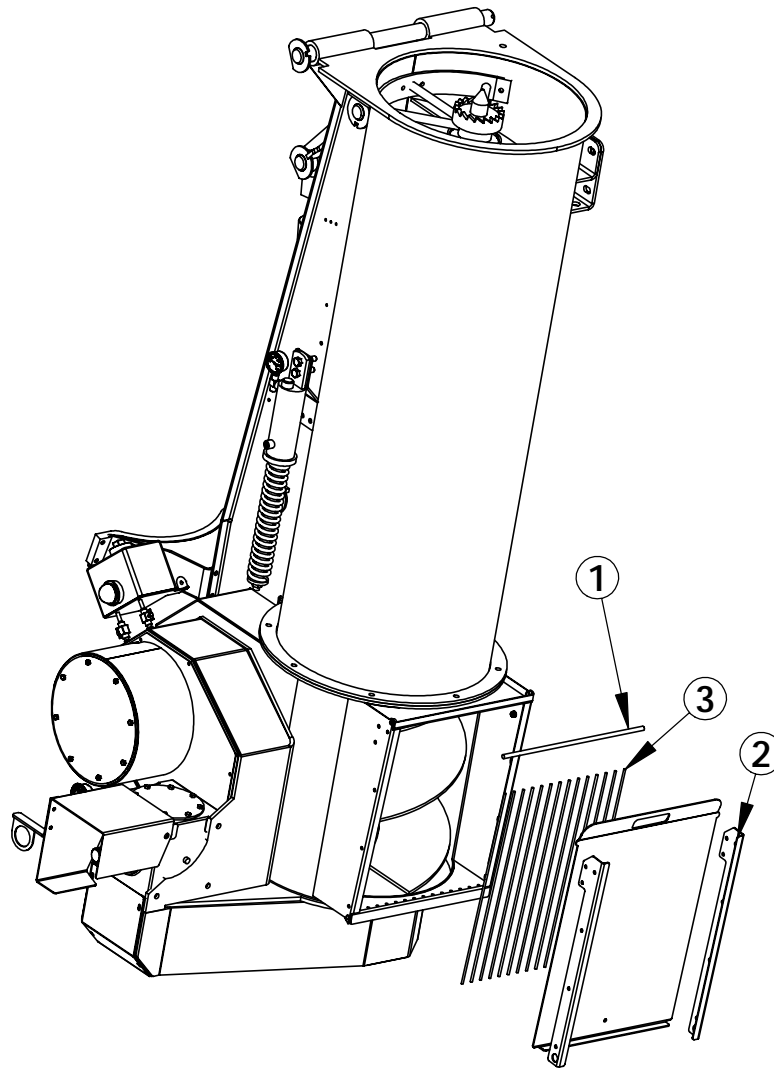
Lower Auger Clutch



Lower Auger Clutch

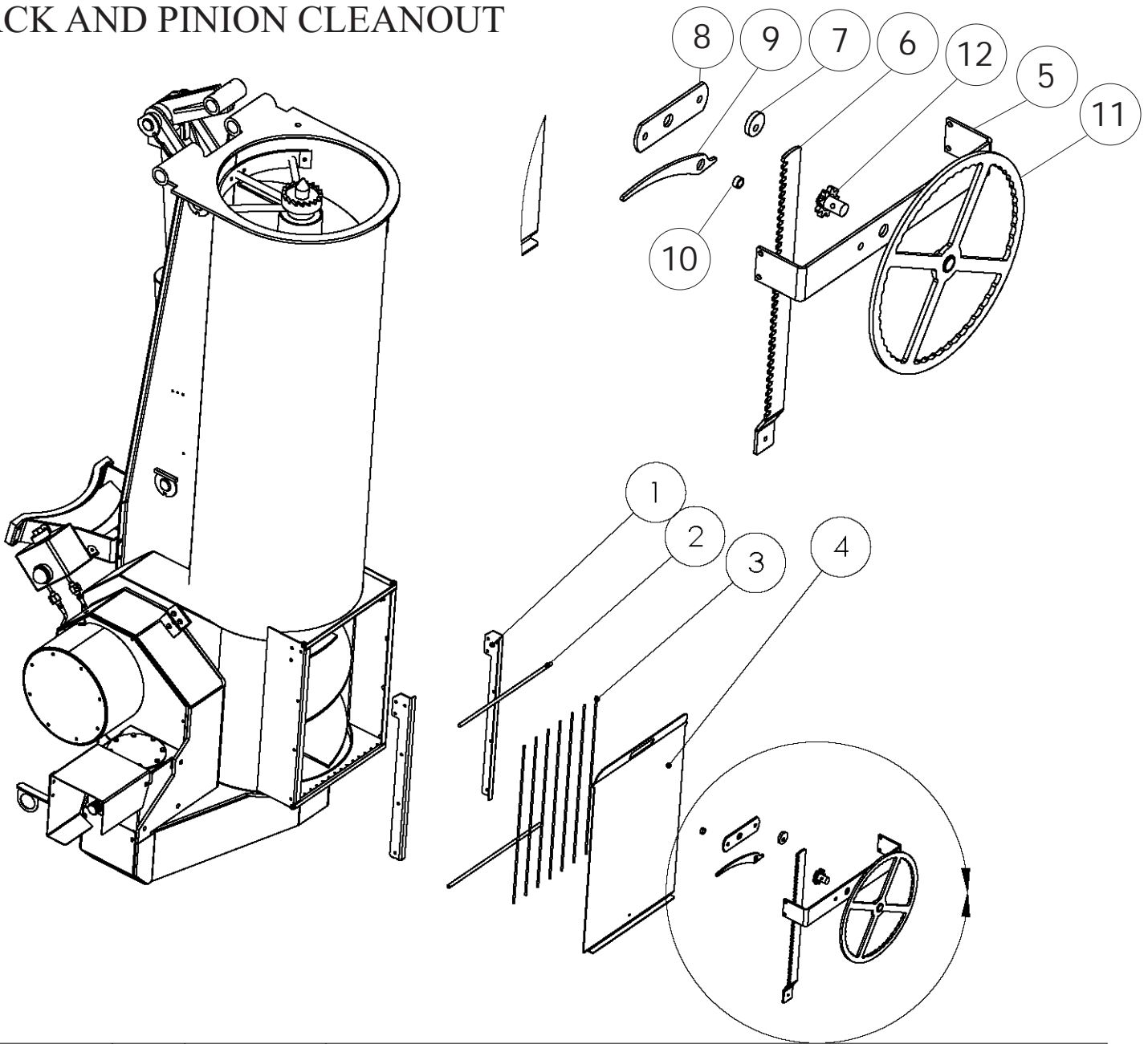
ITEM #	QTY.	PART #	DESCRIPTION
1	8	1183	BOLT HEXHEAD .31" x .75" - UNC 18 GR5
2	8	2539	NUT TOPLOCK .50" - 13 UNC
3	6	1262	BOLT HEXHEAD .5" x 5.00" - UNC 13 GR5
4	2	8638	GAUGE PRESSURE
5	1	72153	SWIVEL TO PIPE #6 JIC FM SWIVEL-1/4"NPT MALE
6	1	80793	KEY 9 x 14 x 45MM
7	1	72152	TEE #6 JIC SWIVEL RUN
8	1	1251	BOLT HEXHEAD .5" x 1.75" - UNC 13 GR5
9	1	72133	HYD BULKHEAD #6 JICM x #6 JICM (2700-LN-STR)
10	1	72132	HYD HOSE .25X .25NPTMX .56JICFMS 45DEGX 15"LG
11	1	71741	HYD ROTATING COUPLER .25" NPT
12	3	1168	BOLT HEXHEAD .25" x 2.00" - UNC 20 GR5
13	3	1634	WASHER LOCK .25"
14	1	85427	BRAKE PAD SET
15	1	90895	SPROCKET/BEARING ASBY
16	1	85423	BRAKE ROTOR SPACER .50" x 6.5" OD
17	2	85422	BRAKE ROTOR PLATE .37" x 10" OD
18	2	37090	FLATE WASHER .37" BRASS
19	1	84480	BRAKE LINE HOSE
20	1	84479	BOLT BANJO
21	1	84478	HYD COUPLER 1/8 NPT - 3/16 BRK LINE
22	1	85421	BRAKE CALIPER
23	1	84476	3/8" WASHER 2.156" OD x .562"ID
24	1	84464	END CAP 3" OD x 2" LONG MACHINED
25	1	85425	WELDMENT
79	1	84468	PLATE, COVER BRAKE CLUTCH .07" x 15.5"OD

Manual Cleanout



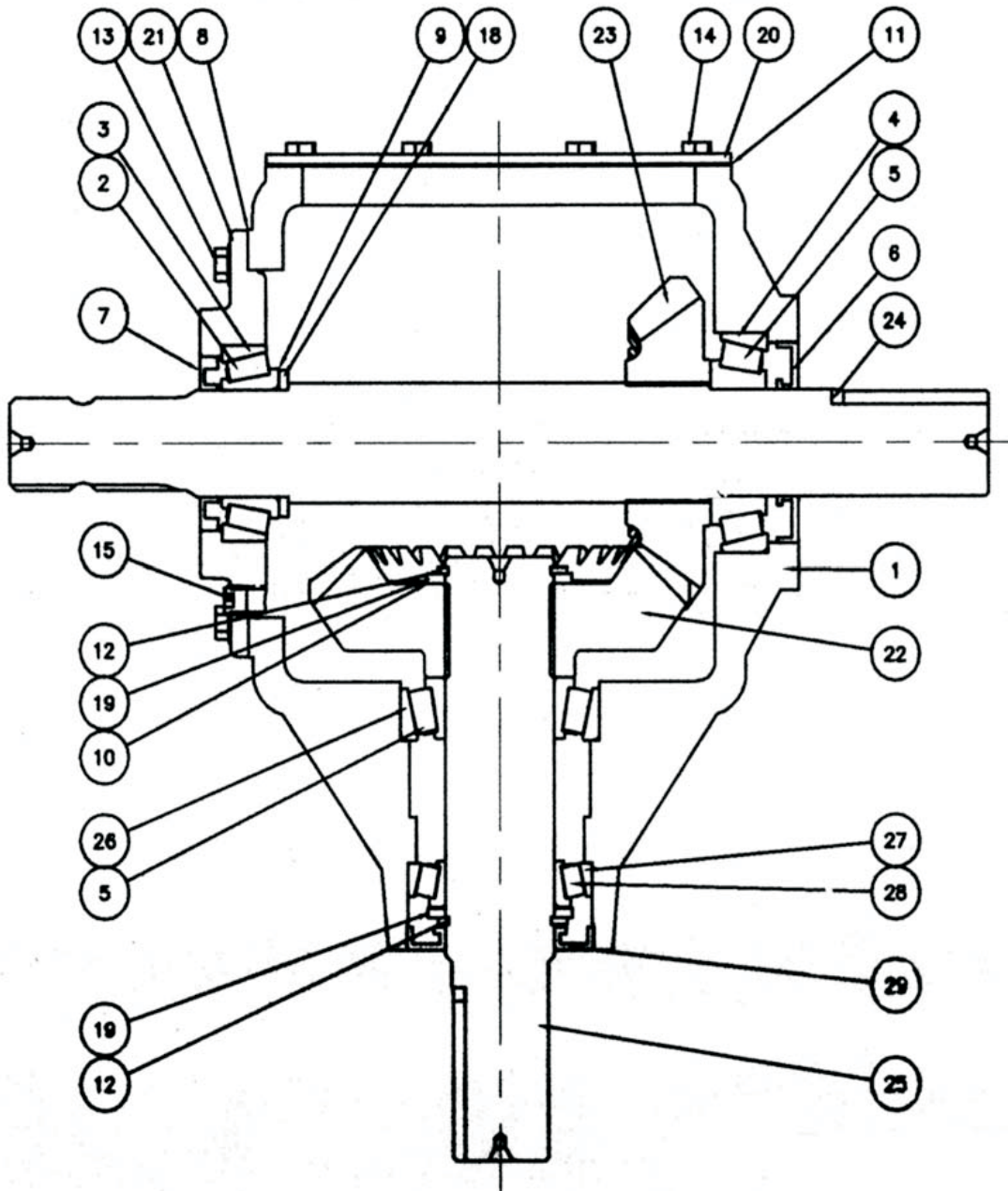
ITEM #	QTY.	PART #	DESCRIPTION
1	1	85113	ROD STOP ROUND 1/2" DIA x 21 7/8" LONG
2	1	85114	PLATE FORMED REAR 10GAx4"x1.5"x29.25"LG
3	14	90360	ROUND .25" OD X 26 1/4. " LG

RACK AND PINION CLEANOUT



ITEM #	QTY.	PART #	DESCRIPTION
1	1	85114	PLATE FORMED REAR 10GAx4"x1.5"x29.25"LG
2	2	85113	ROD STOP ROUND 1/2" DIA x 21 7/8" LONG
3	14	90360	ROUND .25" OD X 28 7/8. " LG
4	1	80414	AUGER VERT CLEANOUT DOOR
5	1	92275	PINION BRACKET
6	1	92271	RACK GEAR AUGER DOOR
7	1	92276	SPACER 3/8" THICK 1 7/8" OD x 17/32" ID OFFCENTER 1/4"
8	1	92277	PINION BRACKET REAR
9	1	92278	LATCH ARM - GRAIN CART
10	1	92279	SPACER PIPE 3/8' LONG 1/2" SCH 40 PIPE
11	1	92281	HANDWHEEL
12	1	92273	PINION & SHAFT

Graincart Gearbox, Part# 80500



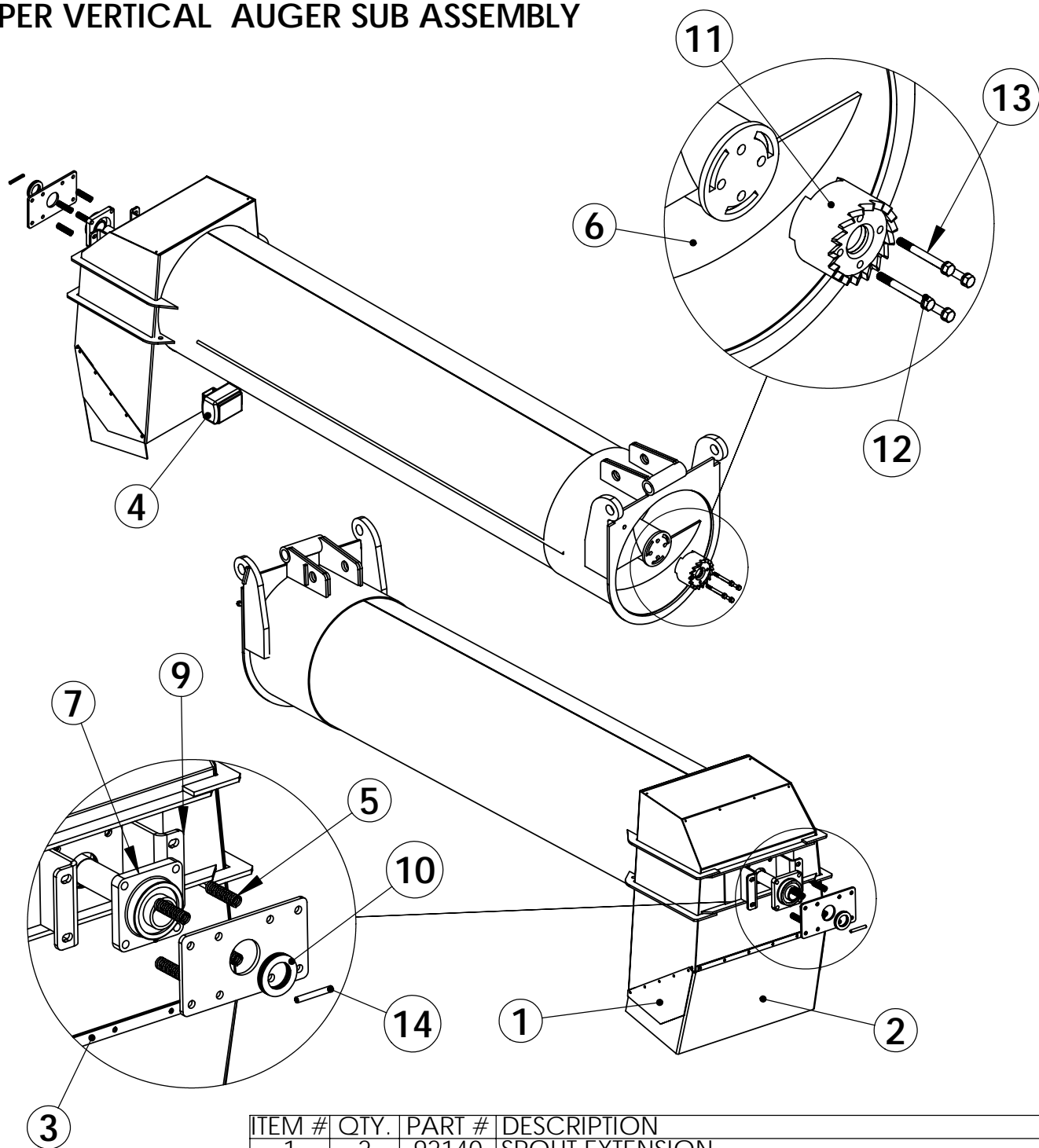
Parts



Graincart Gearbox, Part# 80500

Item#	Qty	Part#	Description
1	1	50767	HOUSING GEARBOX - 1000 GRAIN CART GEARBOX
2	1	22602	BEARING CUP
3	1	50768	BEARING CONE GRAIN CART GEARBOX
4	1	50769	BEARING CONE GRAIN CART GERABOX
5	2	50770	BEARING CUP GRAIN CART GEARBOX
6	1	50771	SEAL OIL GRAIN CART GEARBOX
7	1	50524	SEAL PRAIRIE #1499SHREDDER GEARBOX 1000 RPM2" ID FOR INPUT SHAFT
8	1	22604	SHIM .007 (COVER) PRAIRIE #1544
9	1	50781	SHIM 2"ID X .007 THK GRAIN CART GEARBOX
10	1	50782	SHIM 2.25" ID GRAIN CART GEARBOX
11	1	50780	GASKET, COVER PLATE GRAIN CART GEARBOX
12	2	50783	SNAP RING GRAIN CART GEARBOX
13	8	1206	BOLT.37 X 1 HEXHEAD GRADE 5 Z.P.
14	8	1204	BOLT.37 X .75 HEXHEAD GRADE 5 Z.P.
15	1	6997	PLUG DRAIN HEX SOC .25 NPT
16	1	8907	PIPE PLUG .50-14 NPTF SQ HD
17	1	50785	VENT 1/2" NPT GRAIN CART GEARBOX
18	1	50417	WASHER 2"ID X .179 OUTPUT SHAFTPUMP VERTICAL LAGOON
19	2	50784	WASHER 2.25"ID X .179 GRAIN CART GEARBOX
20	1	50778	PLATE COVER GRAIN CART GEARBOX
21	1	50779	COVER OPEN GRAIN CART GEARBOX
22	1	50774	GEAR 27T GRAIN CART GEARBOX
23	1	50775	PINION 20T GRAIN CART GEARBOX
24	1	50776	SHAFT THRU GRAIN CART GEARBOX
25	1	50777	SHAFT QUILL GRAIN CART GERABOX
26	1	50772	BEARING CONE GRAIN CART GEARBOX
27	1	13149	BEARING CUP INNER 382A 8 BOLT HVY
28	1	13150	BEARING CONE INNER
29	1	50773	SEAL OIL GRAIN CART GERABOX2.25" ID X 3.876" OD

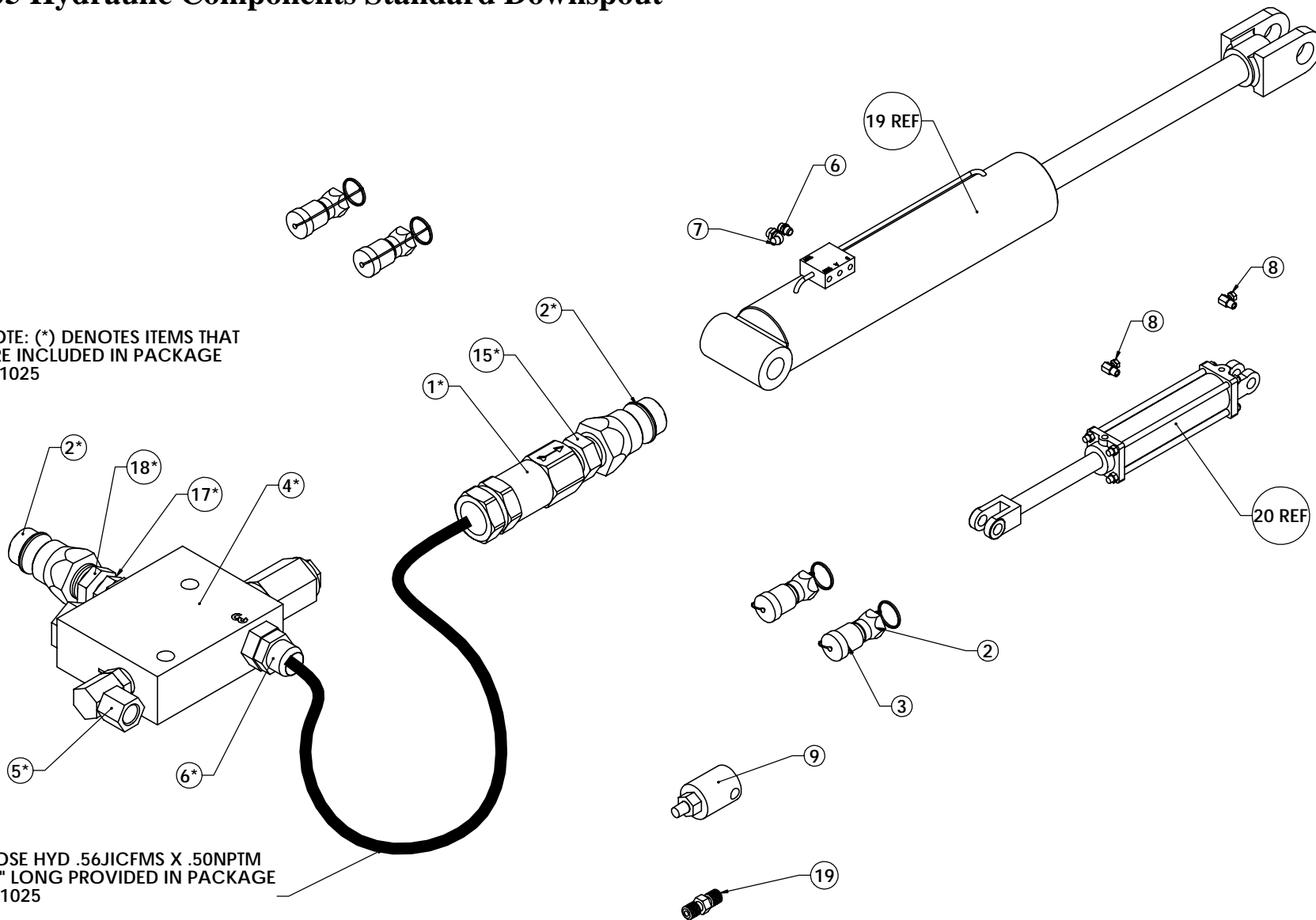
UPPER VERTICAL AUGER SUB ASSEMBLY



ITEM #	QTY.	PART #	DESCRIPTION
1	2	92140	SPOUT EXTENSION
2	1	92436	RUBBER SPOUT
3	1	92437	FLAT RETAINER w/HOLES
4	1	60984	WORK LIGHT 3x5 HALOGEN
5	4	90596	SPRING COMPRESSION .71 ID x 3.5"
6	1	92427	AUGER VERT UPPER 24" FLIGHTING
7	1	26871	BEARING 4 BOLT FLG 2.18 ID X 5.12 BP
8	1	82901	BEARING PLATE 5.12 BP
9	1	92138	AUGER VERT UPPER WELDMENT 24"
10	3	90598	WASHER 2.25IDX 3.50ODX 0.179TH
11	1	85095	UPPER VERTICAL AUGER COUPLER
12	4	1638	LOCK WASHER .50"
13	4	1261	BOLT HEXHEAD .50" x 4.50" UNC GRD 5
14	1	91588	ROLL PIN .50" x 3.50" LG

72105 Hydraulic Components Standard Downspout

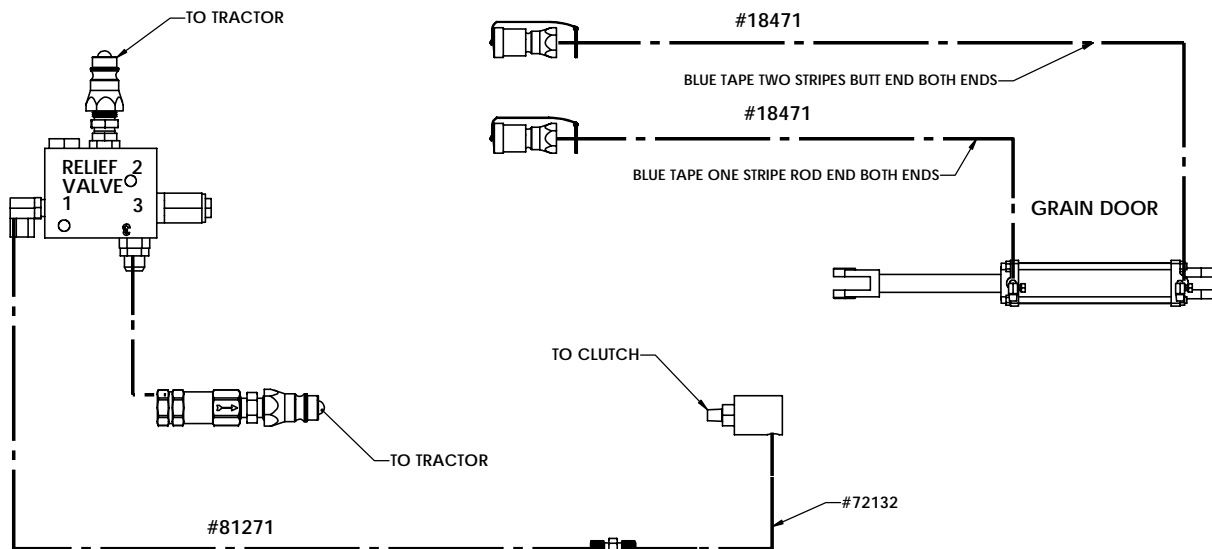
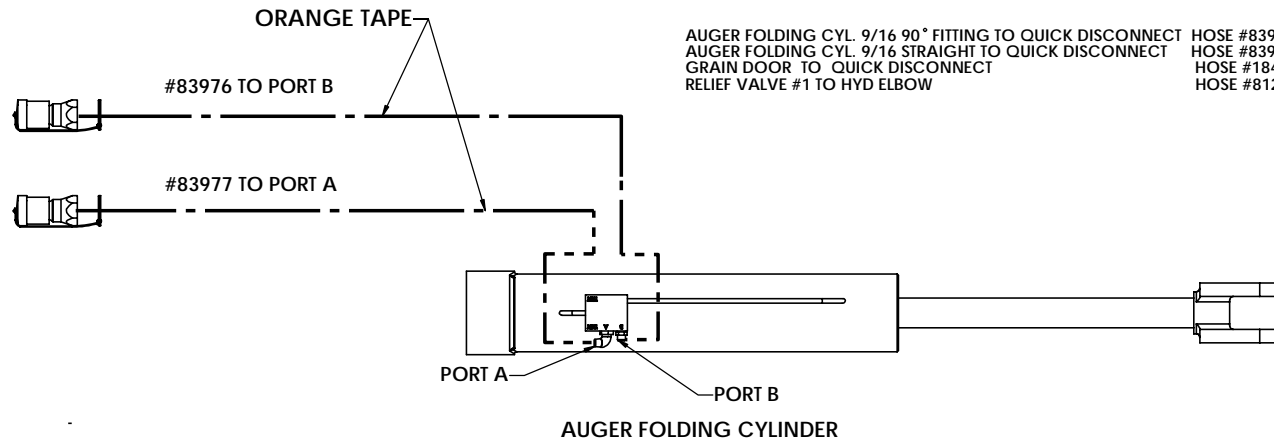
NOTE: (*) DENOTES ITEMS THAT ARE INCLUDED IN PACKAGE #81025



72105 Hydraulic Components Standard Downspout

HOSE DESCRIPTIONS

AUGER FOLDING CYL. 9/16 90° FITTING TO QUICK DISCONNECT HOSE #83976 X 185"
 AUGER FOLDING CYL. 9/16 STRAIGHT TO QUICK DISCONNECT HOSE #83977 X 185"
 GRAIN DOOR TO QUICK DISCONNECT HOSE #18471 X 340"
 RELIEF VALVE #1 TO HYD ELBOW HOSE #81271 X 96"



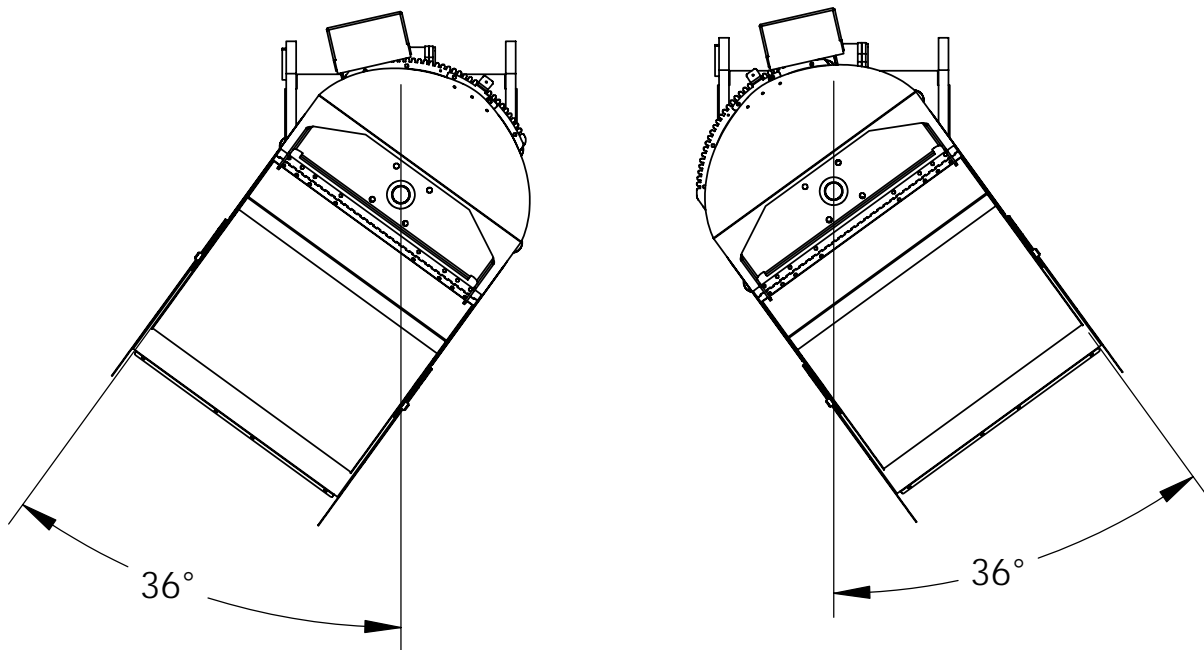
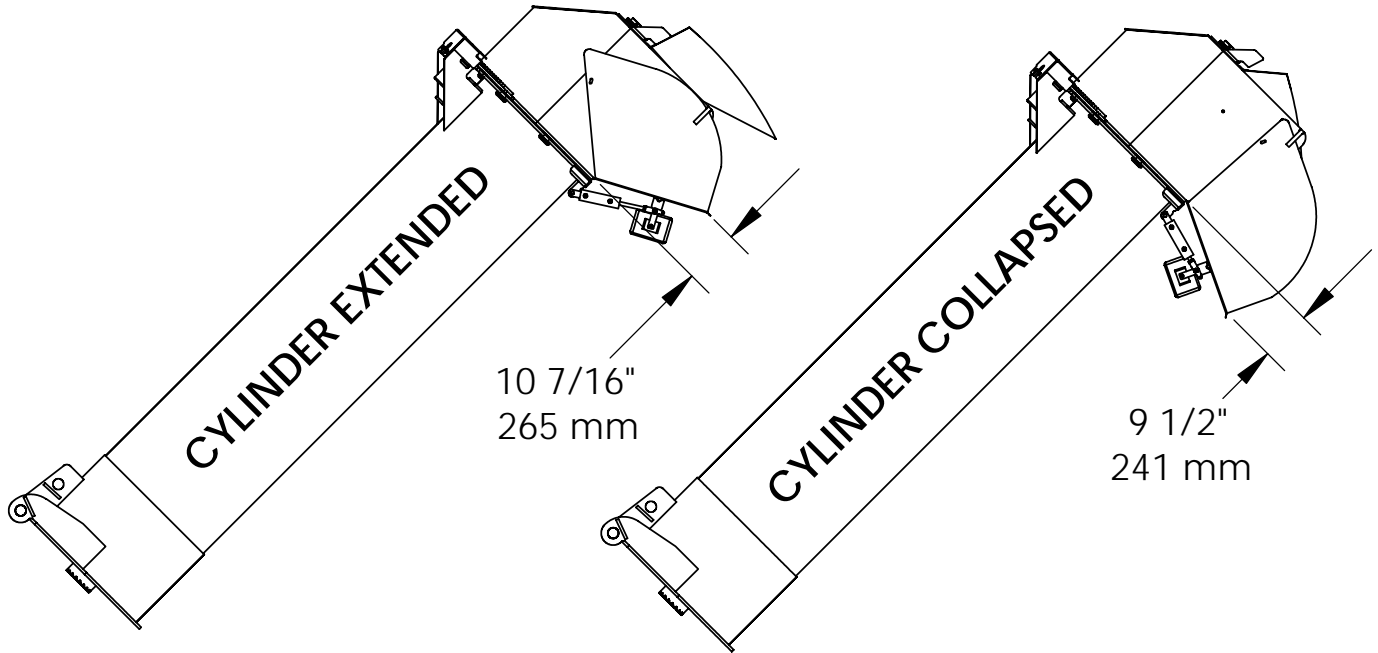
NOTE:
VOLTAGE REQUIREMENT 10 VOLTS MIN.

72105 Hydraulic Components Standard Downspout

	ITEM #	QTY.	PART #	DESCRIPTION
	1	1	10459	HYD VALVE CHECK .50" NPTFM x .50" NPTFM
	2	6	11023	HYD MISC PIONEER MALE / .50NPTFM (S71-4)
	3	4	28392	HYD MISC PIONEER DUST CAP (S49-4)
REF B	4	1	72110	HYD VALVE PRESSURE REDUCING 1000PSI
	5	1	21661	HYD ELBOW .25NPTFMSX .56ORM 90DEG (6901-6-4)
	6	2	83979	HYD NIPPLE .56ORMX .56JICM (6400-6)
	7	1	37299	HYD ELBOW .56JICMX .56ORM 90DEG (6801-6)
	8	2	21171	HYD ELBOW .37NPTMx .25NPTFMS 90DEG (1501 6-4)
	9	1	71741	HYD ROTATING COUPLER .25" NPT
	10	2	18471	HYD HOSE .25X .25NPTMSX .50NPTMX 340"LG
	11	1	83976	HYD HOSE .37X .50NPTMX .56JICFMSX 185"LG
	12	1	83977	HYD HOSE .37X .50NPTMX .56JICFMS 90DEGX 185"LG
	13	1	8604	HYD NIPPLE .50NPTMX .50NPTM (5405-6)
	14	1	81271	HYD HOSE .25X .25NPTMSX .56JICMSX 96"LG.
	15	1	72113	HYD NIPPLE .37NPTMX .56ORM (6401-6-6)
	16	1	8222	HYD REDUCER .37"NPTFM x .50"NPTM -(5406-8-6)
REF	17	1	91259	HYD CYL 6.00"B x22"S x2.75R -WELD-SOFT LAND
REF	18	1	8226	HYD CYL 2.50" B x10.00"S x1.12R -TIE ROD
	19	1	72133	HYD BULKHEAD #6 JICM x #6 JICM (2700-LN-STR)
	20	1	72132	HYD HOSE .25X .25NPTMX .56JICFMS 45DEGX 15"LG

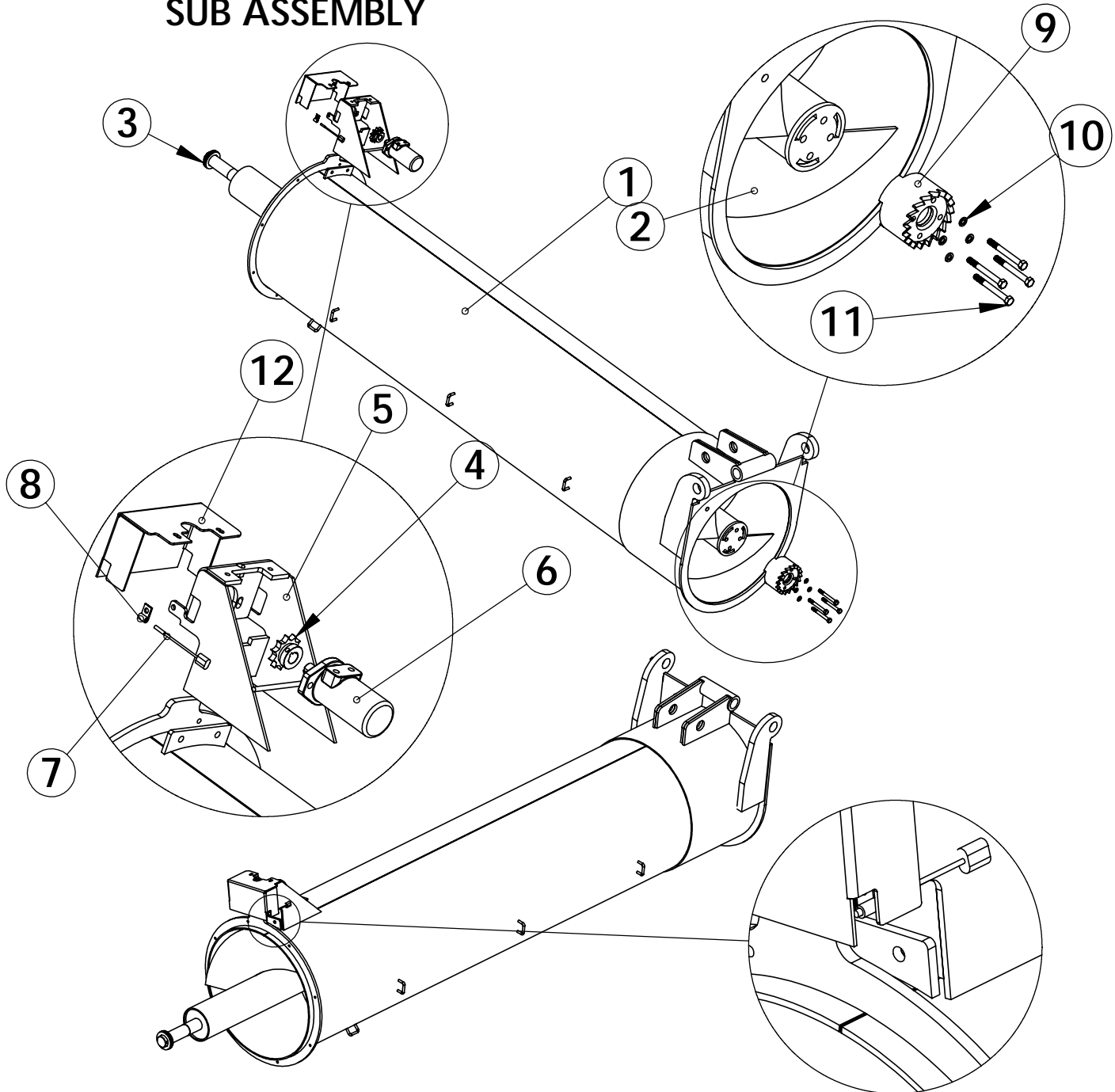
REF B USED IN CLUTCH KIT 81025

MULTI DIRECTIONAL DOWN SPOUT
#71750



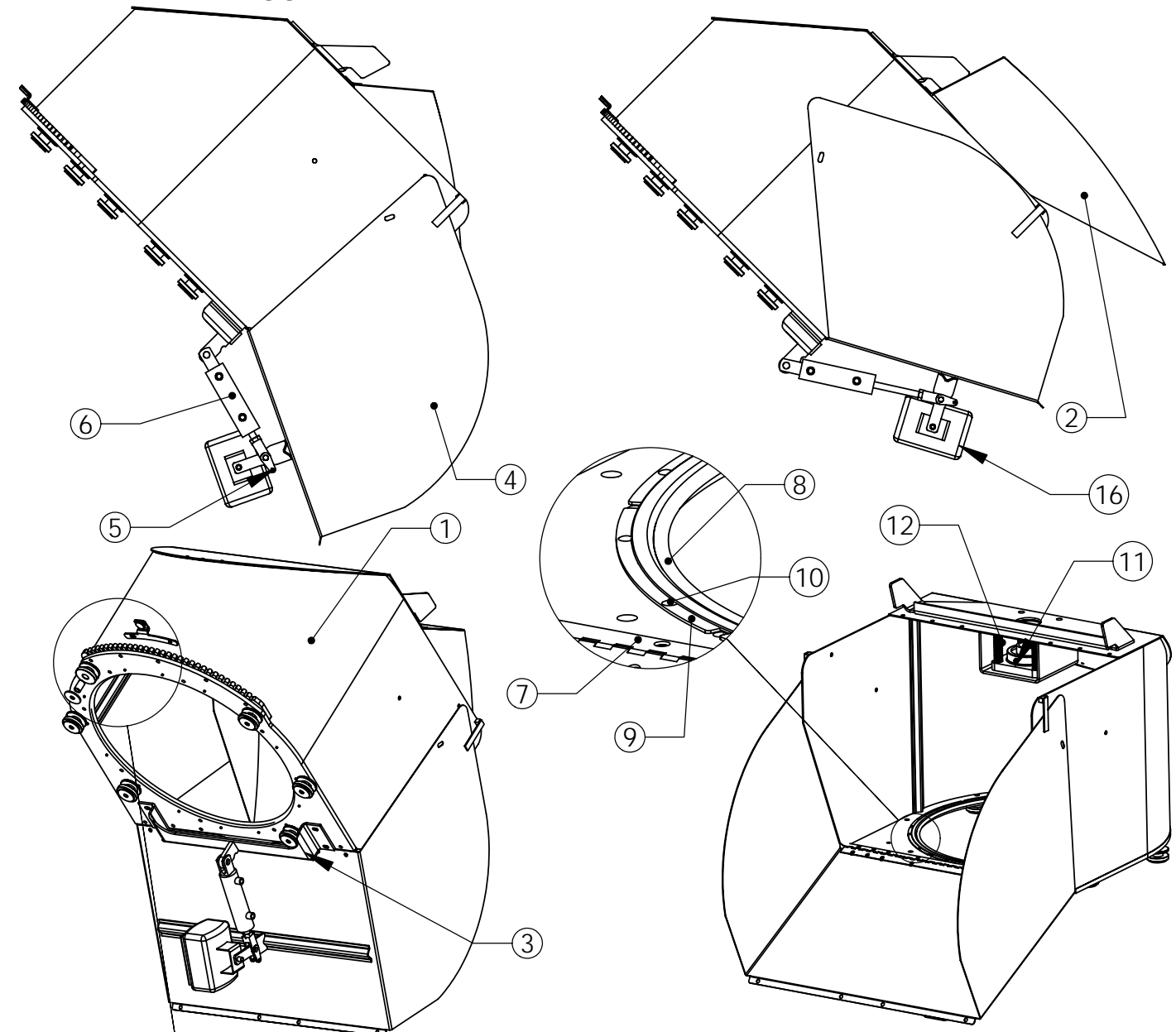
DEGREES OF TRAVEL TO FRONT AND REAR

UPPER VERTICAL SWIVEL AUGER SUB ASSEMBLY



ITEM #	QTY.	PART #	DESCRIPTION
1	1	83530	AUGER VERT UPPER SWIVEL WELDMENT
2	1	92427	AUGER VERT UPPER 24" FLIGHTING
3	4	90598	WASHER 2.25IDX 3.50ODX 0.179TH
4	1	81500	SPROCKET 11T. X 1"
5	1	71855	HYD MOTOR MNT SWIVEL AUGER
6	1	12554	HYD MOTOR 17.9 CU IN
7	1	72123	PROXIMITY SENSOR W/ FEMALE WEATHER PACK
8	1	72124	CLAMP LOOP 1/4"
9	1	85095	UPPER VERTICAL AUGER COUPLER
10	4	1638	LOCK WASHER .50"
11	4	1261	BOLT HEXHEAD .50" x 4.50" UNC GRD 5
12	1	72157	SHIELD TOP SWIVEL AUGER

MULTI-DIRECTIONAL DOWNSPOUT ASSEMBLY

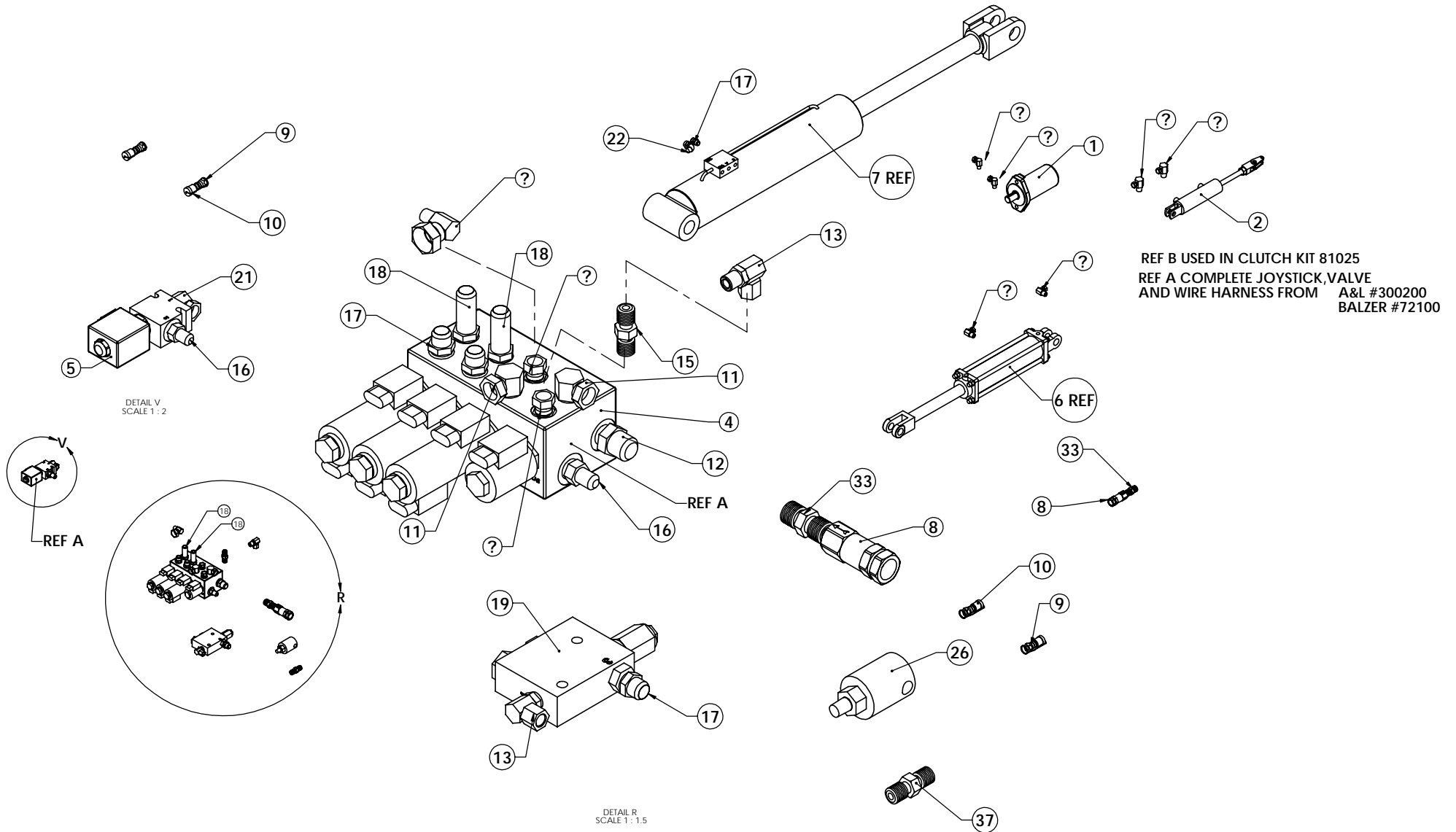


ITEM #	QTY.	PART#	DESCRIPTION
1	1	71710	AUGER SWIVEL SPOUT WELDMENT
2	1	71740	AUGER SWIVEL CURVED DEFLECTOR
3	1	71860	LUG HYD CYL SWIVEL AUGER
4	1	71865	AUGER SWIVEL TARGETABLE DOWNSPOUT
5	1	41709	CLEVIS BRAKE LINKAGE
6	1	41710	HYD CYL 1.5"BOREX 4"STROKEX .750"ROD- WELD
7	1	71757	HINGE CONTINUOUS 2" WIDE 1/4" PIN DIA. W/HOLES
8	1	72096	SEAL RUBBER
9	8	72097	RING GASKET CLAMP
10	16	72098	RIVET BLIND .18 X .70 LG
11	1	26871	BEARING 4 BOLT FLG 2.18 ID X 5.12 BP
12	4	90596	SPRING COMPRESSION .71 ID X 3.5"
13	6	71731	SWIVEL GUIDE ROLLER
14	6	71709	BUSHING .051IDX0.75ODX1.22LG
15	6	71736	WASHER 0.53IDX2.00ODX0.13TH
16	1	60984	WORK LIGHT 3x5 HALOGEN
17	1	72101	LIMIT SWITCH MAGNET MNT
18	1	72125	MAGNET CERAMIC DISC
19	1	71851	GEAR RACK AUGER BOLT ON

Parts

71895 Hydraulic Components Multi-Directional Downspout

BALZER_{INC}

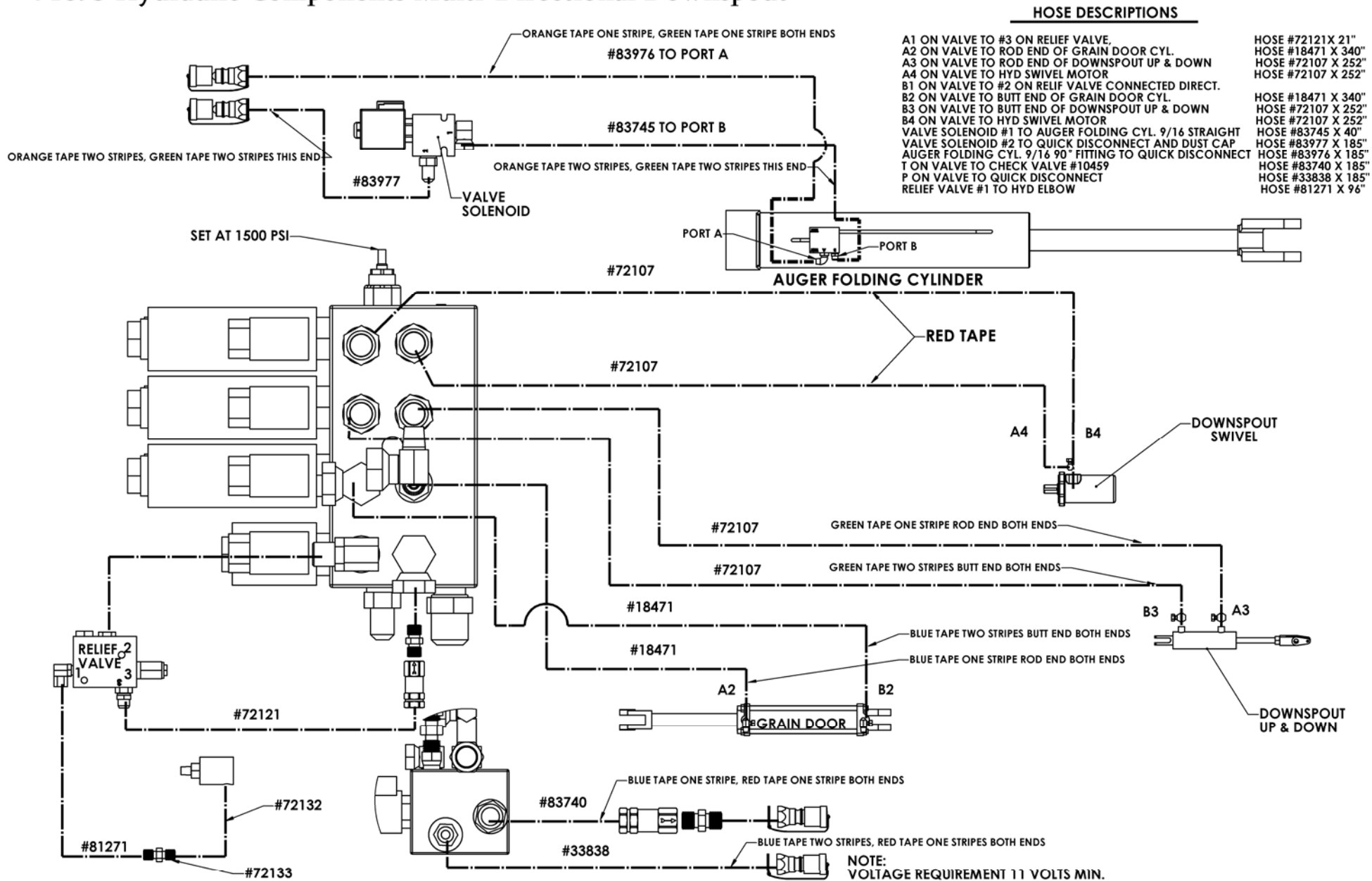


REF B USED IN CLUTCH KIT 81025
 REF A COMPLETE JOYSTICK, VALVE
 AND WIRE HARNESS FROM A&L #300200
 BALZER #72100

Parts

71895 Hydraulic Components Multi-Directional Downspout

BALZER INC



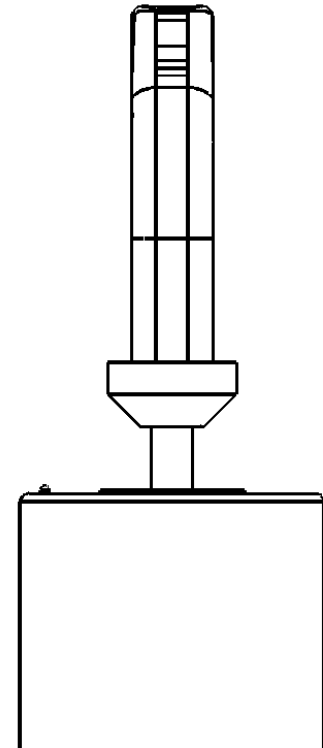
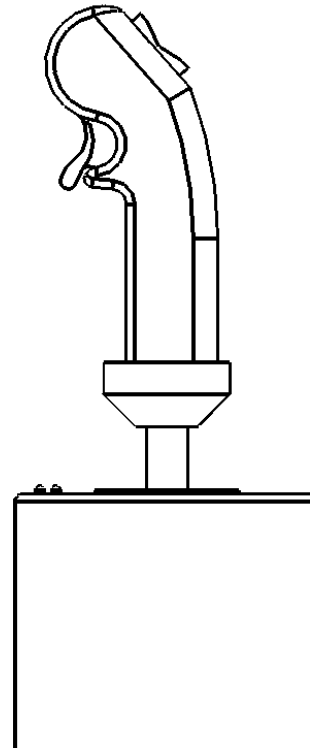
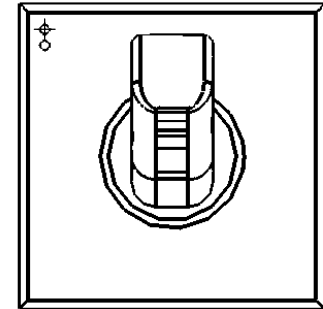
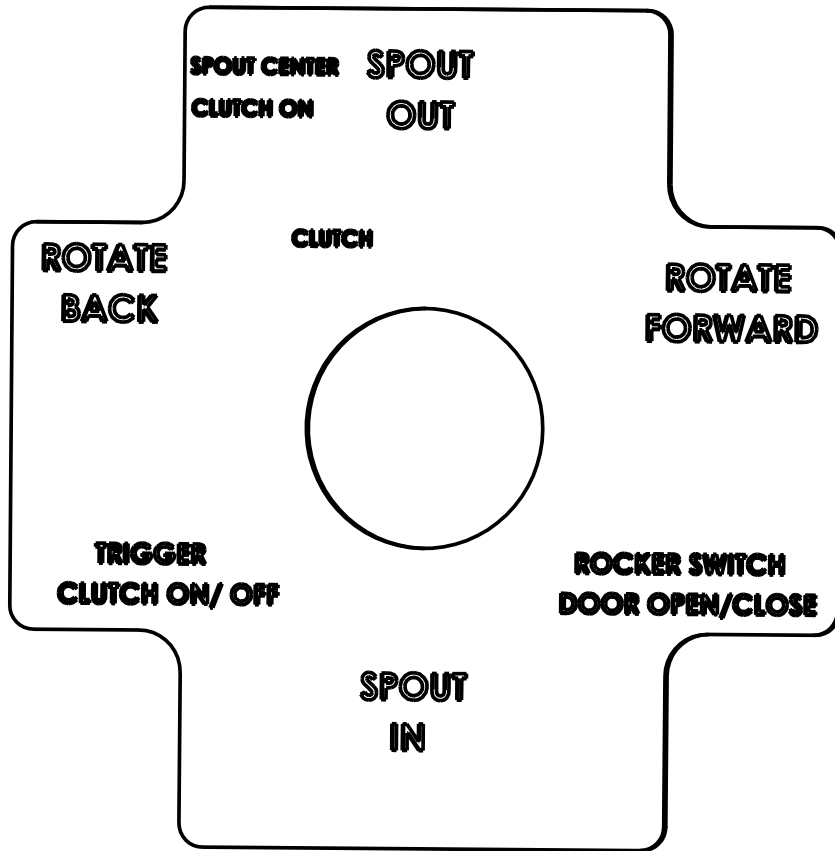
LAST REVISED
Wednesday, August 05, 2009 4:21:39 PM

SAVED AS
G:\MANUALS\4 Current Manuals\2009 GRAIN CART\6 GC Parts\9 HYD Kits\1895 HYD Kit Swivel Downspout

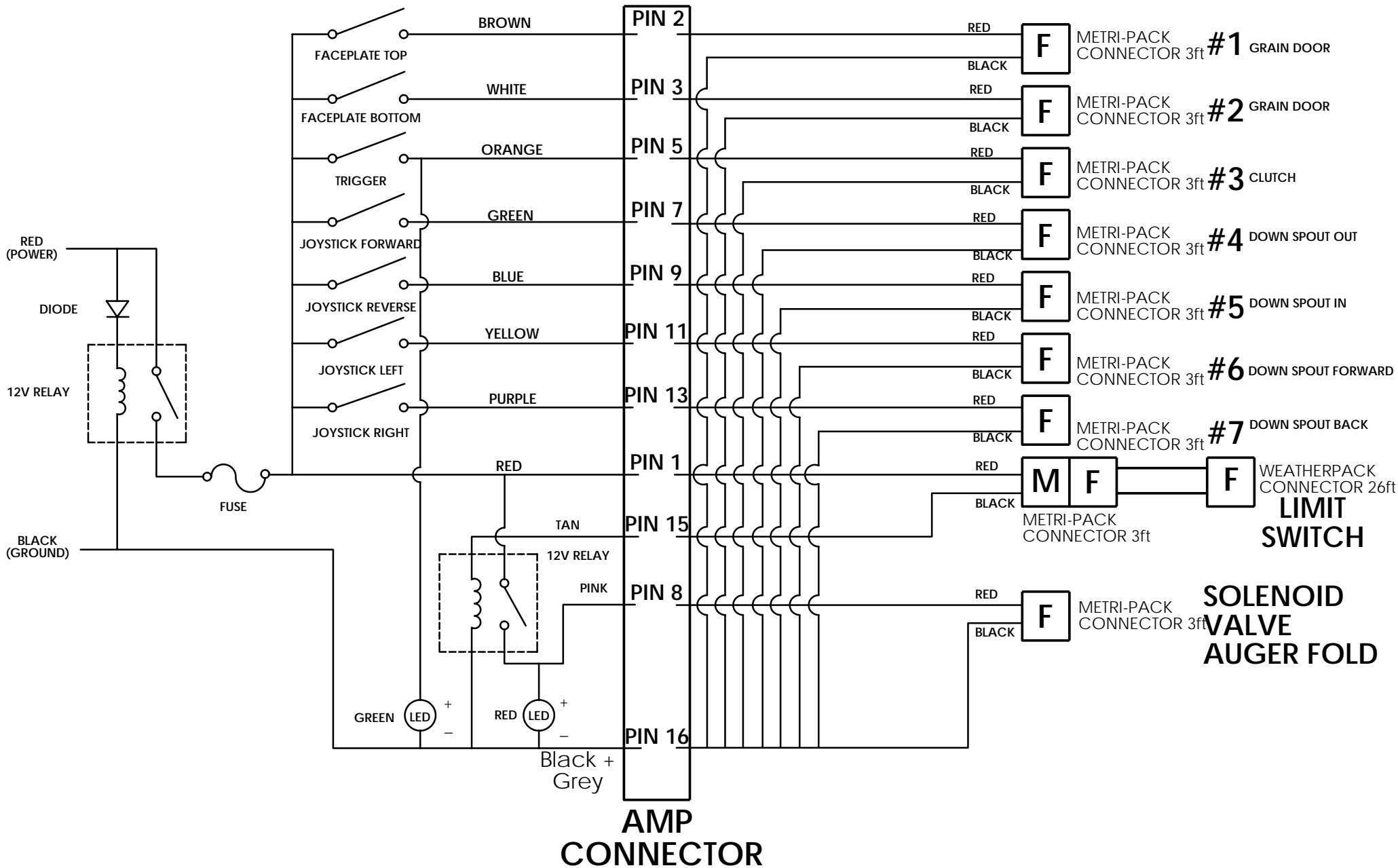
71895 Hydraulic Components Multi-Directional Downspout

	ITEM #	QTY.	PART #	DESCRIPTION
	1	1	12554	HYD MOTOR 17.9 CU IN
	2	1	41710	HYD CYL 1.50"B X04.00"S X0.75R -WELD
	3	1	41709	CLEVIS BRAKE LINKAGE
REF	4	1	72109	HYD VALVE DIRECTIONAL 4 BANK (IC-4380)
REF	5	1	71999	HYD VALVE SOLENOID PARKER #DSL102CD012LWS-A8T
REF	6	1	8226	HYD CYL 2.50" B x10.00"S x1.12R -TIE ROD
REF	7	1	91259	HYD CYL 6.00"B x22"S x2.75R -WELD-SOFT LAND
	8	2	10459	HYD VALVE CHECK .50" NPTFM x .50" NPTFM
	9	4	11023	HYD MISC PIONEER MALE /.50NPTFM (S71-4)
	10	4	28392	HYD MISC PIONEER DUST CAP (S49-4)
	11	2	33559	HYD ELBOW .50NPTFSX .56ORM 90DEG (6901-6-8)
	12	1	83741	HYD NIPPLE .75ORMX .87JICM (6400-10-8)
	13	2	21661	HYD ELBOW .25NPTFMSX .56ORM 90DEG (6901-6-4)
	14	2	20806	HYD UNION .56ORM x.25NPTFMS (6900 6-4)
	15	1	21664	HYD NIPPLE .25NPTMX .25NPTM (5404-4)
	16	2	83744	HYD NIPPLE .56JICMX .75ORM (6400-6-8)
	17	4	83979	HYD NIPPLE .56ORMX .56JICM (6400-6)
	18	2	72106	HYD NIPPLE .56ORMX .56JICM LONG (6400-6-L)
REF B	19	1	72110	HYD VALVE PRESSURE REDUCING 1000PSI
	20	1	71627	HYD ELBOW .25NPTMx .50NPTFMS 90DEG (1501 4-8)
	21	1	33558	HYD ELBOW .25NPTFMS X .75 ORM 90DEG (6901-8-4)
	22	1	37299	HYD ELBOW .56JICMX .56ORM 90DEG (6801-6)
	23	2	21663	HYD ELBOW .25NPTMx .25NPTFMS 90DEG (1501 4-4)
	24	2	21201	HYD ELBOW .50NPTMx .25NPTFMS 90DEG (1501 8-4)
	25	2	21171	HYD ELBOW .37NPTMx .25NPTFMS 90DEG (1501 6-4)
	26	1	71741	HYD ROTATING COUPLER .25" NPT
REF B	27	1	72121	HYD HOSE .38X .50NPTFMX .56JICFMSX 21"LG
	28	2	18471	HYD HOSE .25X .25NPTMSX .50NPTMX 340"LG
	29	4	72107	HYD HOSE .25X .25NPTMX .56JICFMS 90DEGX 252"LG
	30	1	83745	HYD HOSE .25X .25NPTMX .56JICFMS 90DEGX 40"LG
	31	1	83976	HYD HOSE .37X .50NPTMX .56JICFMSX 185"LG
	32	1	83977	HYD HOSE .37X .50NPTMX .56JICFMS 90DEGX 185"LG
	33	2	8604	HYD NIPPLE .50NPTMX .50NPTM (5405-6)
	34	1	83740	HYD HOSE .50X .50NPTMX .75JICFMS 90DEG 185"LG
	35	1	33838	HYD HOSE .25X .25NPTMX .56JICFMS 90DEGX 185"LG
	36	1	81271	HYD HOSE .25X .25NPTMSX .56JICMSX 96"LG.
	37	1	72133	HYD BULKHEAD #6 JICM x #6 JICM (2700-LN-STR)
	38	1	72132	HYD HOSE .25X .25NPTMX .56JICFMS 45DEGX 15"LG

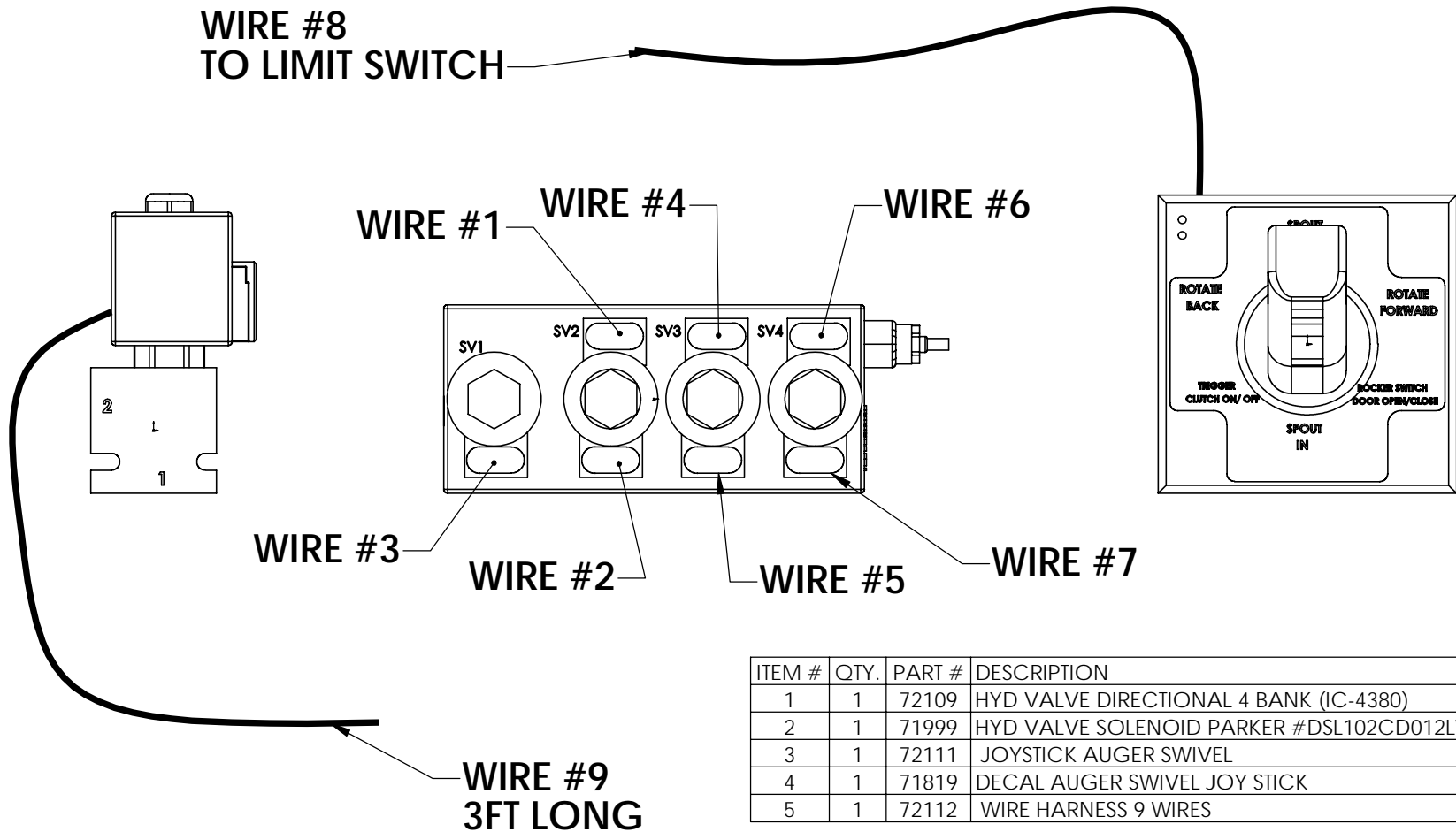
JOYSTICK CONTROLLER FOR MULTI-DIRECTIONAL DOWNSPOUT



ELECTRICAL SCHEMATIC FOR MULTI-DIRECTIONAL DOWNSPOUT W/ JOYSTICK CONTROL



MULTI-DIRECTIONAL DOWNSPOUT VALVE PACKAGE WIRING DIAGRAM



ITEM #	QTY.	PART #	DESCRIPTION
1	1	72109	HYD VALVE DIRECTIONAL 4 BANK (IC-4380)
2	1	71999	HYD VALVE SOLENOID PARKER #DSL102CD012LWS-A8T
3	1	72111	JOYSTICK AUGER SWIVEL
4	1	71819	DECAL AUGER SWIVEL JOY STICK
5	1	72112	WIRE HARNESS 9 WIRES

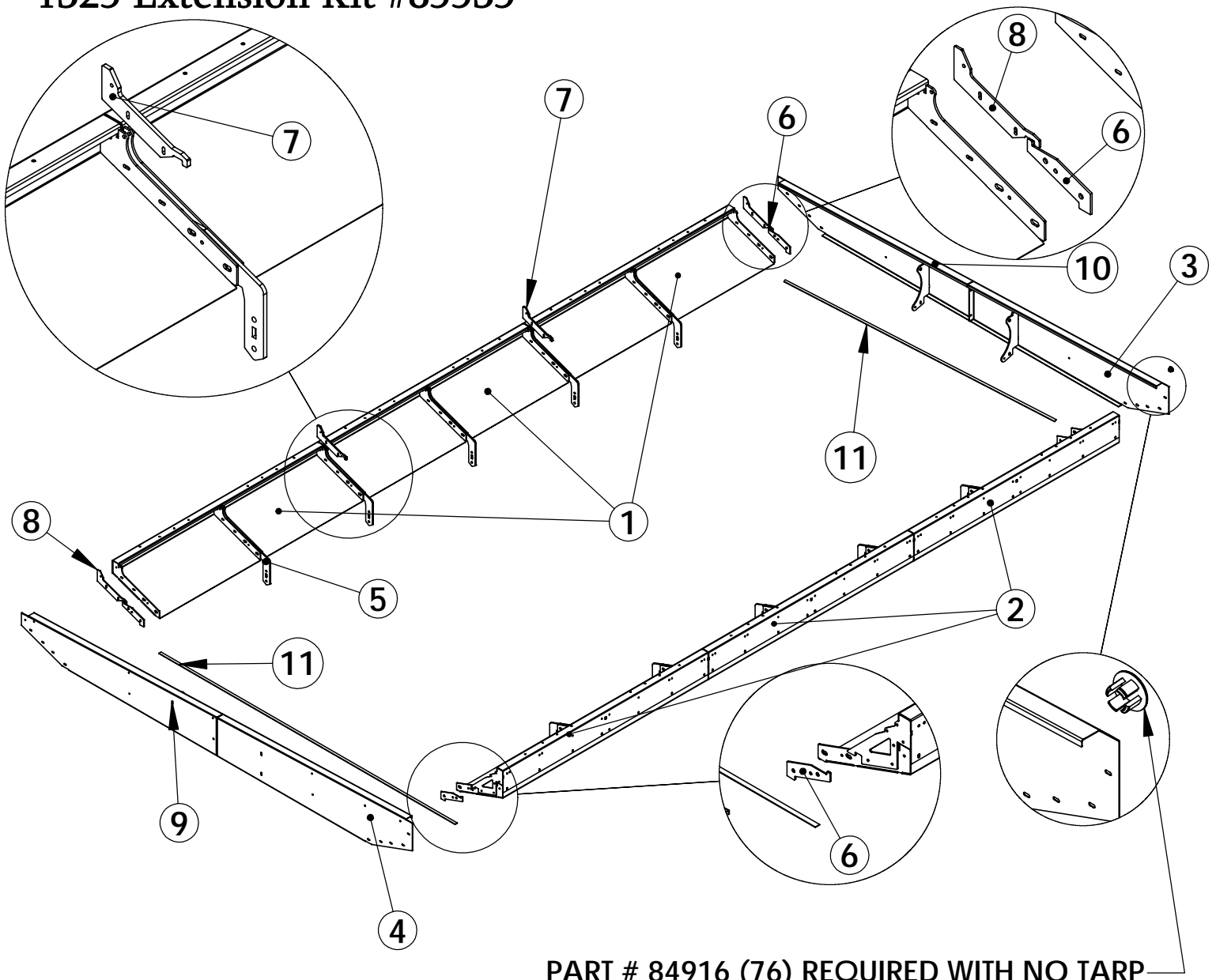
FOR TEMPORARY BY-PASS TO ALLOW UPPER AUGER TO BE MOVED IF LIMIT SWITCH BECOMES MIS ALIGNED. PLUG WIRE # 9 AND WIRE #3 TOGETHER TO BYPASS, THEN UPPER AUGER CAN BE MOVED.

NOTE: VOLTAGE REQUIREMENTS 10 VOLTS MIN.

Parts

1325 Extension Kit #85535

BALZER^{INC}



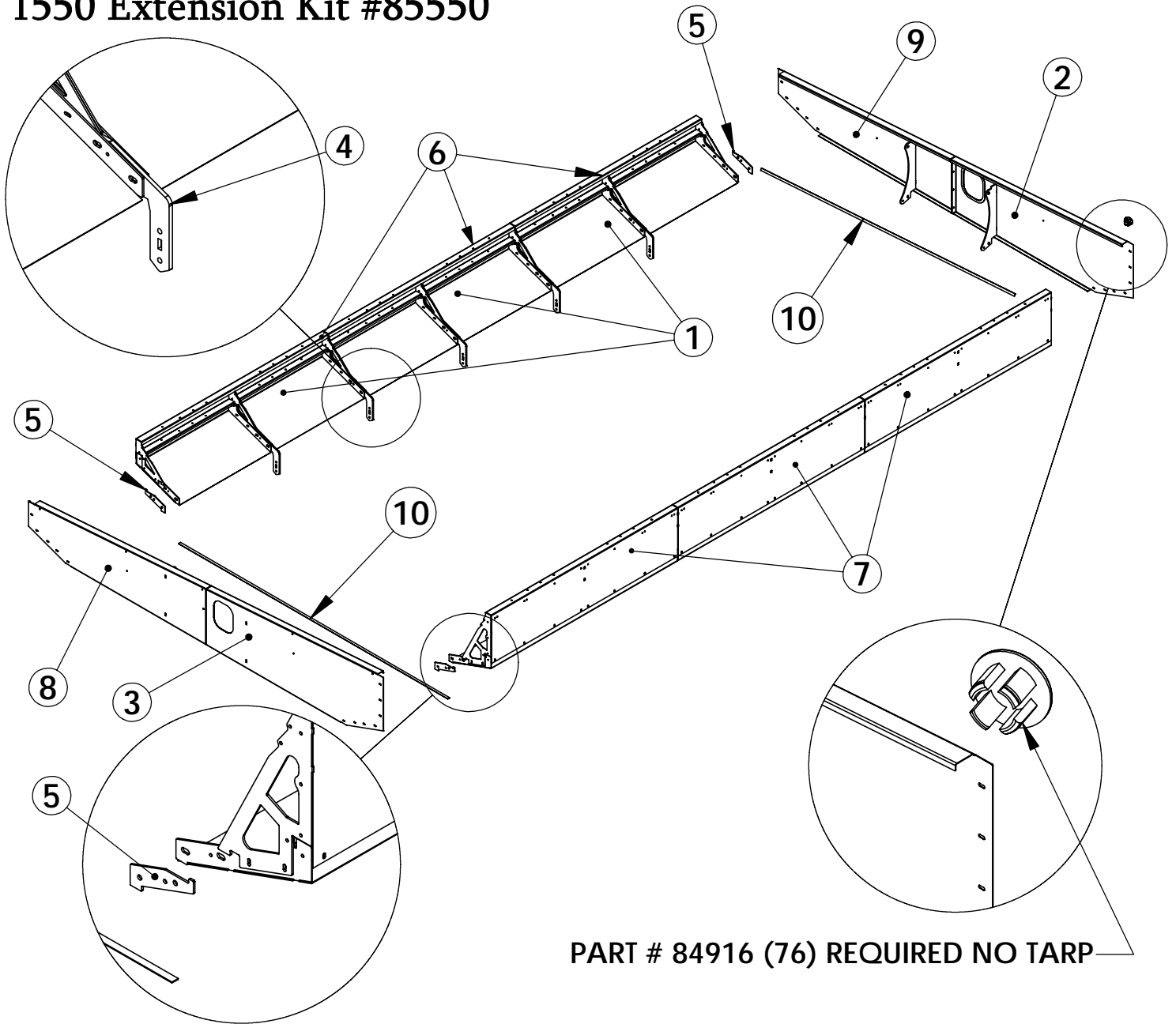
PART # 84916 (76) REQUIRED WITH NO TARP

ITEM #	QTY.	PART #	DESCRIPTION
1	6	85130	EXTENSION PANEL LOWER WELDMENT
2	3	85536	EXTENSION PANEL UPPER WELDMENT 8 7/8" TALL
3	1	85473	EXTENSION PANEL REAR AUGER SIDE WELDMENT
4	1	85472	EXTENSION PANEL FRONT AUGER SIDE WELDMENT
5	10	85133	EXTENSION MOUNT 1/2" STAKE
6	4	85132	EXTENSION OUTER LOWER SPACER 1/4"
7	2	85105	EXTENSION INNER FILLER STAKE 1/2"
8	2	85107	EXTENSION OUTER UPPER SPACER 1/4"
9	1	85470	EXTENSION PANEL FRONT NON-AUGER SIDE WELDMENT
10	1	85471	EXTENSION PANEL REAR NON-AUGER SIDE WELDMENT
11	2	85075A	GASKET 1" x 3/8" x 11' 6" LONG

Parts

BALZER_{INC}

1550 Extension Kit #85550



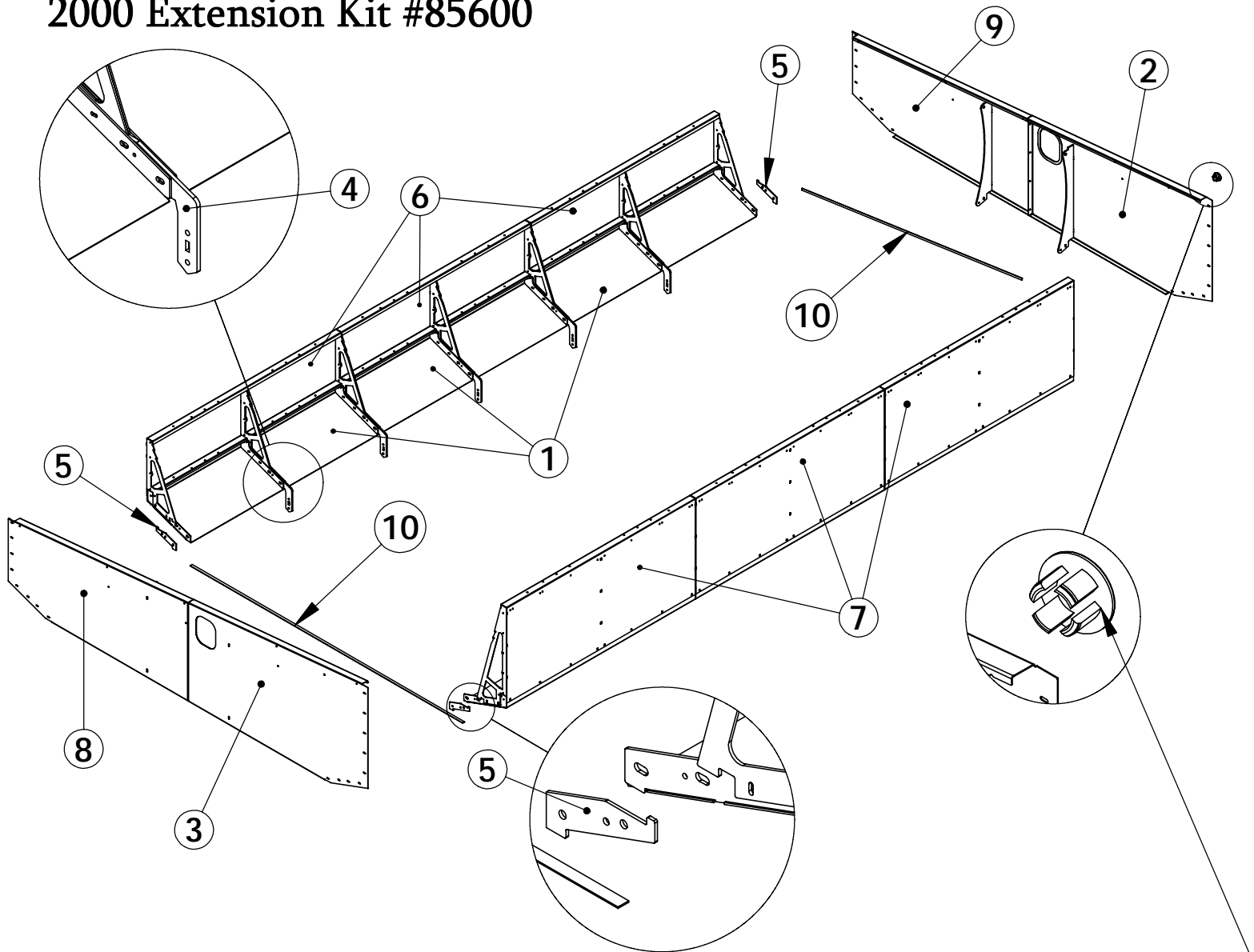
PART # 84916 (76) REQUIRED NO TARP

ITEM #	QTY.	PART #	DESCRIPTION
1	6	85130	EXTENSION PANEL LOWER WELDMENT
2	1	85559	EXTENSION PANEL REAR AUGER SIDE WELDMENT
3	1	85558	EXTENSION PANEL FRONT AUGER SIDE WELDMENT
4	10	85133	EXTENSION MOUNT 1/2" STAKE
5	4	85132	EXTENSION OUTER LOWER SPACER 1/4"
6	3	85536	EXTENSION PANEL UPPER WELDMENT 8 7/8" TALL
7	3	85551	EXTENSION PANEL UPPER WELDMENT 22 5/16" TALL
8	1	85556	EXTENSION PANEL FRONT NON-AUGER SIDE WELDMENT
9	1	85557	EXTENSION PANEL REAR NON-AUGER SIDE WELDMENT
10	2	85075A	GASKET 1" x 3/8" x 11' 6" LONG

Parts

BALZER^{INC}

2000 Extension Kit #85600



PART # 84916 (76) REQUIRED NO TARP

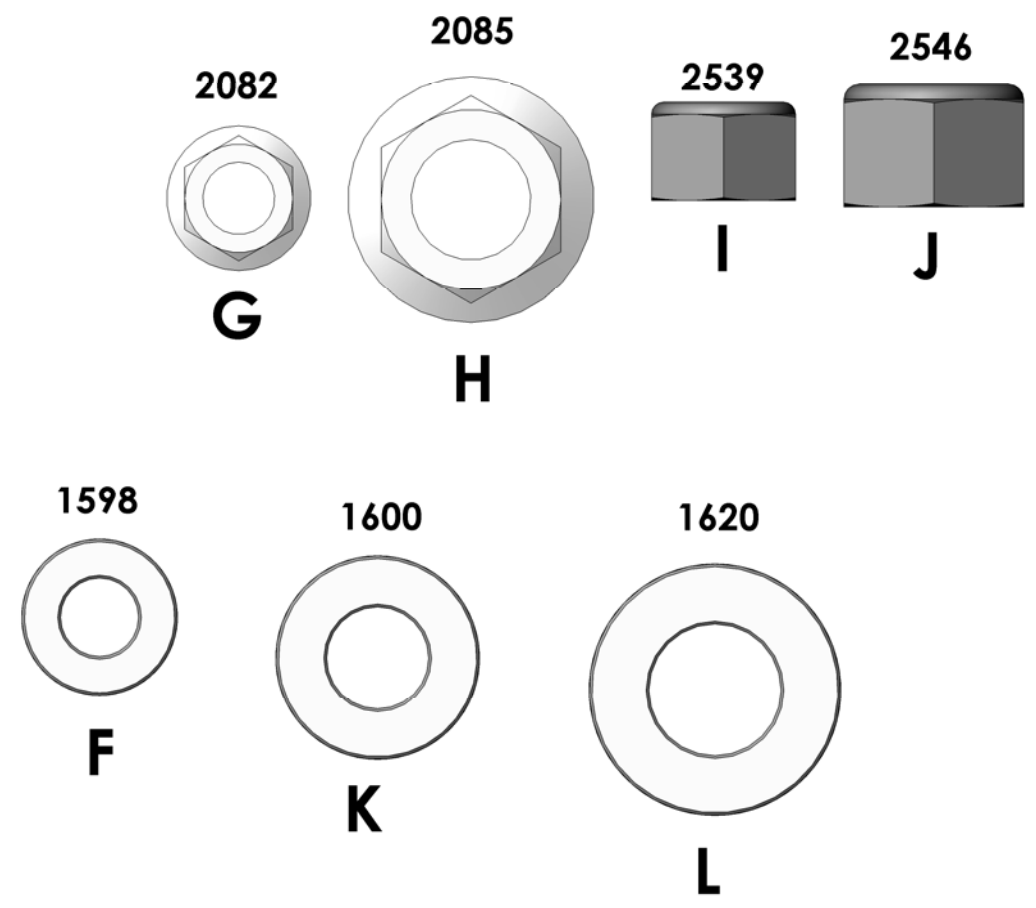
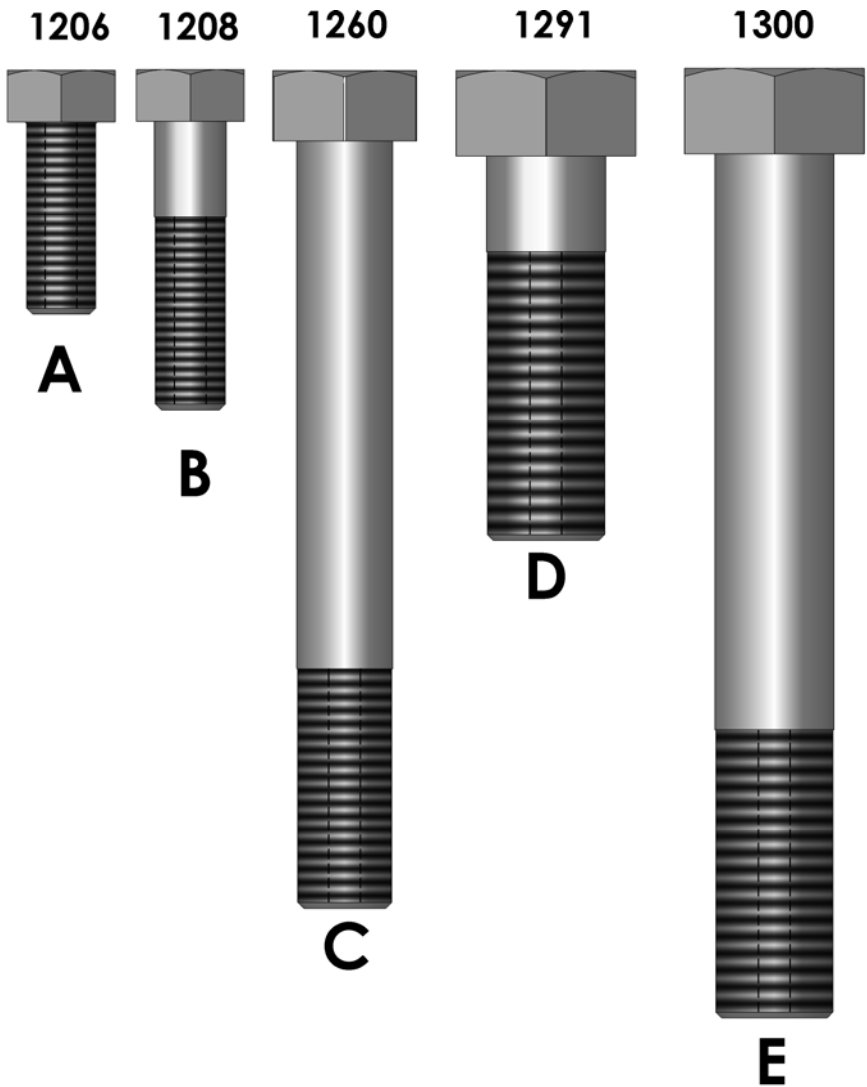
ITEM #	QTY.	PART #	DESCRIPTION
1	6	85130	EXTENSION PANEL LOWER WELDMENT
2	1	85609	EXTENSION PANEL REAR AUGER SIDE WELDMENT
3	1	85608	EXTENSION PANEL FRONT AUGER SIDE WELD
4	10	85133	EXTENSION MOUNT 1/2" STAKE
5	4	85132	EXTENSION OUTER LOWER SPACER 1/4"
6	3	85151	EXTENSION PANEL UPPER WELDMENT 22 5/16" TALL
7	3	85601	EXTENSION PANEL UPPER 39"
8	1	85606	EXTENSION PANEL FRONT NON-AUGER SIDE WELD
9	1	85607	EXTENSION PANEL REAR NON-AUGER SIDE WELDMENT
10	1	85075	GASKET 1" x 3/8" x 25' LONG
10	2	85075A	GASKET 1" x 3/8" x 11' 6" LONG

Extension Bolt Locations

Grain Cart Extension Bolt Quantities		1325 Bu.	1550 Bu.	2000 Bu.
Part #	Description	Quantity	Quantity	Quantity
1206	BOLT HEXHEAD .37" x 1.00" - UNC 16 GR5	38	78	98
1208	BOLT HEXHEAD .37" x 1.50" - UNC 16 GR5	37	46	46
1598	WASHER FLAT .37"	58	92	102
2082	NUT WHIZ .37" - 16 UNC	75	124	144
1260	BOLT HEXHEAD .5" x 4.00" - UNC 13 GR5	8	8	8
1600	WASHER FLAT .50"	8	8	8
2539	NUT TOPLOCK .50" - 13 UNC	8	8	8
1291	BOLT HEXHEAD .62" x 2.00" - UNC 11 GR5	20	20	20
1300	BOLT HEXHEAD .62" x 4.50" - UNC 11 GR5	20	20	20
1620	WASHER FLAT .62"	20	20	20
2085	NUT WHIZ .62" - 11 UNC	20	20	20

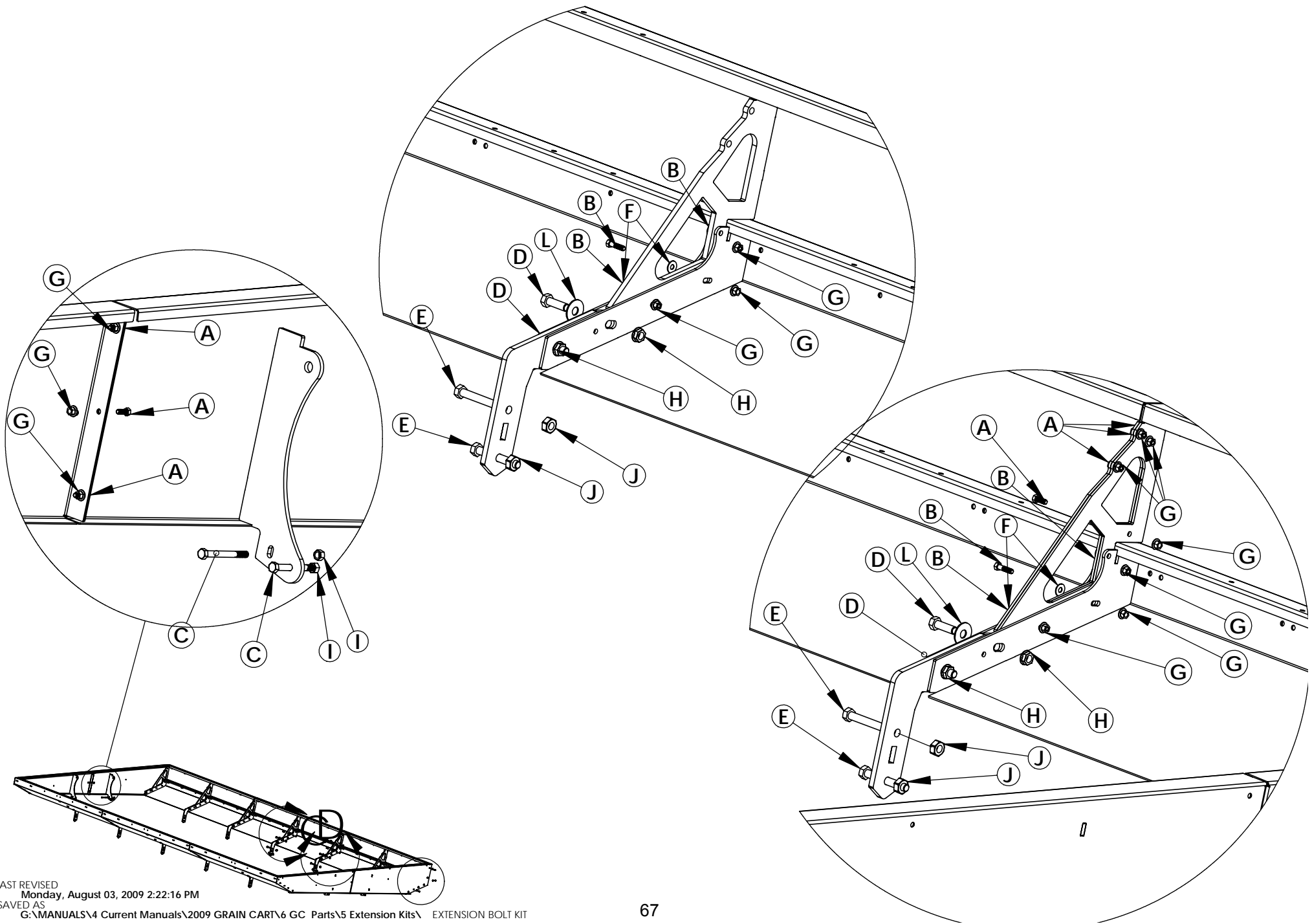
Parts

Extension Bolt Locations



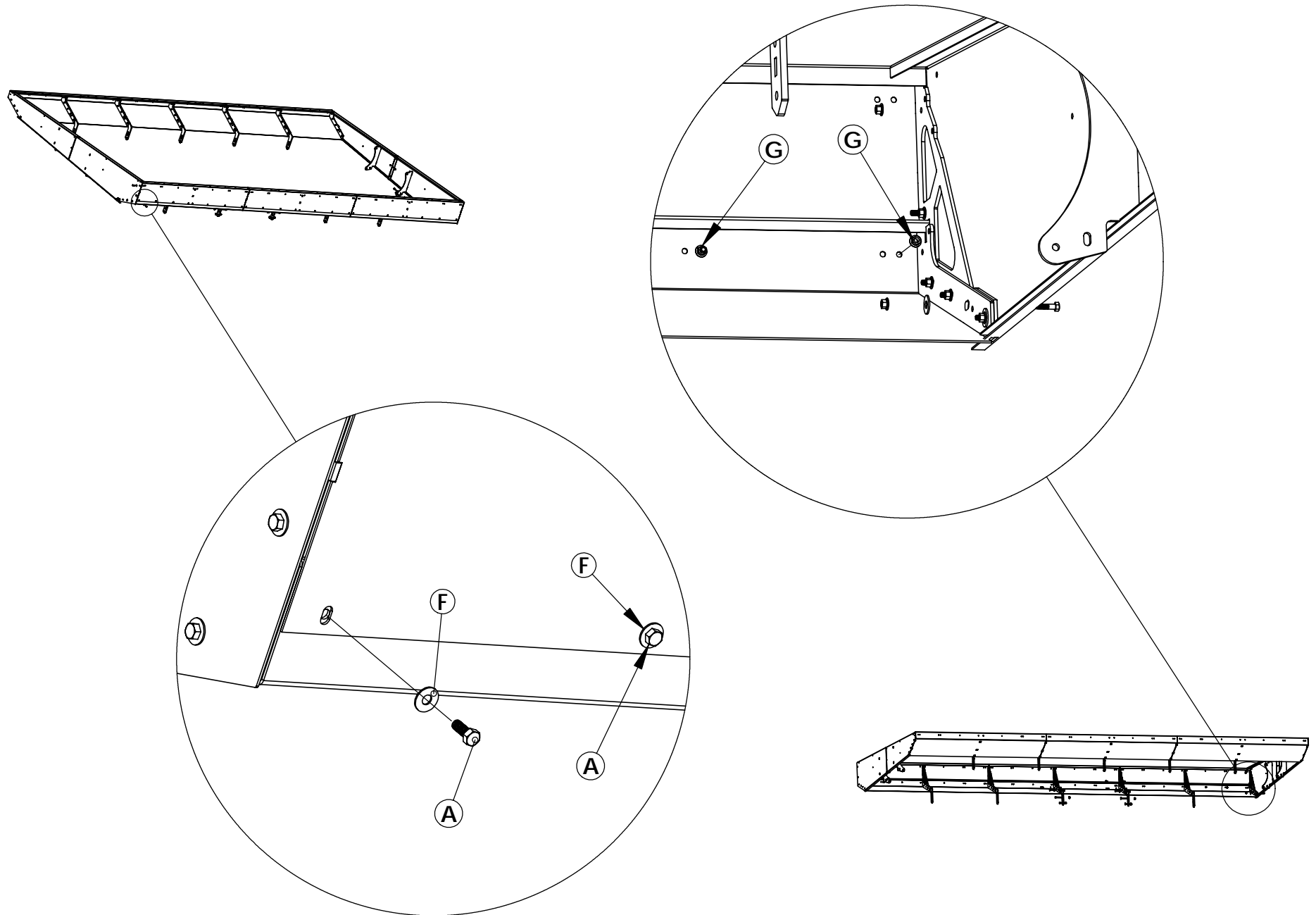
DRAWINGS ARE FULL SIZE

Parts Extension Bolt Locations



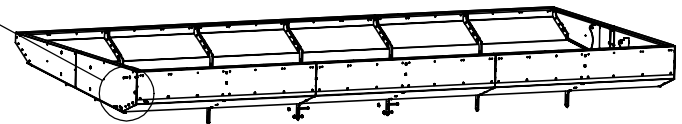
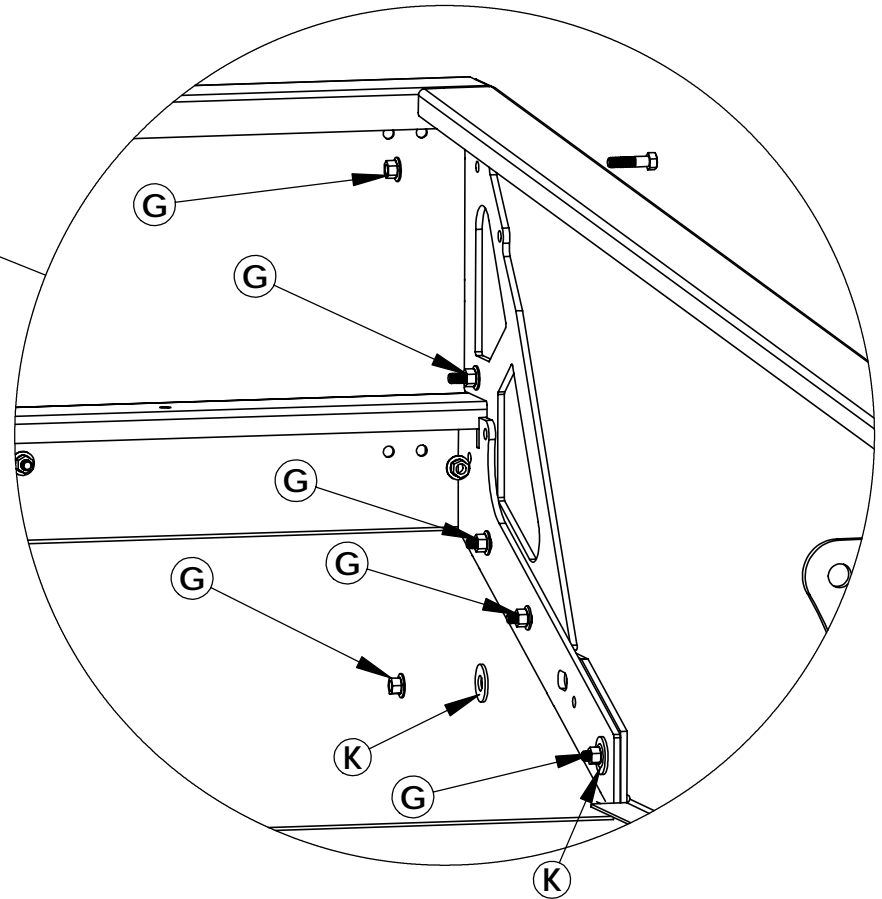
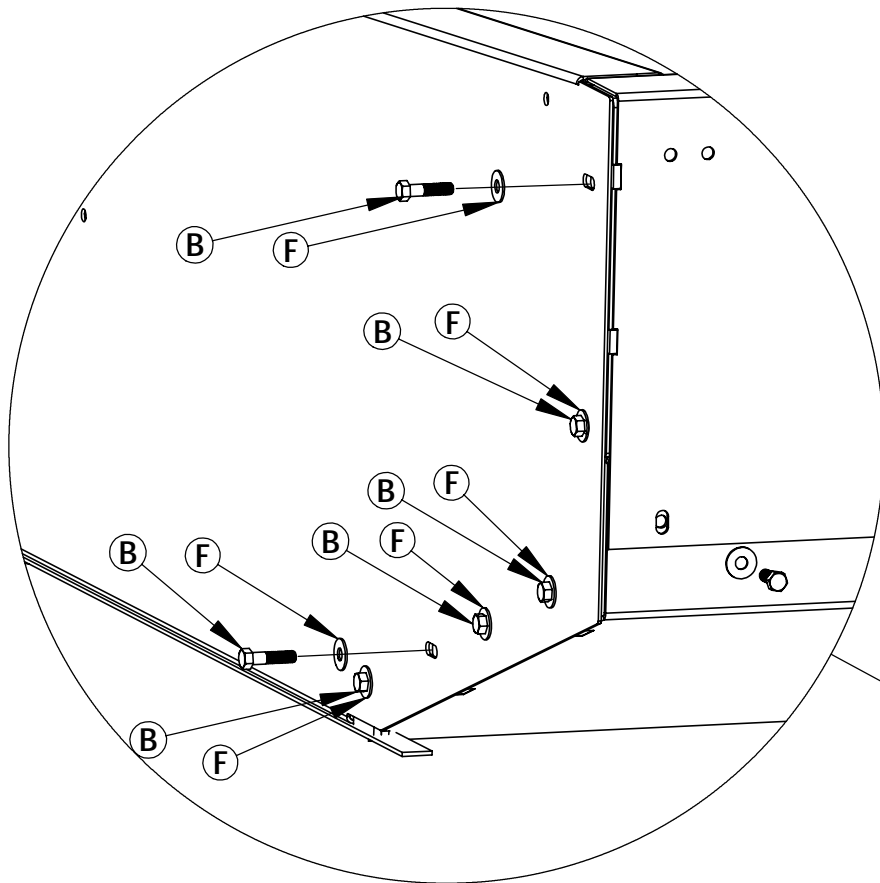
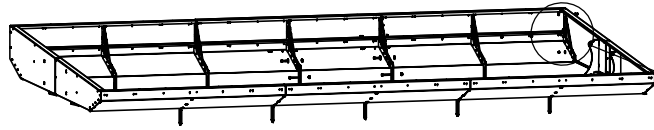
Parts

Extension Bolt Locations



Parts

Extension Bolt Locations



Parts



IT IS THE POLICY OF BALZER COMPANY TO CONSTANTLY IMPROVE ITS PRODUCTS WHENEVER IT IS PRACTICAL TO DO SO. THEREFORE, BALZER COMPANY RESERVES THE RIGHT TO REDESIGN OR CHANGE ITS EQUIPMENT OR COMPONENT PARTS THEREOF WITHOUT INCURRING THE OBLIGATION TO INSTALL OR FURNISH SUCH CHANGES ON EQUIPMENT PREVIOUSLY DELIVERED.

INSTRUCTIONS FOR ORDERING PARTS

To enable our customer service department to provide you with the correct replacement parts promptly and accurately, follow the ordering instructions as listed below.

Identify your equipment by serial number whenever possible.

Use part numbers and descriptions from the illustration drawings furnished to assist in identifying the needed parts.

Owners, order all parts through your local dealer.

Dealers must indicate company name, shipping point and mailing address for notification if different from shipping point. State whether freight, express, parcel or other handling is desired.

Send all parts to:

Balzer Inc.
County Road 27 East
PO Box 458
Mountain Lake, Mn 56159



INSTRUCTIONS FOR RETURNING PARTS FOR ADJUSTMENT

Dealers should inspect all parts when received. Shortages or damage should be noted by the carrier agent at the time the parts are accepted. Shippers responsibility ceases upon delivery of shipment to customer in good order. Claims for damage, loss, or malfunction are to be reported within thirty (30) days for warranty considerations.

All returned parts must have return authorization, a copy of the original packing list and transportation prepaid.

For replacement parts contact:

Ken Classen Extension 104
Doug Wellman Extension 108

For Service Contact:

Dave Bennett Extension 134



Phone Number: (800) 795-8551

(800) 727-3133

Main: (507) 427-3133

Fax Number: (507) 427-3640

Website: <http://www.balzerinc.com>