

2014 Balzer Grain Cart

Mountain Lake, MN



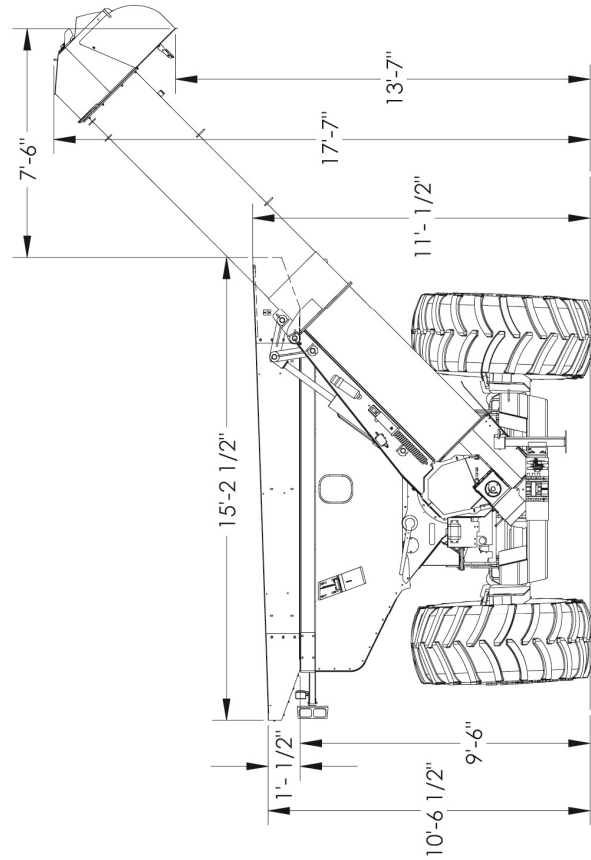
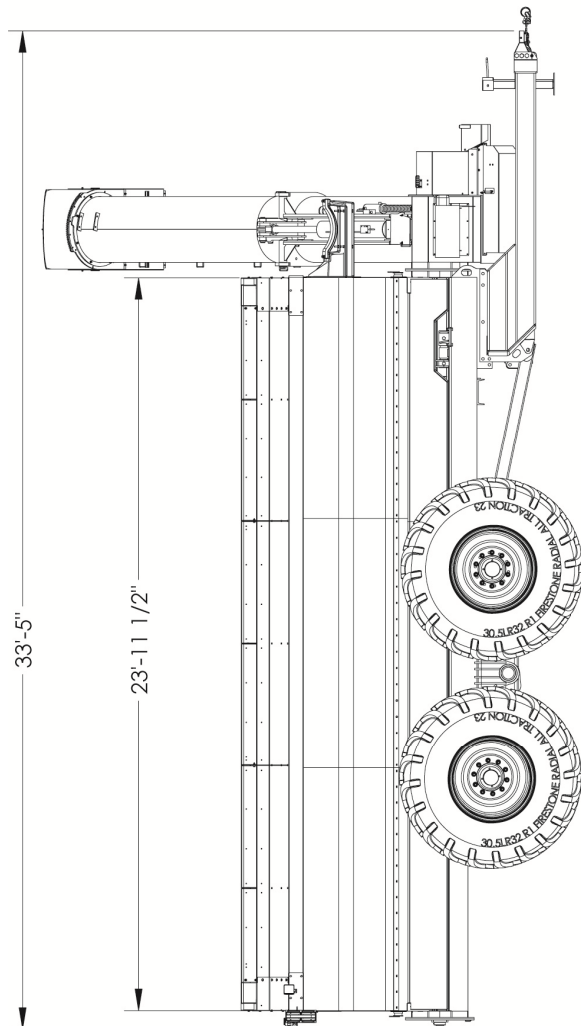
# BALZER



## PARTS MANUAL

# 1325 Bushel

## Tandem Dimensions

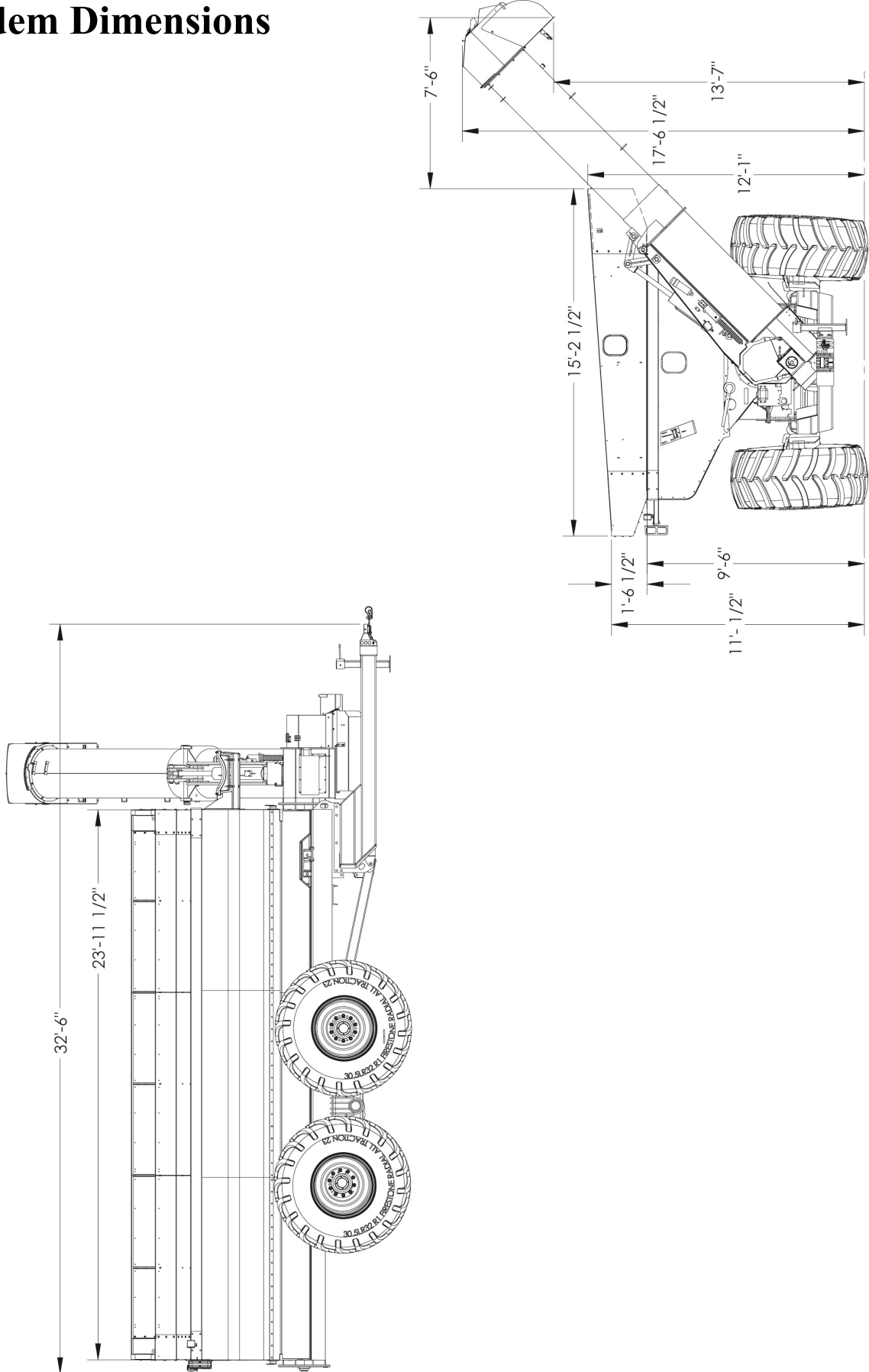




# 1550 Bushel



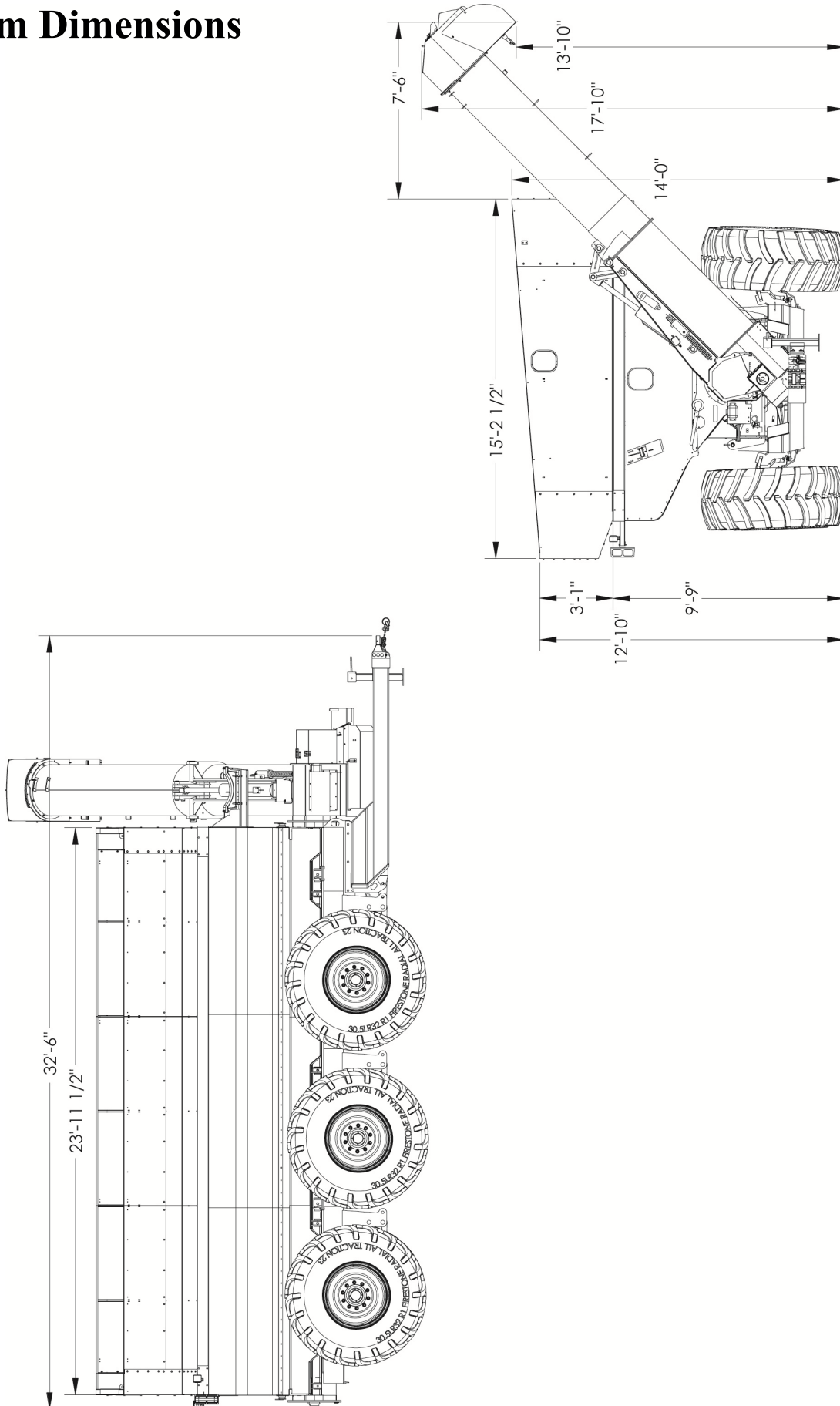
## Tandem Dimensions



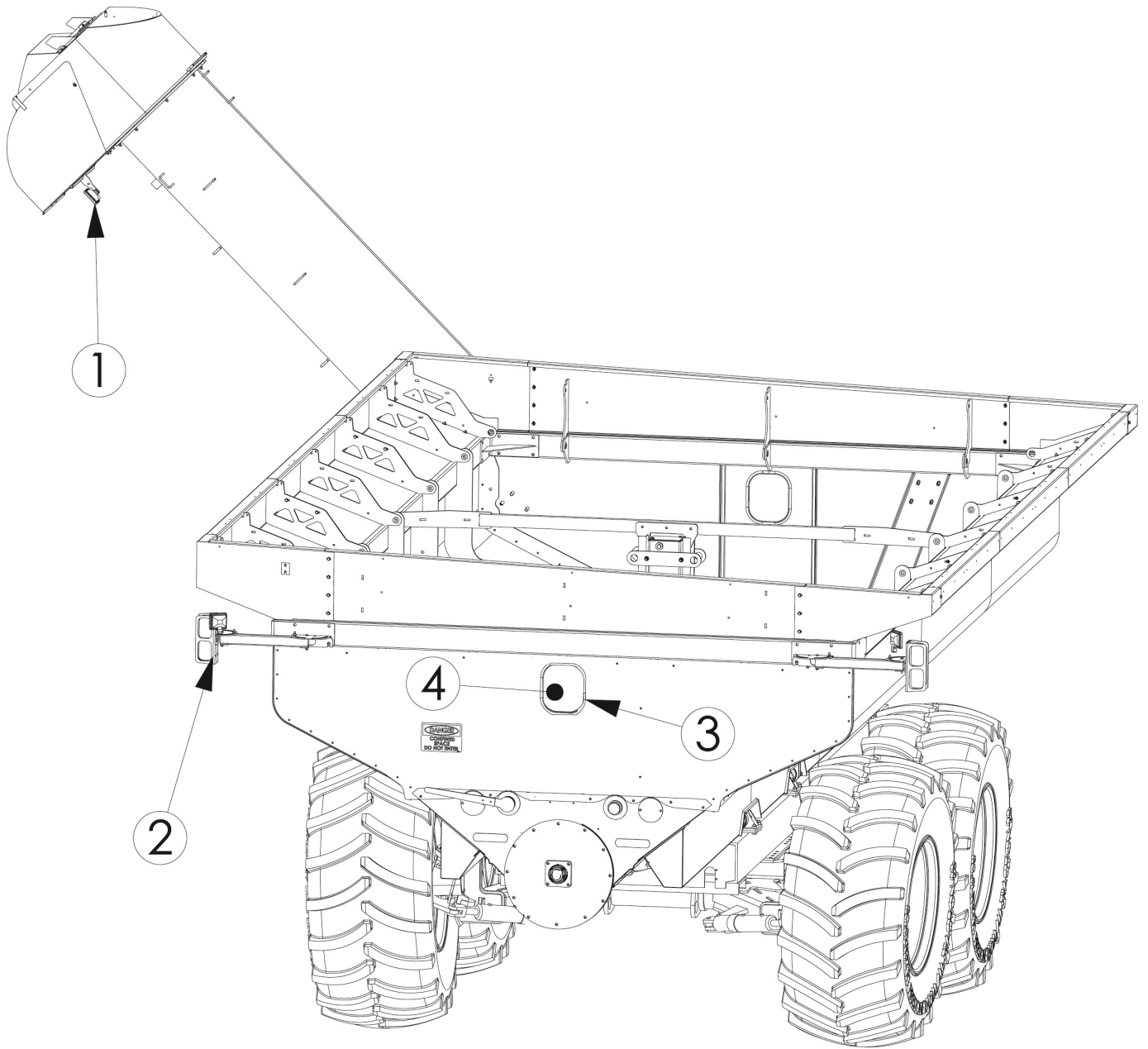
2000 Bushel



Tridem Dimensions

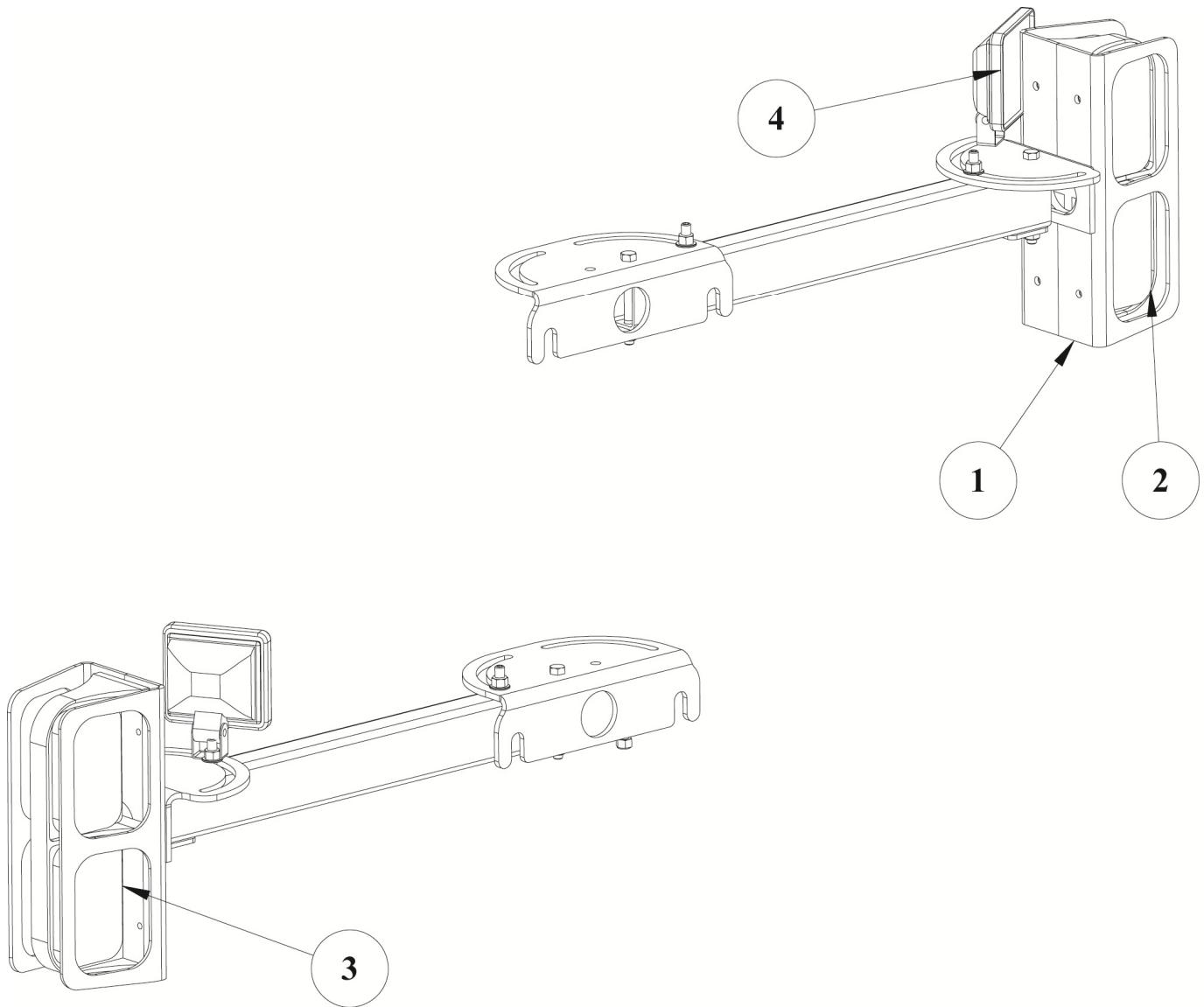


# Lights and Windows



ITEM #	QTY.	PART #	DESCRIPTION
1	1	60984	WORK LIGHT LED
2	1	72785	LIGHT KIT
3	2	90739	RUBBER SEAL - WEATHERSTRIP
4	2	90318	WINDOW IN GRAIN CART

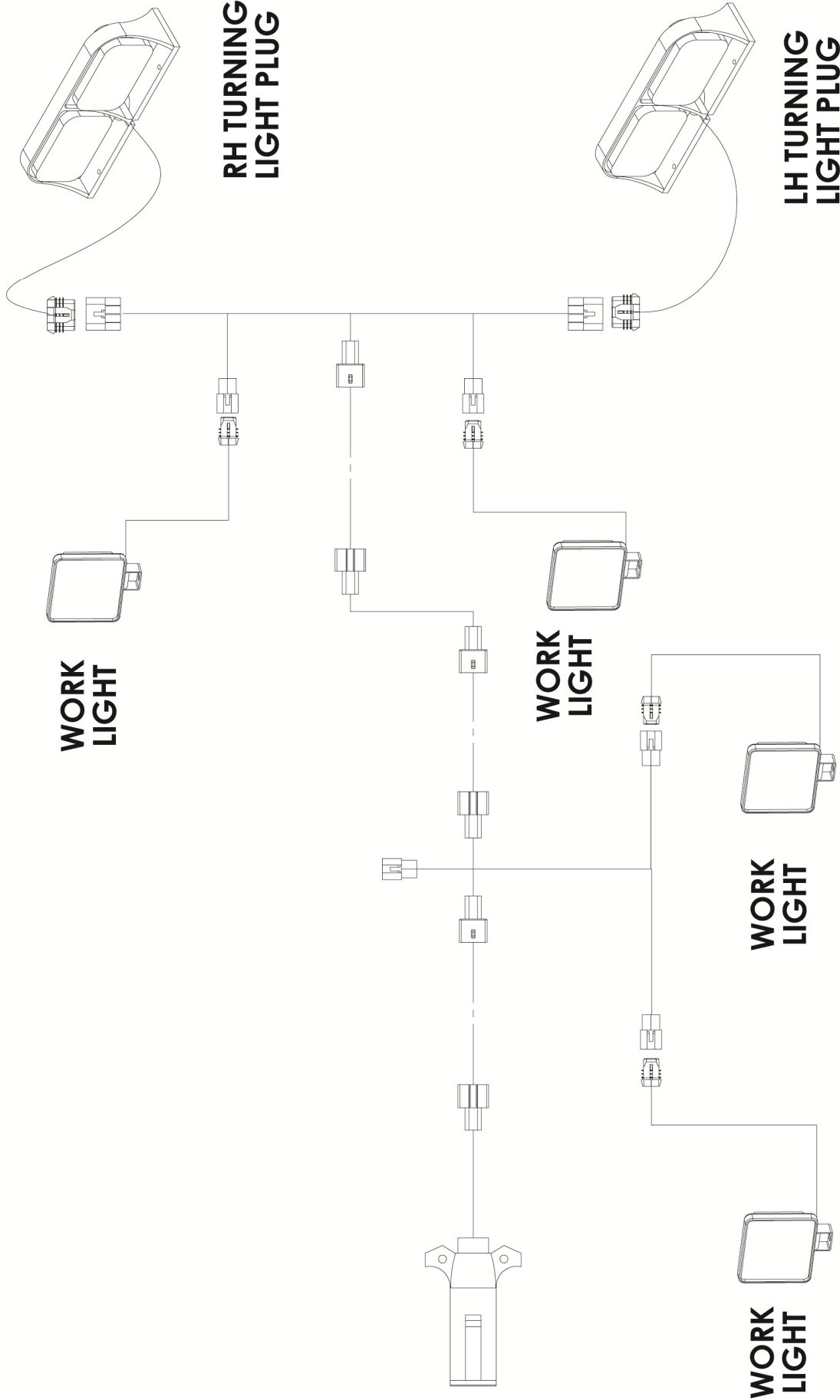
# 72785 Running Light Assembly



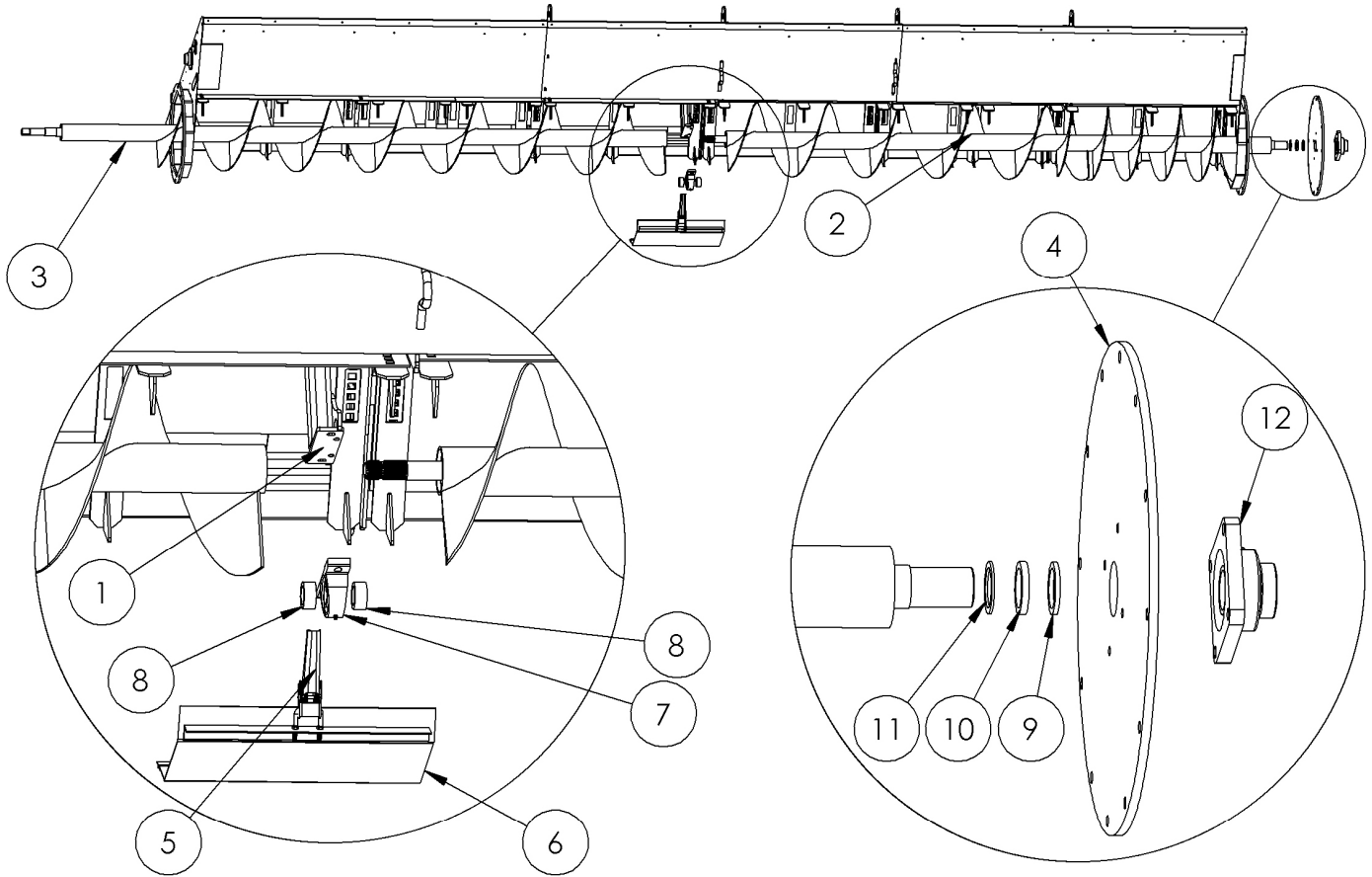
ITEM #	PART #	DESCRIPTION	QTY.
1	72786	LIGHT BRACKET WELD	2
2	40762	LIGHT TURNING RH	1
3	40763	LIGHT TURNING LH	1
4	60984	WORK LIGHT LED	2



# 72785 Running Light Assembly



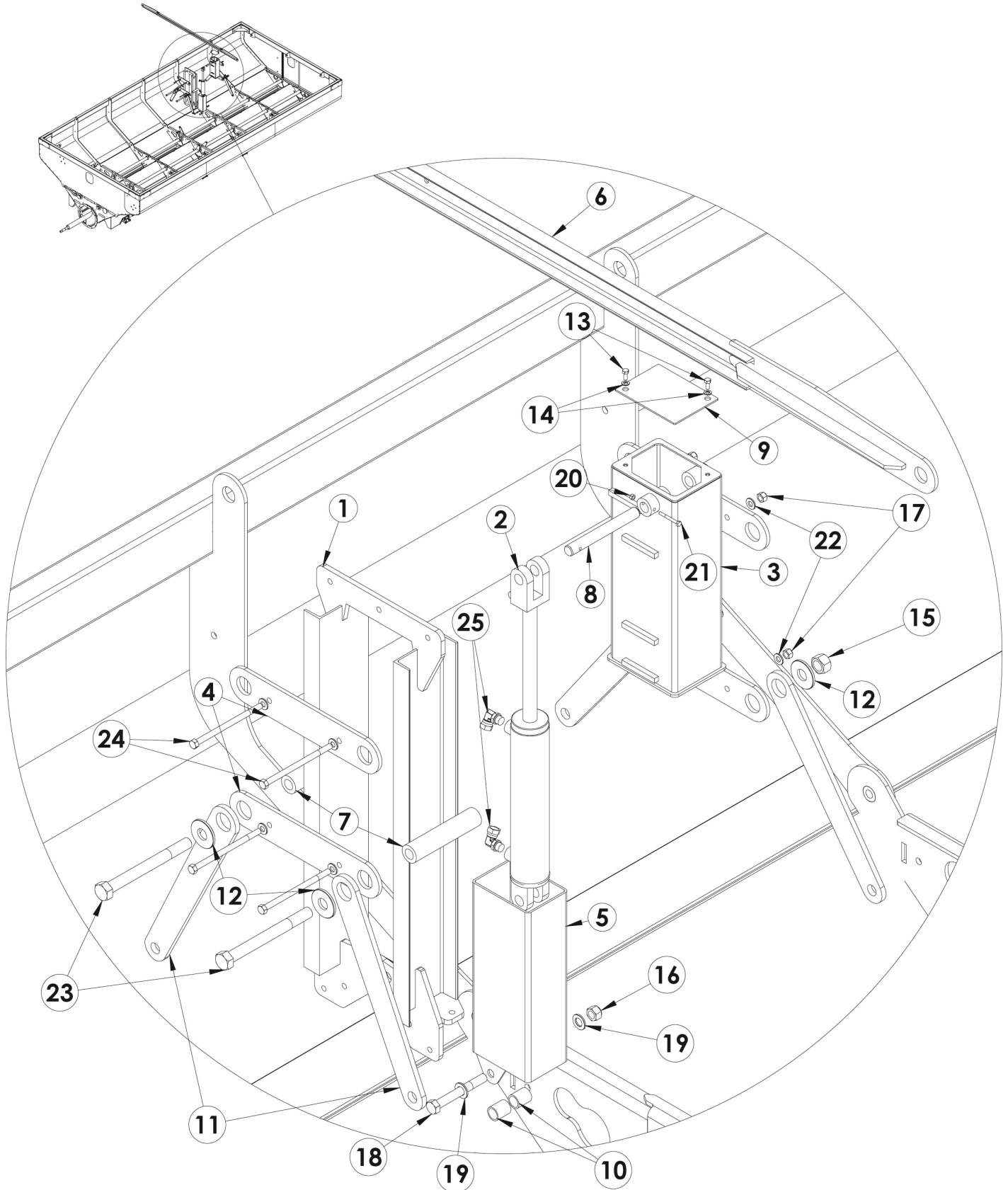
# 85700 Horizontal Auger



ITEM #	PART #	DESCRIPTION	QTY.
1	85960	HANGER, HORIZONTAL AUGER BEARING	
2	85953	AUGER, 20" HORIZONTAL, REAR	1
3	85952	AUGER, 20" HORIZONTAL, FRONT	1
4	85062	COVER, REAR HORIZONTAL AUGER, 27"	1
5	4072	HANDLE, COUPLER BALL HOOK - 4"/5"/6"	1
6	85411	DOOR, BOTTOM BEARING ACCESS	1
7	81915	MIDDLE BEARING ASSEMBLY, HORIZONTAL AUGER	1
8	85961	MIDDLE SLEEVE, HORIZONTAL AUGER	2
9	92415	WASHER, 2 7/8" OD X 2 3/16" ID X 1/4" TH	1
10	92414	WASHER, 2 7/8" OD X 2 3/16" ID X 3/8" TH	1
11	92413	WASHER, 2 7/8" OD X 2 3/16" ID X 1/8" TH	1
12	26872	BEARING PILLOW, HORIZONTAL AUGER, REAR	1

# 85850 Hyraudic Doors

**BALZER**



# 85850 Hydraulic Doors



ITEM #	QTY.	PART #	DESCRIPTION
1	1	85855	WELDMENT
2	1	85845	HYD CYL 3" BOREx 12" STROKEx 1.25" ROD - WELDED
3	1	85860	WELDMENT CYLINDER SLIDE OUTER
4	2	85852	PLATE .37" x 3.5" x 18.31" w/2 SETS OF HOLES
5	1	85868	WELDMENT CYLINDER SLIDE INNER
6	1	85865	TOP SUPPORT WELDMENT A-FRAME
7	2	85856	PIPE 1.75" x.369" DOM x8.0" LG
8	1	85717	PIN 1.0" x 8.37"
9	1	85722	PLATE 10GA - .13" x 5.87" x 7.87"
10	2	85867	SPACER PIPE 1" SCH 40 X 1 9/16" LG.
11	4	85854	PLATE 1/2" x 3" x 19 " HOLE TO HOLE
12	4	85864	WASHER FLAT 1.12" x 2.75" OD
13	2	1183	BOLT HEXHEAD .31" x .75" - UNC 18 GR5
14	2	1597	WASHER FLAT .31"
15	2	1779	NUT 1"-8 TOPLOCK
16	1	2593	NUT TOPLOCK .75" - 10 UNC
17	4	2539	NUT TOPLOCK .50" - 13 UNC GRADE 8
18	1	1322	BOLT HEXHEAD .75" x 6.00" - UNC 10 GR5
19	2	1603	WASHER FLAT .75"
20	1	2564	NUT TOPLOCK .25" -UNC 20 GR 5
21	1	1169	BOLT HEXHEAD .25" x 2.25" - UNC 20 GR5
22	8	1600	WASHER FLAT .50"
23	2	1353	BOLT HEXHEAD 1.00" x 10.00" - UNC 8 GR5
24	4	1267	BOLT HEXHEAD .50" x 8.00" - UNC 13 GR5
25	2	65319	HYD ELBOW .75 ORMX.50FS 90 (6901-8-8)

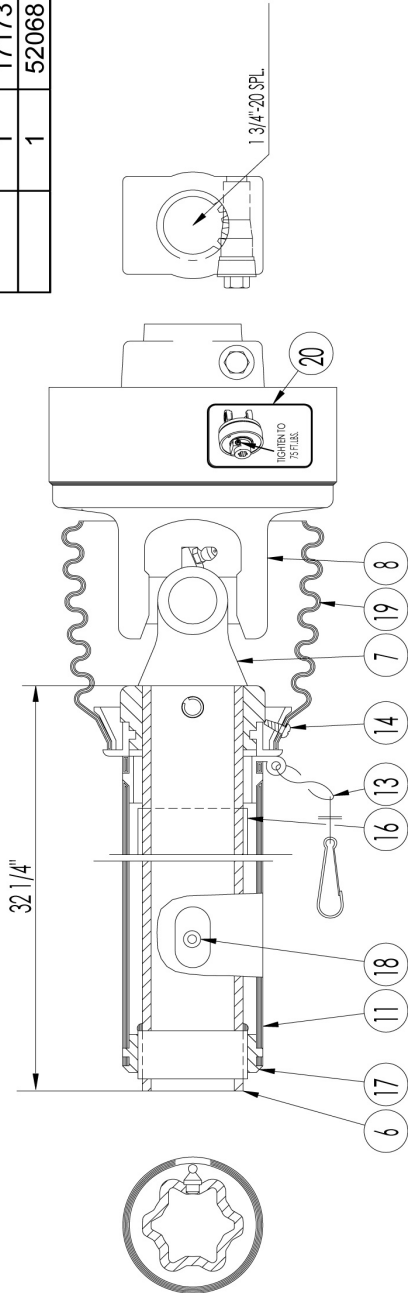
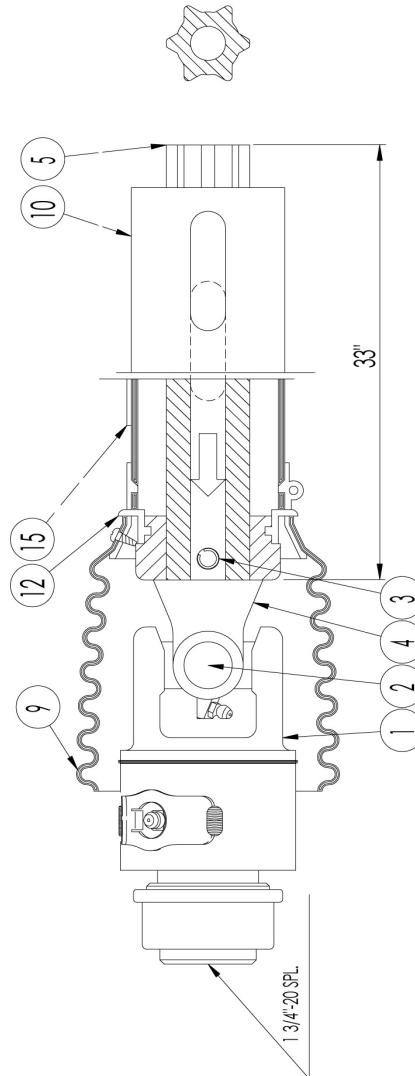


# PTO 1 3/4" - 1000RPM

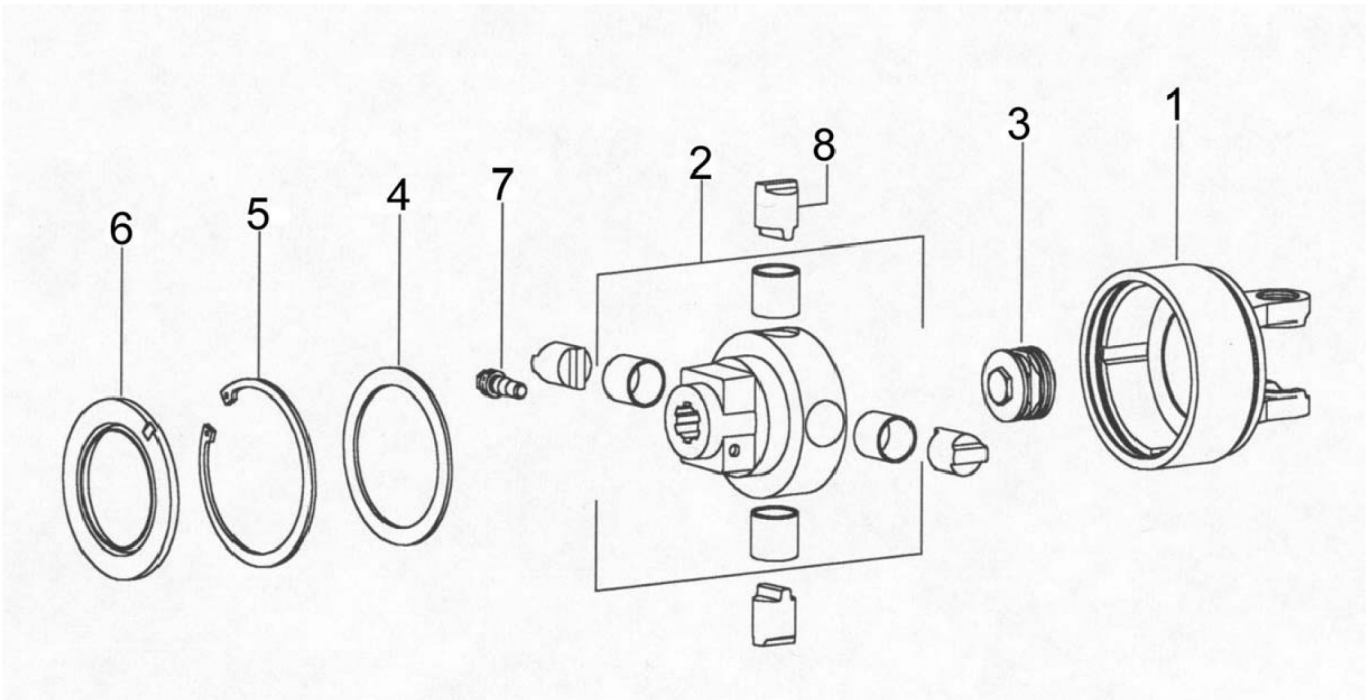


## Cut Out Clutch Part #37446WAL

BILL OF MATERIALS		
Item #	Quantity	Part # Description
1	1	52065 OVERRUNNING CLUTCH
2	2	17157 CROSS & BEARING KIT
3	2	17158 SPRING PIN 10 X 90
4	1	17159 INBOARD YOKE S4
5	1	52066 INNER PROFILE S4GA
6	1	50639 PROFILE(S5) & SLEEVE W.A.
7	1	17162 INBOARD YOKE S5
8	1	52067 CUT-OUT CLUTCH
9	1	17163 SHIELD CONE 7 RIB
10	1	50640 OUT. SHIELD TUBE OVL.
11	1	50641 INN. SHIELD TUBE RND.
12	2	16814 BEARING RING SC25
13	1	16815 SAFETY CHAIN
14	2	16818 SCREW-IN ITEM 9 & 19
15	1	16816 DECAL OUT.-IN ITEM 10
16	1	16817 DECAL INN.-IN ITEM 6
17	1	17171 SUPPORT BEARING
18	1	16820 ZERK-IN ITEM 6
19	1	50454 SHIELD CONE 6 RIB
20	1	52069 DECAL-K64
	1	17173 ASG COL. KIT-IN ITEM 1
	1	52068 CC LOCK ASSY-IN ITEM 8



# Cut Out Clutch P #52067



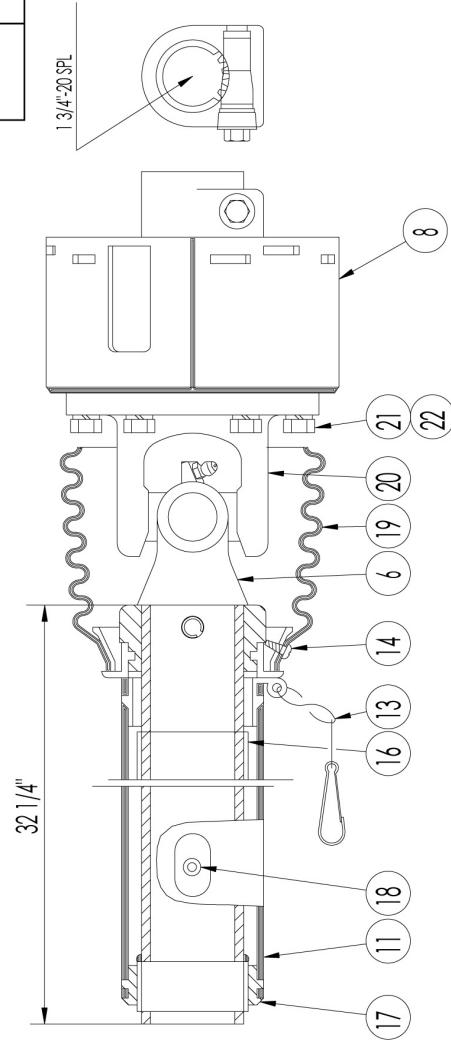
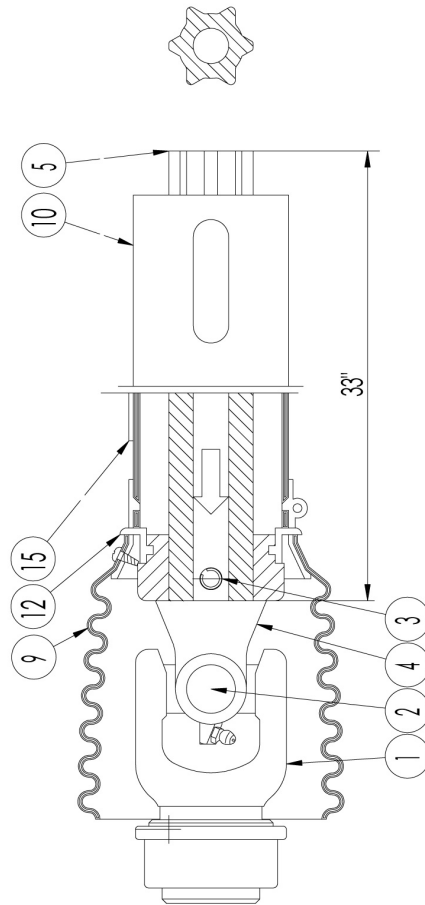
ITEM#	PART#	QTY	DESCRIPTION
1	52138	1	HOUSING
2	52139	1	HUB
3	52140	1	SPRING PACK
4	52141	1	WASHER
5	52142	1	RETAINING RING
6	52143	1	SEALING RING
7	52068	1	CLAMP CONE ASSEMBLY
8	52144	4	CAM

# PTO 1 3/4" - 1000RPM

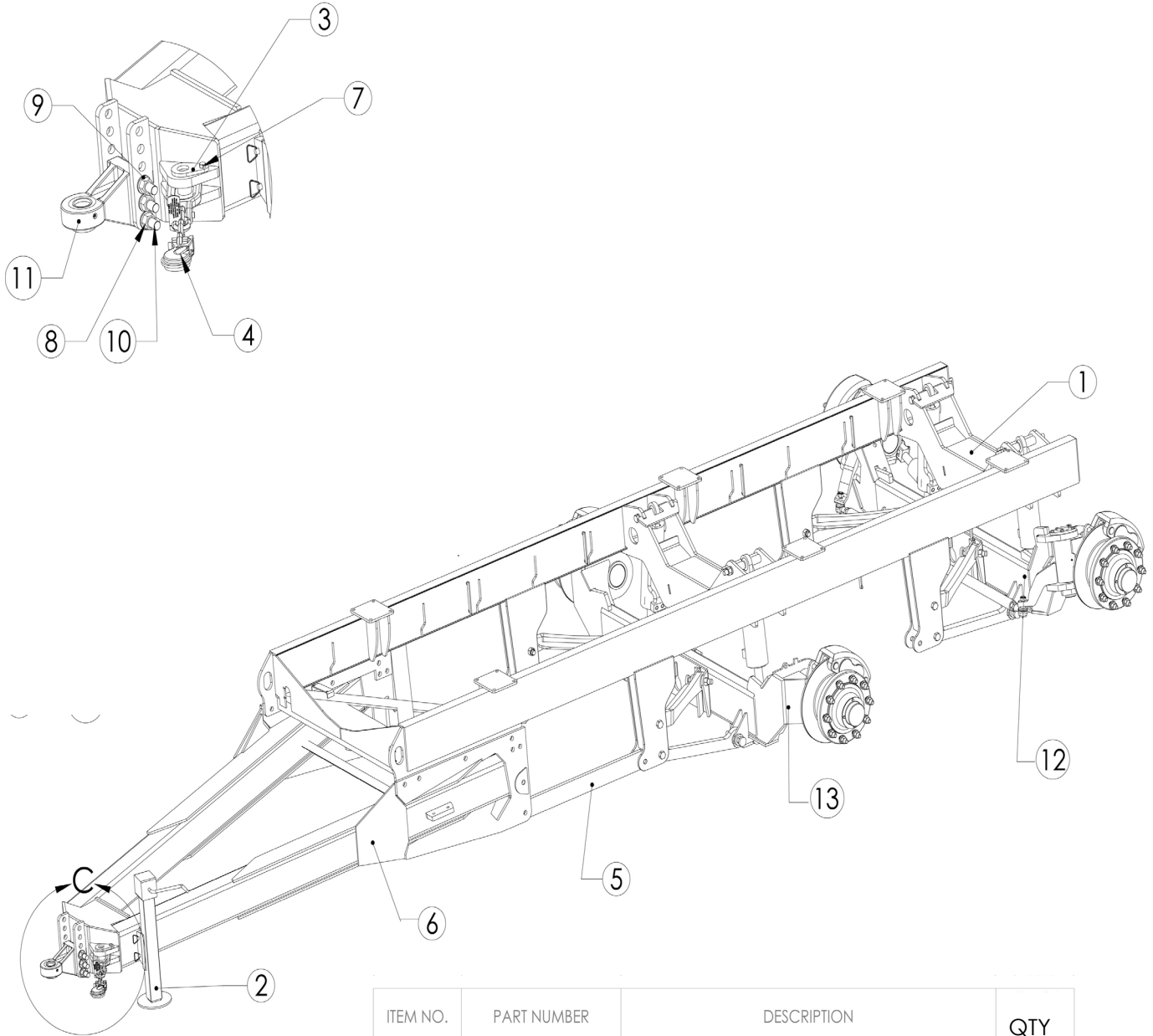


## Friction Clutch Part #37518WAL

BILL OF MATERIALS		
Item #	Quantity	Part # Description
1	1	17200 YOKE 1 3/4"-20 SPL ASG
2	2	17157 CROSS & BEARING KIT
3	2	17158 SPRING PIN 10 X 90
4	1	17159 INBOARD YOKE S4
5	1	52166 INNER PROFILE S4GA
6	1	52167 PROFILE(S5H) & SLEEVE WA
7	1	17162 INBOARD YOKE S5
8	1	52168 FRICTION/OVERRUNNING CLUTCH
9	1	17163 SHIELD CONE 7 RIB
10	1	52169 OUT. SHIELD TUBE OVL.
11	1	50972 INN. SHIELD TUBE RND.
12	2	16814 BEARING RING SC25
13	1	16815 SAFETY CHAIN
14	2	16818 SCREW-IN ITEM 9 & 19
15	1	16816 DECAL OUT.-IN ITEM 10
16	1	16817 DECAL INN.-IN ITEM 6
17	1	17171 SUPPORT BEARING
18	1	N/A ZERK-IN ITEM 6
19	1	50454 SHIELD CONE 6 RIB
20	1	50619 FLANGE YOKE
21	6	3043 BOLT M12 X 30
22	6	3063 LOCK WASHER M12
	1	17173 AS COL. KIT-IN ITEM 1
	1	50616 CC LOCK ASSY-IN ITEM 8



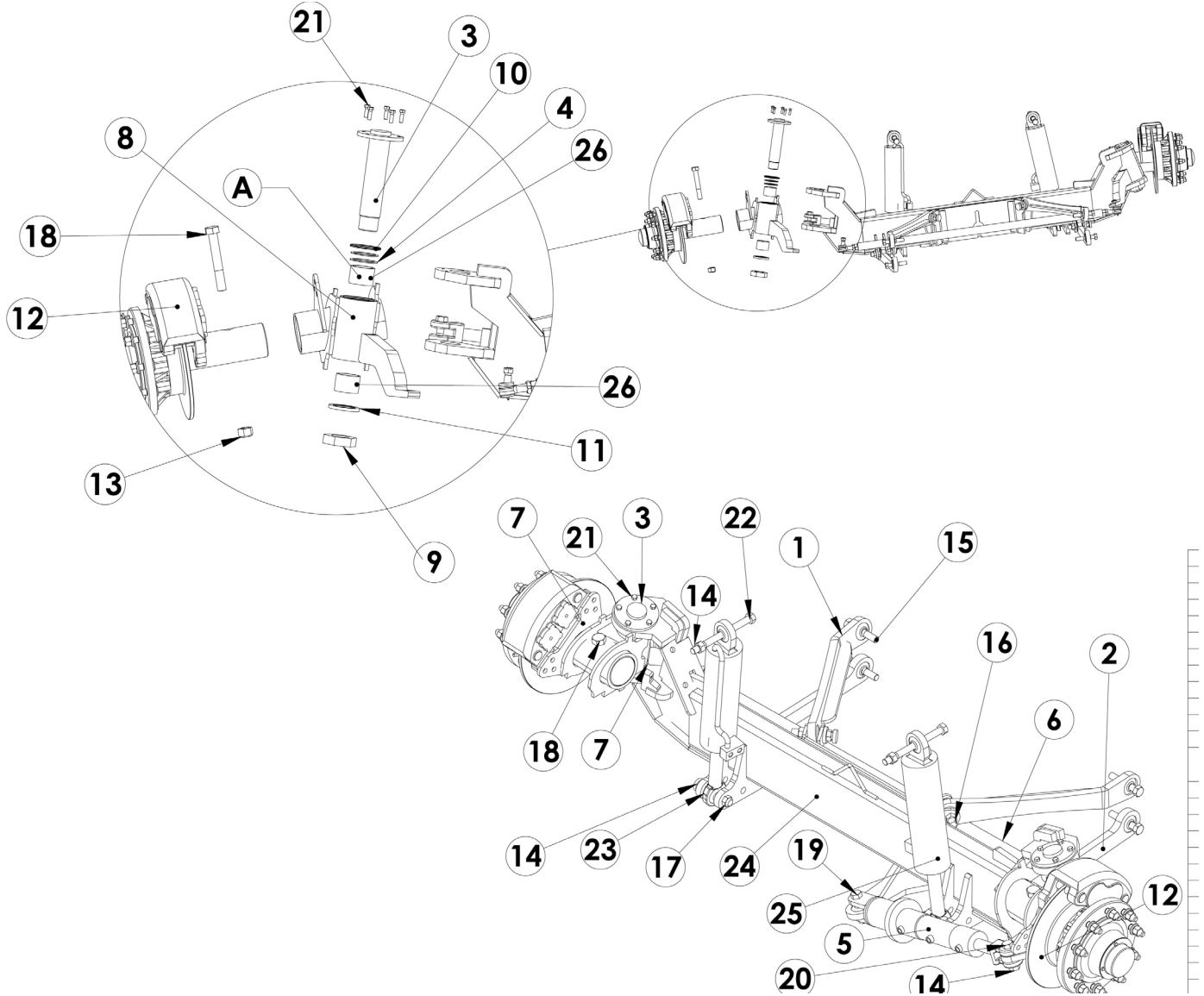
# Tandem Frame with 6 Weigh Bars



ITEM NO.	PART NUMBER	DESCRIPTION	QTY
1	212006	TRAILER TANDEM CROSS AXLE WELD GRAIN	1
2	85525	JACK ASSEMBLY KIT GRAIN CART AND TANKS	1
3	902500	PIN WELD SAFETY CHAIN	1
4	96169	CHAIN SAFETY 80,000 LB	1
5	213000	TUBE WELDMENT 86"	2
6	212806	TONGUE GRAIN CART 2013 30.5 TIRES	1
7	1249	BOLT HEXHEAD .50" x 1.25" - UNC 13 GR5	1
8	1779	NUT 1"-8 TOPLOCK	3
9	1605	WASHER FLAT 1.00"	3
10	85936	BOLT HEXHEAD 1.00" x 10" - UNC 8 GR8	3
11	85945	HITCH BULL PULL 3 BOLT	1
12	901506	AXLE IND ASM STEER 5"/60 INTERIOR SUSPENSION CYLINDERS	1
13	901505	AXLE IND FIXED 5"/60 INTERIOR SUSPENSION CYLINDERS	1

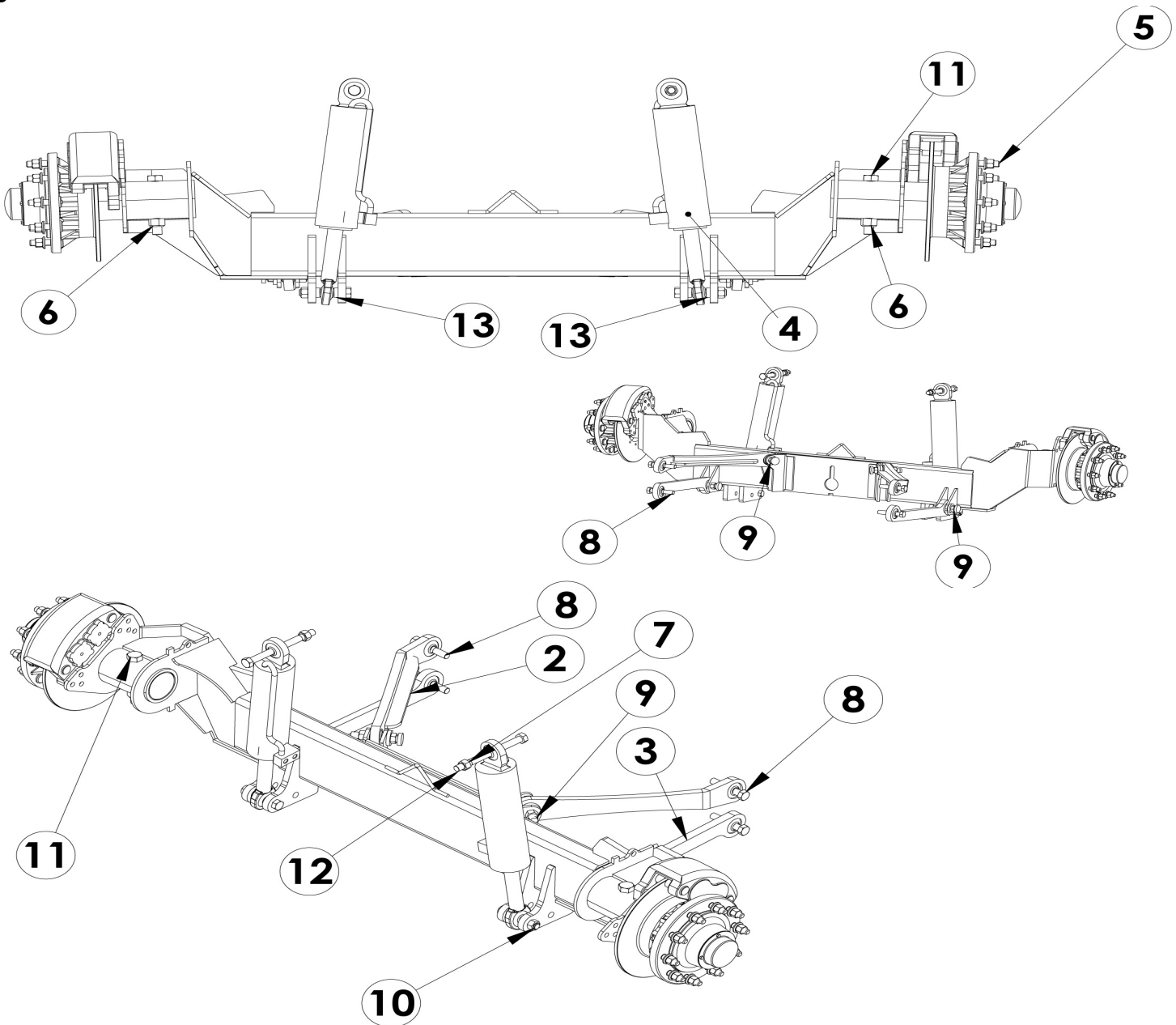


# 901506 Steering Axle



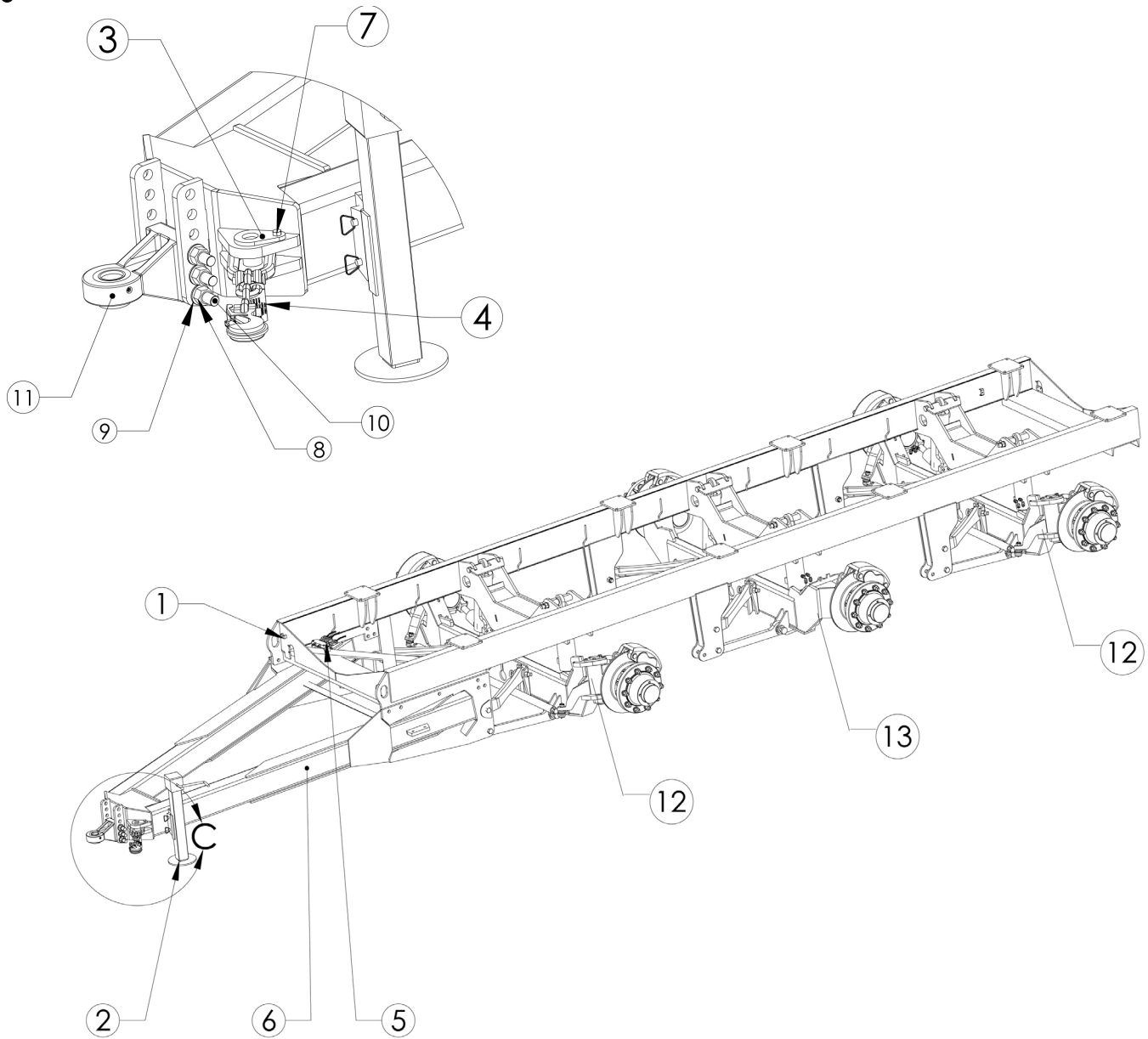
ITEM #	QTY	PART #	DESCRIPTION
1	2	900052	AXLE DRAG LINK UPPER BAR WELD
2	2	900098	AXLE DRAG LINK LOWER BAR WELD
3	2	900082	AXLE KING PIN BOLT
4	4	70123	THRUST WASHER
5	1	85300	CLYINDER, STEERING 3000 PSI
6	1	900061	AXLE TIE ROD 72.25" LG
7	1	900065	AXLE KING PIN RECEIVER LH 5
8	1	900066	AXLE KING PIN RECEIVER RH 5
9	2	900085	NUT JAM 2.75" - 12 UNF
10	2	900116	O-RING QUAD 4.12" OD x 0.21"TH -346
11	2	900117	SEAL 3.00" x4.50" x0.43" -TA BUNA
12	2	900126	HUB & SPINDLE 5" /20,000 LBS /10BOLT /13.18"BC /13.81 /BRAKE
13	2	1780	NUT TOPLOCK 1.25" - 7 UNC
14	6	1779	NUT 1"-8 TOPLOCK
15	4	1348	BOLT HEXHEAD 1.00" x 5.50" - UNC 8 GR5
16	4	1347	BOLT HEXHEAD 1.00" x 5.00" - UNC 8 GR5
17	2	1349	BOLT HEXHEAD 1.00" x 6.00" - UNC 8 GR5
18	2	33870	BOLT HEXHEAD 1.25" x 8.50" - UNC 7 GR5
19	1	1346	BOLT HEXHEAD 1.00" x 4.50" - UNC 8 GR5
20	1	1345	BOLT HEXHEAD 1.00" x 4.00" - UNC 8 GR5
21	10	1250	BOLT HEXHEAD .50" x 1.50" - UNC 13 GR5
22	2	1358	BOLT HEXHEAD 1.00" x 12.00" - UNC 8 GR5
23	4	83329	PIPE 1.50" x .23" DOM x .50" LG
24	1	902510	AXLE IND TUBE STEER WELD 60
25	2	900335	HYD CYLINDER 5.00" x 14" BAL-SOC 5000PSI
26	4	865045	BUSHING POLYGON BM4571

# 900505 Straight Axle



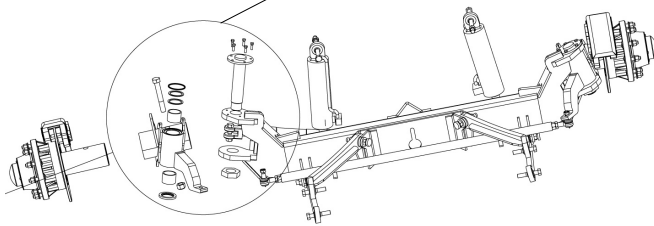
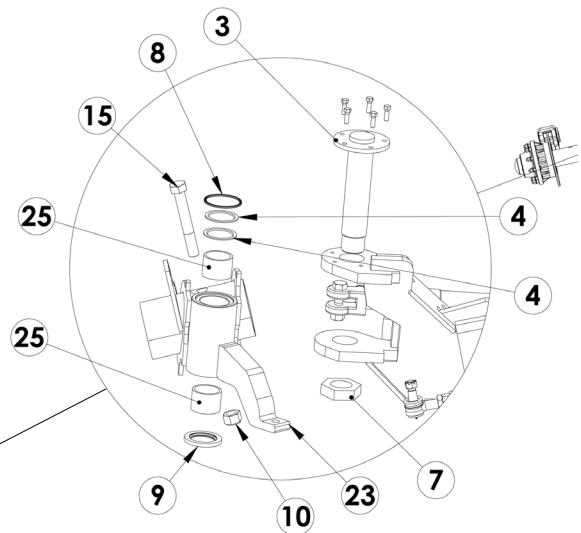
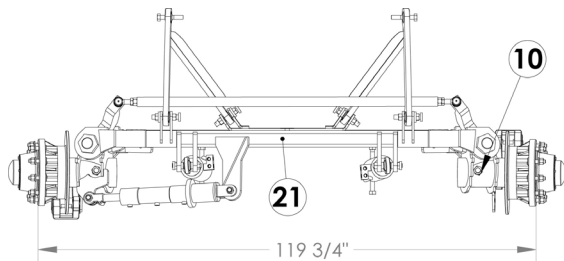
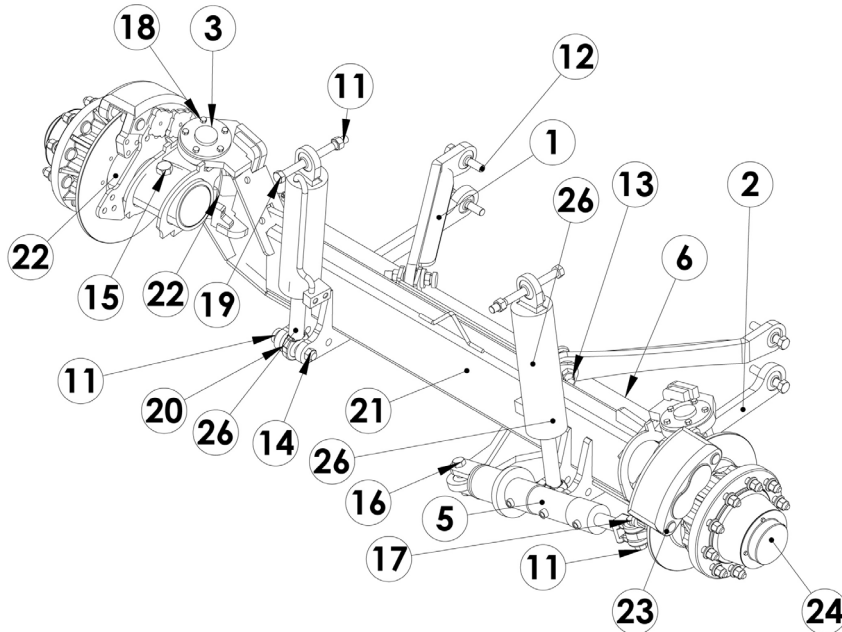
ITEM #	QTY	PART #	DESCRIPTION
1	1	902509	AXLE IND TUBE SOLID WELD 5"/60
2	2	900052	AXLE DRAG LINK UPPER BAR WELD
3	2	900098	AXLE DRAG LINK LOWER BAR WELD
4	2	900335	HYD CYLINDER 5.00" x 14" BAL-SOC 5000PSI
5	2	900126	HUB & SPINDLE 5" /20,000 LBS /10BOLT /13.18"BC /13.81 /BRAKE
6	2	1780	NUT TOPLOCK 1.25" - 7 UNC
7	4	1779	NUT 1"-8 TOPLOCK
8	4	1348	BOLT HEXHEAD 1.00" x 5.50" - UNC 8 GR5
9	4	1347	BOLT HEXHEAD 1.00" x 5.00" - UNC 8 GR5
10	2	1349	BOLT HEXHEAD 1.00" x 6.00" - UNC 8 GR5
11	2	33870	BOLT HEXHEAD 1.25" x 8.50" - UNC 7 GR5
12	2	1358	BOLT HEXHEAD 1.00" x 12.00" - UNC 8 GR5
13	4	83329	PIPE 1.50" x .23" DOM x .50" LG

# Tridem Frame with 8 Weigh Bars



ITEM NO.	PART NUMBER	DESCRIPTION	QTY
1	212007	TRAILER WELD INTERIOR CYL TRIDEM GRAIN	1
2	85525	JACK ASSEMBLY KIT GRAIN CART AND TANKS	1
3	902500	PIN WELD SAFETY CHAIN	1
4	96169	CHAIN SAFETY 80,000 LB	1
5	900321	HYD. KIT STEERING AND SUSPENSION IND. TRIDEM GC	1
6	212806	TONGUE GRAIN CART 2013 30.5 TIRES	1
7	1249	BOLT HEXHEAD .50" x 1.25" - UNC 13 GR5	1
8	1779	NUT 1"-8 TOPLOCK	3
9	1605	WASHER FLAT 1.00"	3
10	85936	BOLT HEXHEAD 1.00" x 10" - UNC 8 GR8	3
11	85945	HITCH BULL PULL 3 BOLT	1
12	901508	STEERING AXLE 6" SPINDLES	2
13	901507	STRAIGHT AXLE 6" SPINDLE	

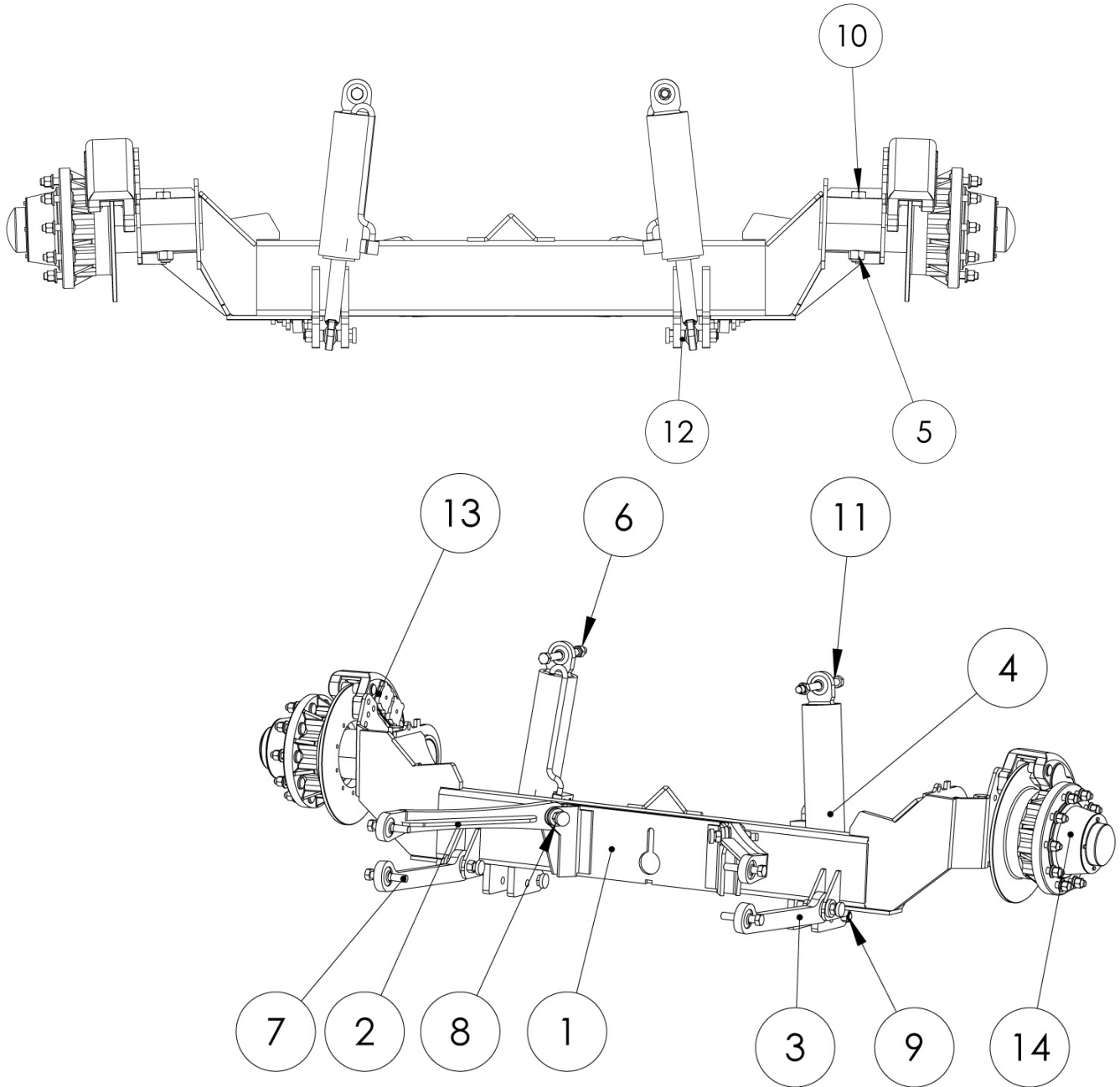
# 901508 6" Steering Axle



ITEM #	QTY	PART #	DESCRIPTION
1	2	900052	AXLE DRAG LINK UPPER BAR WELD
2	2	900098	AXLE DRAG LINK LOWER BAR WELD
3	2	900082	AXLE KING PIN BOLT
4	4	70123	THRUST WASHER
5	1	85300	CYLINDER, STEERING 3000 PSI
6	1	900061	AXLE TIE ROD 72.25" LG
7	2	900085	NUT JAM 2.75" -12 UNF
8	2	900116	O-RING QUAD 4.12" OD x 0.21"TH -346
9	2	900117	SEAL 3.00" x4.50" x0.43" -TA BUNA
10	2	1780	NUT TOPLOCK 1.25" - 7 UNC
11	6	1779	NUT 1"-8 TOPLOCK
12	4	1348	BOLT HEXHEAD 1.00" x 5.50" - UNC 8 GR5
13	4	1347	BOLT HEXHEAD 1.00" x 5.00" - UNC 8 GR5
14	2	1349	BOLT HEXHEAD 1.00" x 6.00" - UNC 8 GR5
15	2	33870	BOLT HEXHEAD 1.25" x 8.50" - UNC 7 GR5
16	1	1346	BOLT HEXHEAD 1.00" x 4.50" - UNC 8 GR5
17	1	1345	BOLT HEXHEAD 1.00" x 4.00" - UNC 8 GR5
18	10	1250	BOLT HEXHEAD .50" x 1.50" - UNC 13 GR5
19	2	1358	BOLT HEXHEAD 1.00" x 12.00" - UNC 8 GR5
20	4	83329	PIPE 1.50" x.23" DOM x.50" LG
21	1	902510	AXLE IND TUBE STEER WELD 60
22	1	900067	AXLE KING PIN RECEIVER LH 6
23	1	900068	AXLE KING PIN RECEIVER RH 6
24	2	900124	HUB & SPINDLE 6"/25,000 LBS /10 BOLT /13.18"BC /13.81" /BRAKE
25	4	865045	BUSHING POLYGON BM4571
26	2	900335	HYD CYLINDER 5.00" x 14" BAL-SOC 5000PSI



# 901507 6" Straight Axle

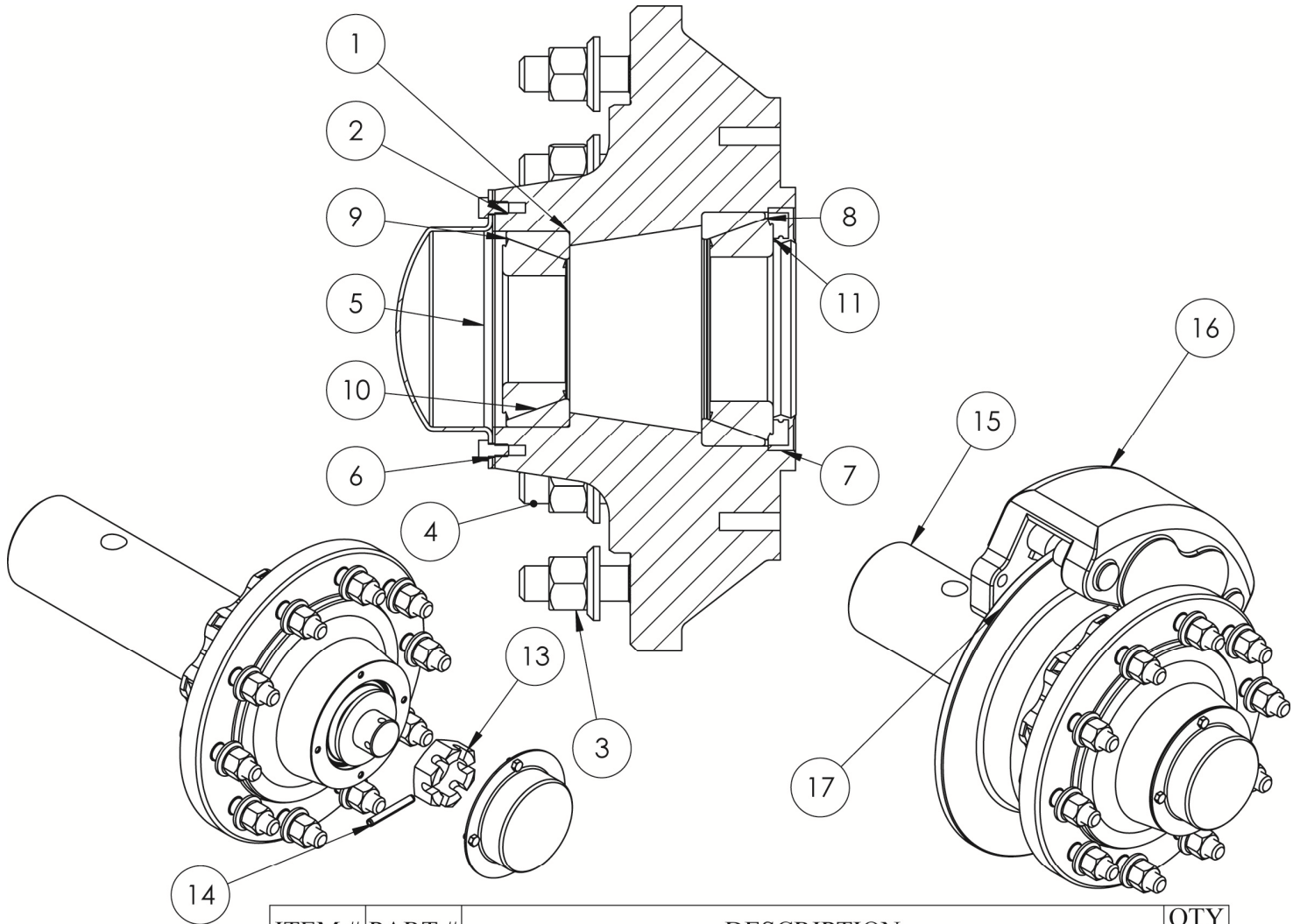


ITEM NO.	PART NUMBER	DESCRIPTION	QTY.
1	902511	AXLE IND TUBE SOLID WELD 6"/60	1
2	900052	AXLE DRAG LINK UPPER BAR WELD	2
3	900098	AXLE DRAG LINK LOWER BAR WELD	2
4	900335	HYD CYLINDER 5.00" x 14" BAL-SOC 5000PSI	2
5	1780	NUT TOPLOCK 1.25" - 7 UNC	2
6	1779	NUT 1"-8 TOPLOCK	4
7	1348	BOLT HEXHEAD 1.00" x 5.50" - UNC 8 GR5	4
8	1347	BOLT HEXHEAD 1.00" x 5.00" - UNC 8 GR5	4
9	1349	BOLT HEXHEAD 1.00" x 6.00" - UNC 8 GR5	2
10	33870	BOLT HEXHEAD 1.25" x 8.50" - UNC 7 GR5	2
11	1358	BOLT HEXHEAD 1.00" x 12.00" - UNC 8 GR5	2
12	83329	PIPE 1.50" x .23" DOM x .50" LG	4
13	900124	HUB & SPINDLE 6"/25,000 LBS /10 BOLT /13.18" BC /13.81" /BRAKE	1
14	900124	HUB & SPINDLE 6"/25,000 LBS /10 BOLT /13.18" BC /13.81" /BRAKE	1

# Hub & Spindle 5"



## 10 Bolt 5" Solid 13.18" Bolt Circle



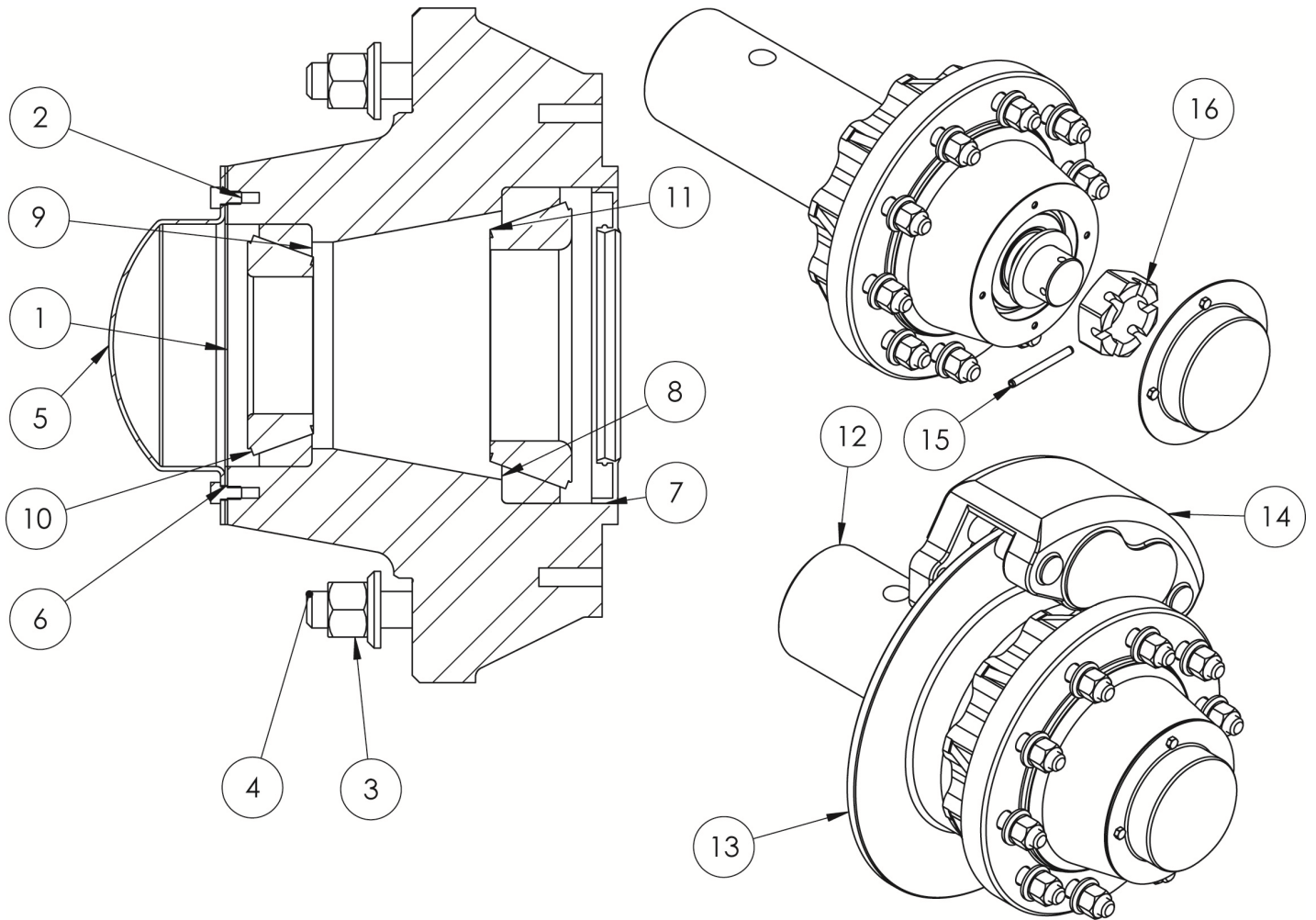
ITEM #	PART #	DESCRIPTION	QTY
1	91850	HUB ASBY 5" / 20,000 LBS / 10-BOLT / 13.18" BC / BRAKE	1
2	1181	BOLT HEXHEAD .31" x .50" - UNC 18 GR5	4
3	91849	NUT LUG 22mm x 1.5 -SWIVEL FLANGE	10
4	50400	STUD WHEEL 22MM-1.5 X 100MM -GR8	10
5	17149	HUB CAP 5"	1
6	17147	GASKET 5" HUB	1
7	50815	SEAL 4.37ID x 6.00OD x 0.62 TH BUNA	1
8	21651	BEARING TAPER CUP 5.786 (PN#218210)	1
9	21652	BEARING TAPER CUP 4.812 (PN#212010)	1
10	21621	BEARING TAPER CONE 2.625 (PN#212049)	1
11	21622	BEARING TAPER CONE 3.542 (PN#218248)	1
12	11814	WASHER 2.000 SPINDLE	1
13	50817	NUT CASTLE 2.00" -12 UNF	1
14	81767	ROLL PIN .37" DIA x 3.00" LG	1
15	900125	SPINDLE ASBY 5" / 20,000LBS / 4140HTSR / 13.81	1
16	91853	BRAKE CALIPER CARLISLE AA4	1
17	91859	BRAKE ROTOR DISC 20,000 lb / 17.5"OD / 5"	1



# Hub & Spindle 6"

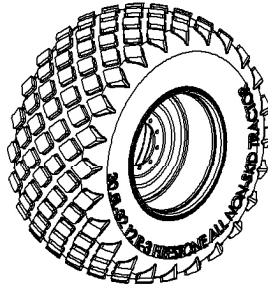


## 10 Bolt 6" Solid 13.18" Bolt Circle



ITEM #	QTY.	PART #	DESCRIPTION
1	1	91851	HUB ASBY 6" / 25,000 LBS / 10-BOLT / 13.18" BC / BRAKE
2	4	1181	BOLT HEXHEAD .31" x .50" - UNC 18 GR5
3	10	91849	NUT LUG 22mm x 1.5 -SWIVEL FLANGE
4	10	50400	STUD WHEEL 22MM-1.5 X 100MM -GR8
5	1	50823	HUB CAP 6"
6	1	50824	GASKET 6" HUB
7	1	50825	SEAL 5.50ID x 7.50OD x 0.62 TH BUNA
8	1	50819	BEARING TAPER CUP 7.500 (PN#71750)
9	1	50820	BEARING TAPER CUP 5.750 (PN#653)
10	1	50822	BEARING TAPER CONE 3.250 (PN#663)
11	1	50821	BEARING TAPER CONE 4.531 (PN#71455)
12	1	900123	SPINDLE ASBY 6" /25,000 LB / 4140HTSR / 13.812
13	1	91858	BRAKE ROTOR DISC 6"/25,000 LBS /20"OD
14	1	91853	BRAKE CALIPER CARLISLE AA4
15	1	50828	WASHER 2.500 SPINDLE
16	1	1953	ROLL PIN .37" DIA x 4.00" LG
17	1	50827	NUT CASTLE 2.50" -12 UNF

## Diamond R3

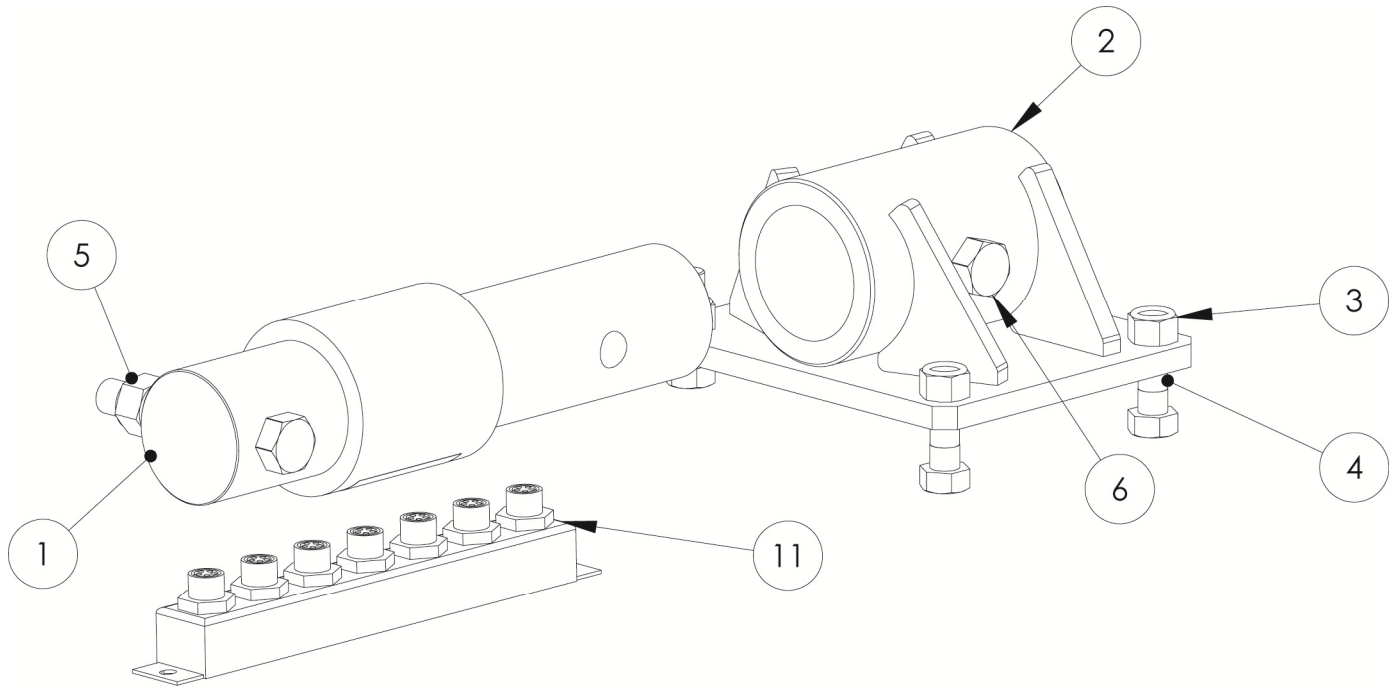


## Lug R1



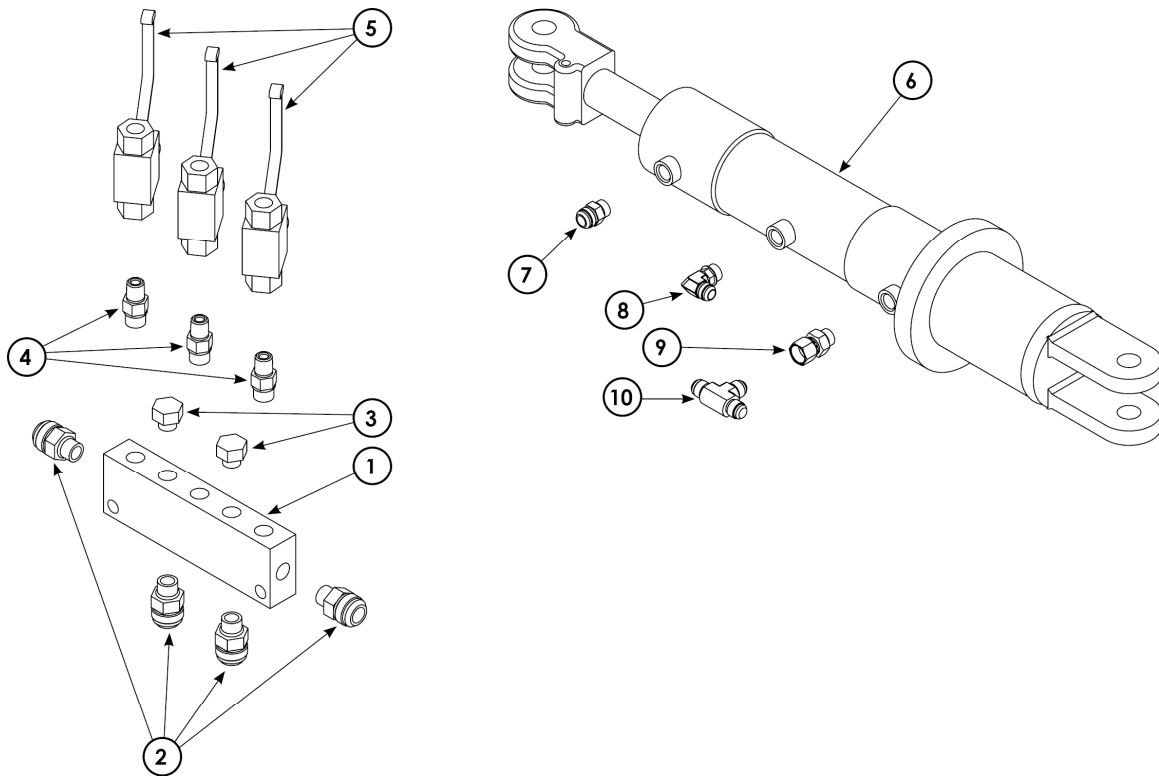
TIRE/ RIM	TIRE / RIM #	TIRE #	RIM #	TIRE PRESSURE
30.5 x 32 R1 - 10 BOLT -13.19"BC	91340	91341	27385	33
30.5 x 32 R3 - 10 BOLT -13.19"BC	27674	22692	27385	33
30.5LR32 R1 - 10 BOLT -13.19"BC	91586	94587	27385	52
30.5LR32 R3 - 10 BOLT -13.19"BC	92640	92641	27385	52
850/50 30.5 - 10 BOLT - 11.25"BC	29978	40977	29999	37
850/50 30.5 - 10 BOLT - 11.25"BC - 8 PLY	91128	91129	29999	37
850/50 30.5 - 10 BOLT - 13.19"BC - 10 PLY	40976	40977	40978	37
900/60 32 R1 - 10 BOLT - 13.25"BC - 0" OFFSET	91900	91901	27385	35

# 84790 Weigh Bar Assembly



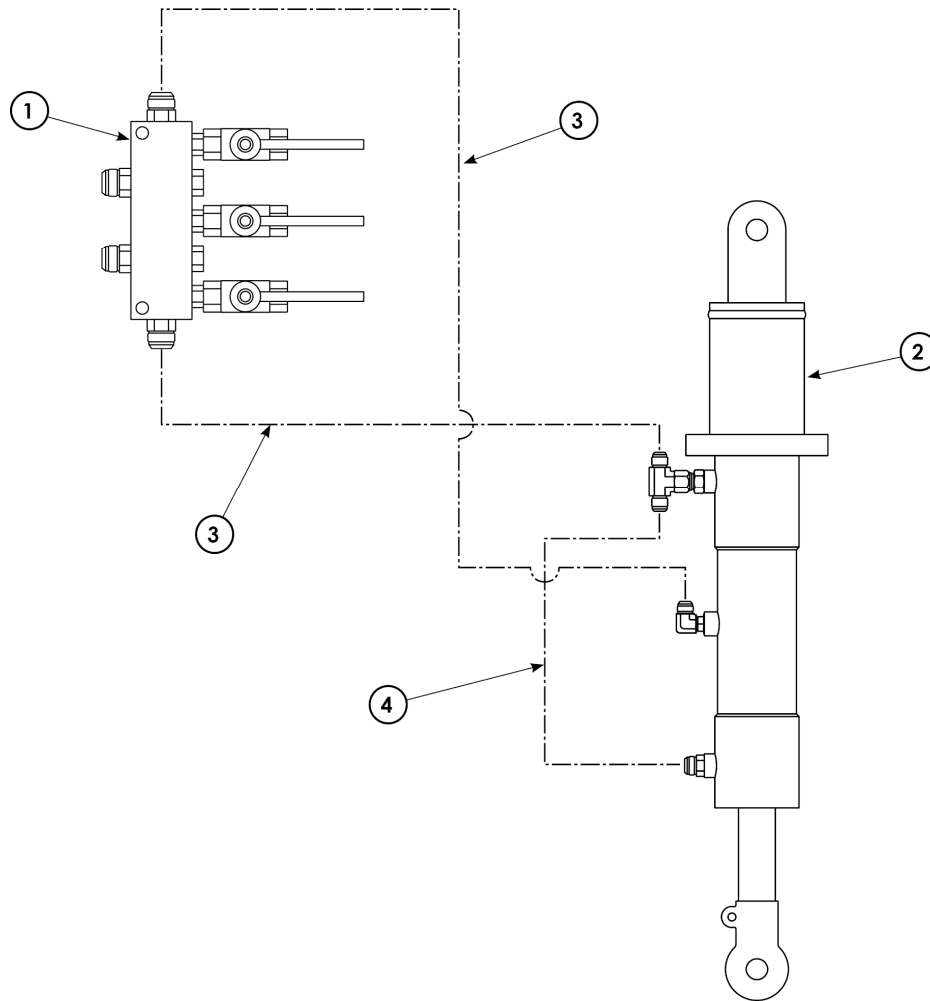
ITEM #	QTY.	PART #	DESCRIPTION
1	1	84544	WEIGH BAR
2	1	84513	MOUNTING BRACKET, LONG SHAFT
3	4	2546	NUT TOPLOCK .62" - 11 UNC
4	4	1291	BOLT HEXHEAD .62" x 2.00" - UNC 11 GR5
5	2	2593	NUT TOPLOCK .75" - 10 UNC
6	2	1320	BOLT HEXHEAD .75" x 5.00" - UNC 10 GR5
7	1	37694	BRACKET FOR INDICATOR MOUNT
8	1	37693	POWER CABLE ASSEMBLY
9	1	84543	INDICATOR 640M
10	1	84542	CABLE ASSEMBLY 50' LONG J-BOX to MONITOR
11	1	84541	J-BOX ASSEMBLY

# 910014 Tandem Steering Hydraulics



ITEM	QUANTITY	PART NUMBER	DESCRIPTION
1	1	840000	HYDRAULIC MANIFOLD, SUSPENSION BLOCK
2	4	72581	HYDRAULIC NIPPLE, 3/4" JIC X 9/16" ORM
3	2	36896	HYDRAULIC PLUG, 9/16" ORM
4	3	33839	HYDRAULIC NIPPLE, 9/16" ORM X 1/4" NPTM
5	3	71105	VALVE, BALL, 1/4" NPTFM X 1/4" NPTFM, 3000 PSI
6	1	85300	CYLINDER, HYDRAULIC STEERING, 3000 PSI
7	1	847001	HYDRAULIC NIPPLE, 3/4" JICM X 3/4" ORM
8	1	72831	HYDRAULIC ELBOW, 3/4" JICM X 3/4" ORM, 90
9	1	839001	HYDRAULIC COUPLER, 3/4" ORM X 3/4" JICFMS
10	1	849000	HYDRAULIC TEE, 3/4" JICM X 3/4" JICM X 3/4" JICM

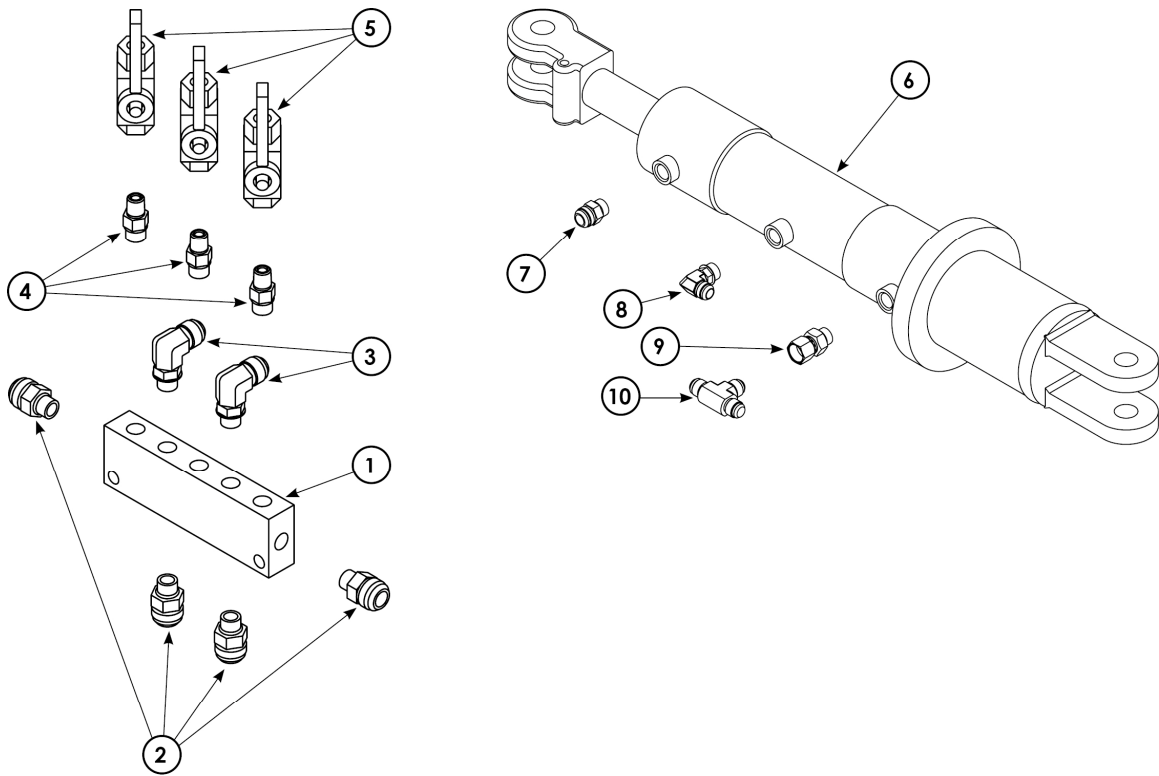
# 910014 Tandem Steering Hydraulics



ITEM	QUANTITY	PART NUMBER	DESCRIPTION
1	1		HYDRAULIC FLOW CONTROL VALVE ASSEMBLY
2	1		HYDRAULIC STEERING CYLINDER ASSEMBLY
3	2	855264	HYDRAULIC HOSE, 1/2", 3/4" JICFMS X 3/4" JICFMS, 90°, 264" LONG
4	1	855014	HYDRAULIC HOSE, 1/2", 3/4" JICFMS X 3/4" JICFMS, 90°, 14" LONG

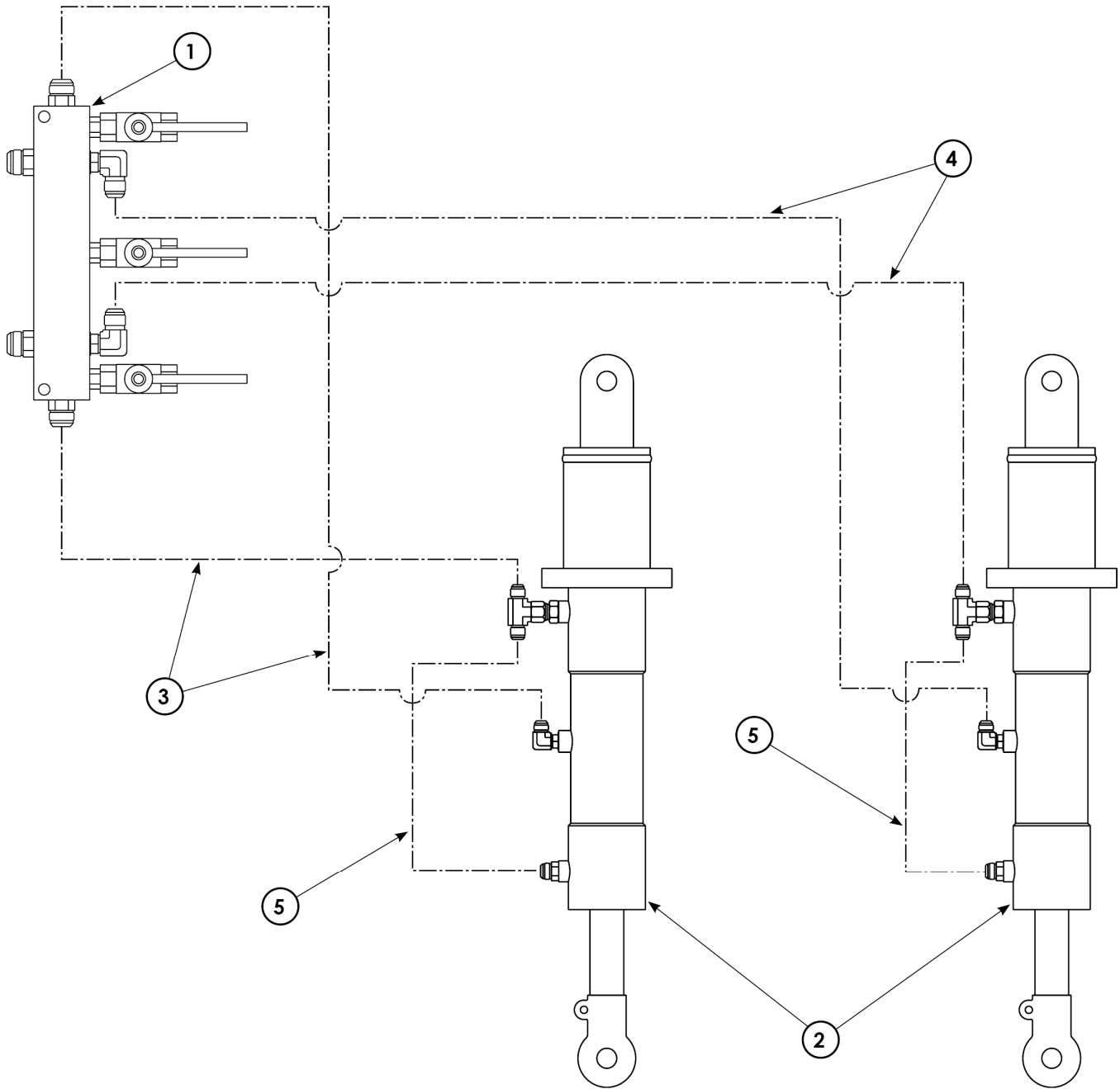


# 910016 Tridem Steering Hydraulics



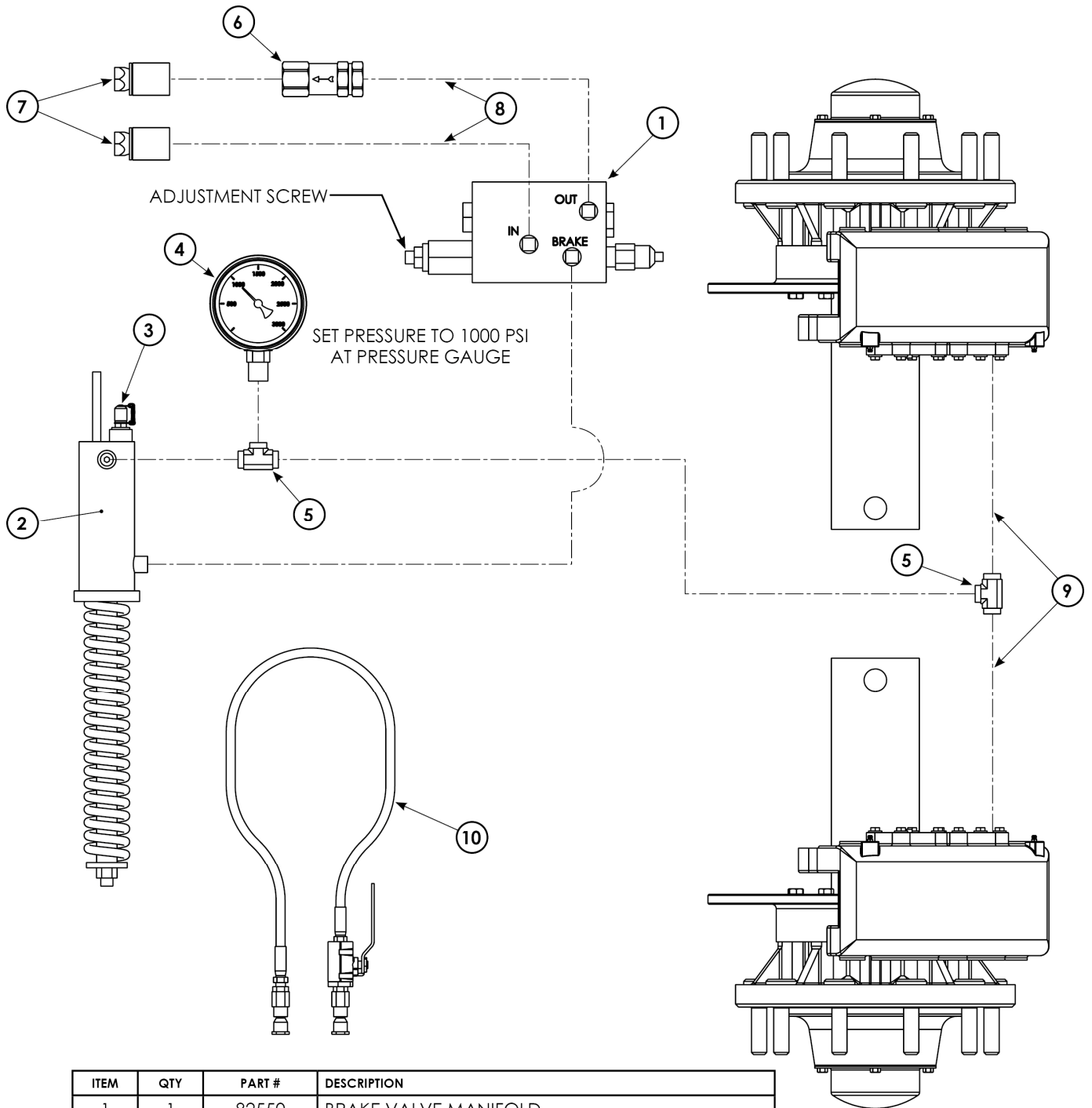
ITEM	QUANTITY	PART NUMBER	DESCRIPTION
1	1	840000	HYDRAULIC MANIFOLD, SUSPENSION BLOCK
2	4	72581	HYDRAULIC NIPPLE, 3/4" JIC X 9/16" ORM
3	2	72831	HYDRAULIC ELBOW, 3/4" JICM X 3/4" ORM, 90
4	3	33839	HYDRAULIC NIPPLE, 9/16" ORM X 1/4" NPTM
5	3	71105	VALVE, BALL, 1/4" NPTFM X 1/4" NPTFM, 3000 PSI
6	2	85300	CYLINDER, HYDRAULIC STEERING, 3000 PSI
7	2	847001	HYDRAULIC NIPPLE, 3/4" JICM X 3/4" ORM
8	2	72831	HYDRAULIC ELBOW, 3/4" JICM X 3/4" ORM, 90
9	2	839001	HYDRAULIC COUPLER, 3/4" ORM X 3/4" JICFMS
10	2	849000	HYDRAULIC TEE, 3/4" JICM X 3/4" JICM X 3/4" JICM

# 910016 Tridem Steering Hydraulics



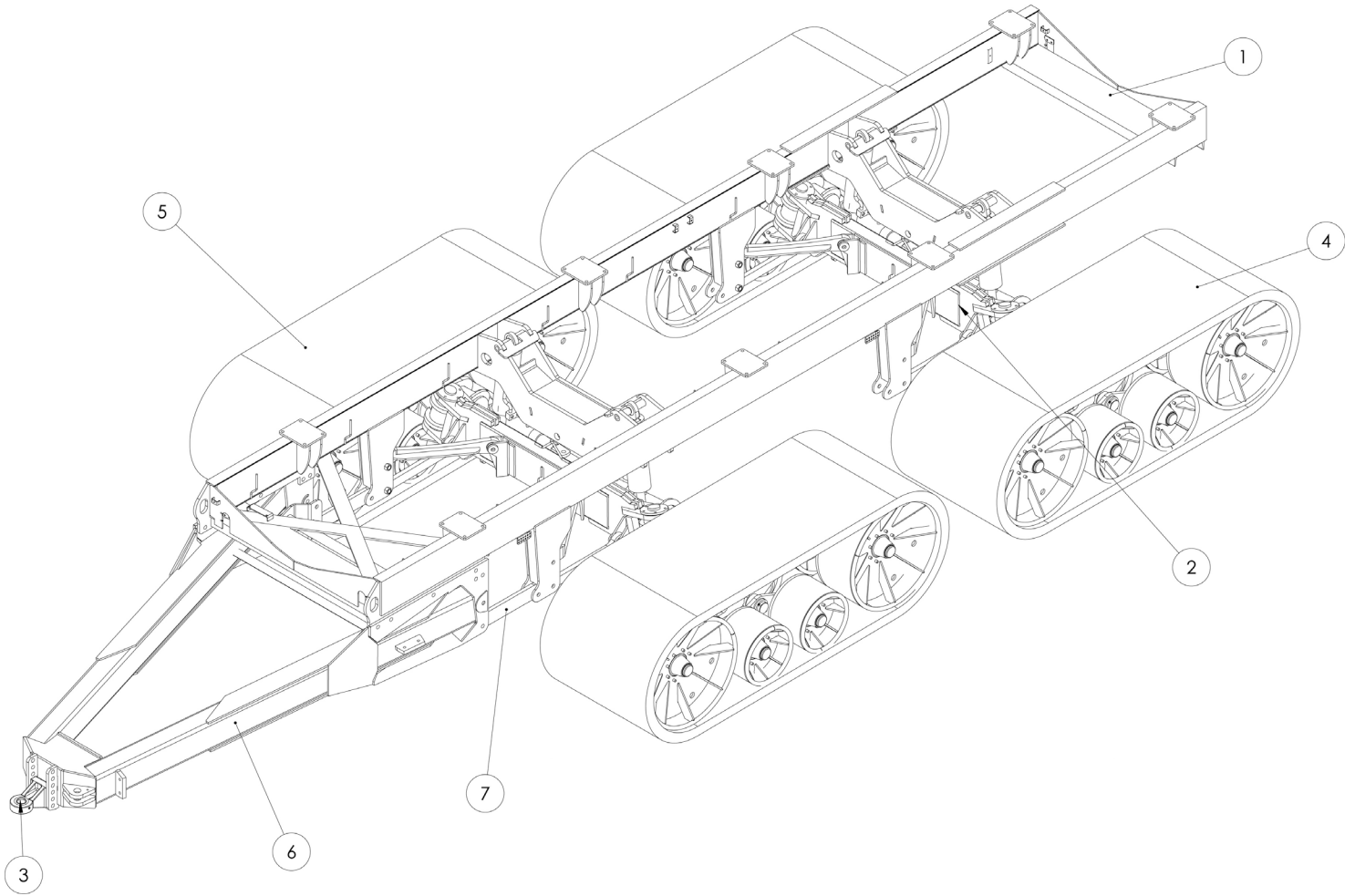
ITEM	QUANTITY	PART NUMBER	DESCRIPTION
1	1		HYDRAULIC FLOW CONTROL VALVE ASSEMBLY
2	2		HYDRAULIC STEERING CYLINDER ASSEMBLY
3	2	855132	HYDRAULIC HOSE, 1/2", 3/4" JICFMS X 3/4" JICFMS, 90°, 132" LONG
4	2	855312	HYDRAULIC HOSE, 1/2", 3/4" JICFMS X 3/4" JICFMS, 90°, 312" LONG
5	2	855014	HYDRAULIC HOSE, 1/2", 3/4" JICFMS X 3/4" JICFMS, 90°, 14" LONG

# Hydraulic Brake Return



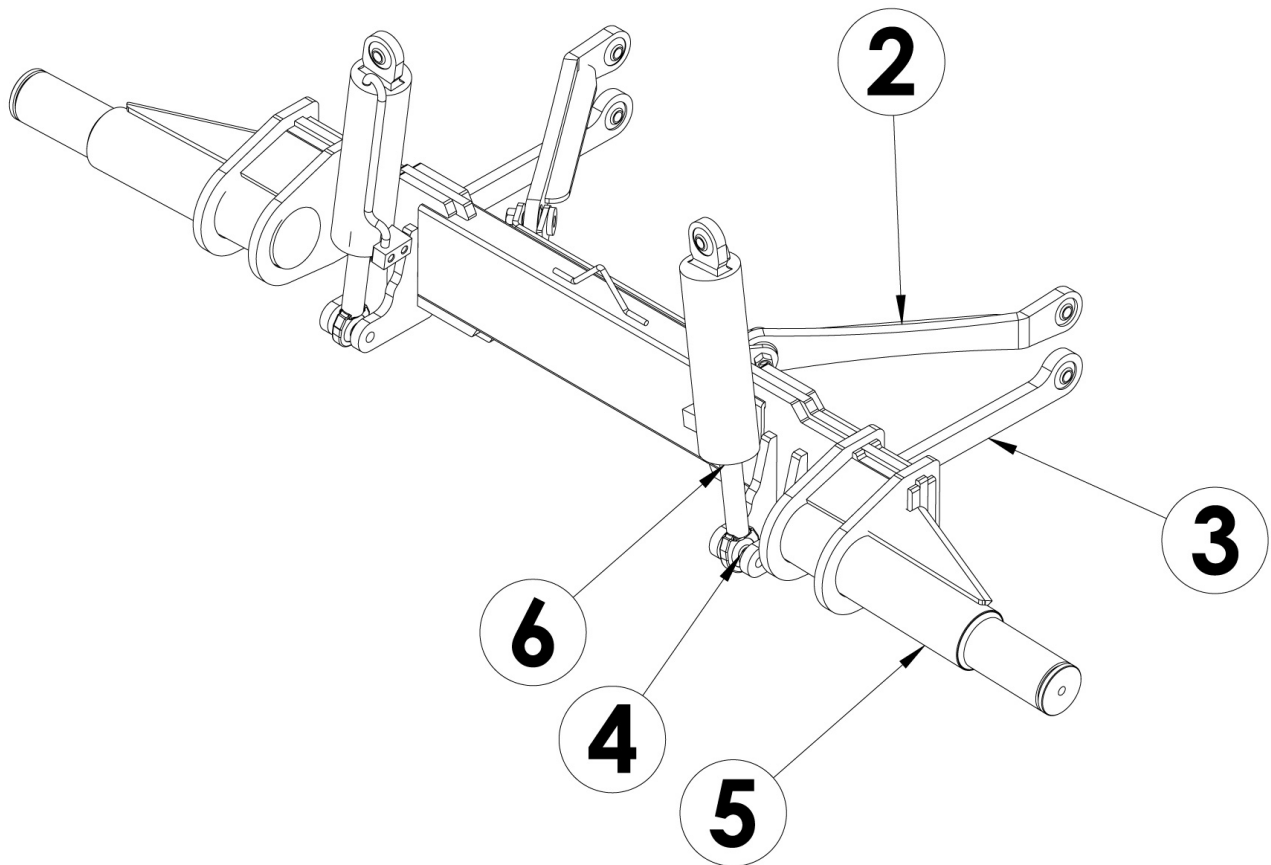
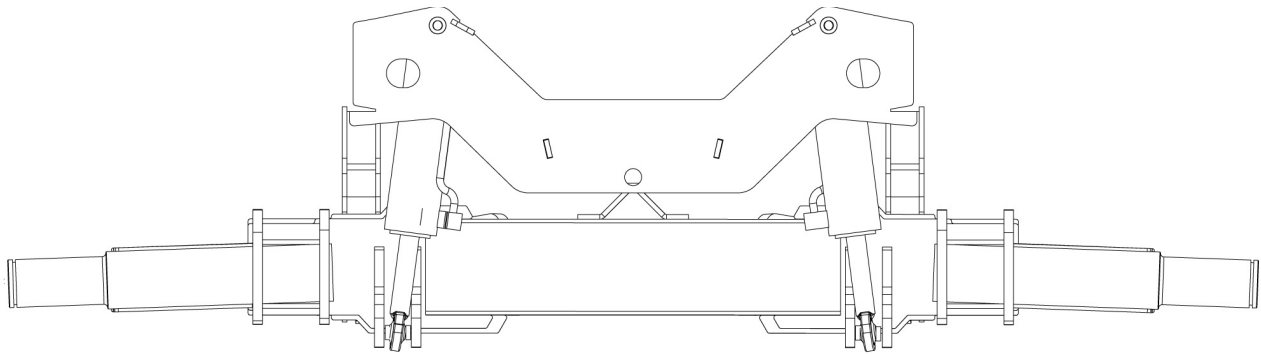
ITEM	QTY	PART #	DESCRIPTION
1	1	82550	BRAKE VALVE MANIFOLD
2	1	82548	BRAKE SPRING
3	1	37521	TEST POINT FITTING WITH CAP
4	1	8638	PRESSURE GAUGE
5	2	36069	HYDRAULIC TEE
6	1	10459	HYDRAULIC CHECK VALVE
7	2	8634	COUPLER, QUICK CONNECT, .5 NPT
8	2	13893	HYDRAULIC HOSE, 144"
9	2	22201	HYDRAULIC BRAKE LINE
10	1	72182	BLEEDER HOSE

# Track Frame 120011



ITEM NO.	PART NUMBER	DESCRIPTION	Default/ QTY.
1	122016	TRAILER TANDEM TRACKS	1
2	900462	AXLE TRACK STEER 5"/60	2
3	85945	HITCH BULL PULL 3 BOLT	1
4	900665	LEFT TRACK ASSEMBLY	2
5	900660	RIGHT TRACK ASSEMBLY	2
6	212806	TONGUE GRAIN CART 2013 30.5 TIRES	1
7	214047	AXLE LINKAGE	2

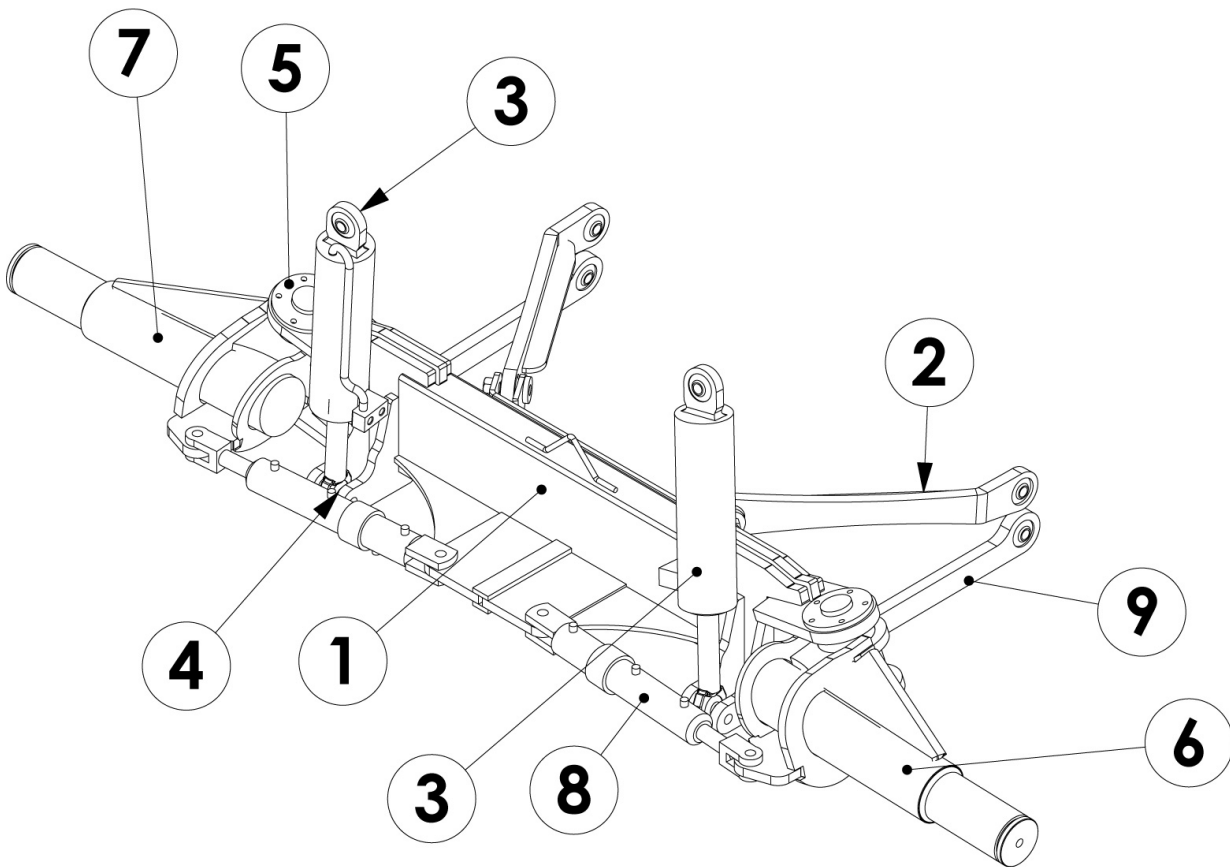
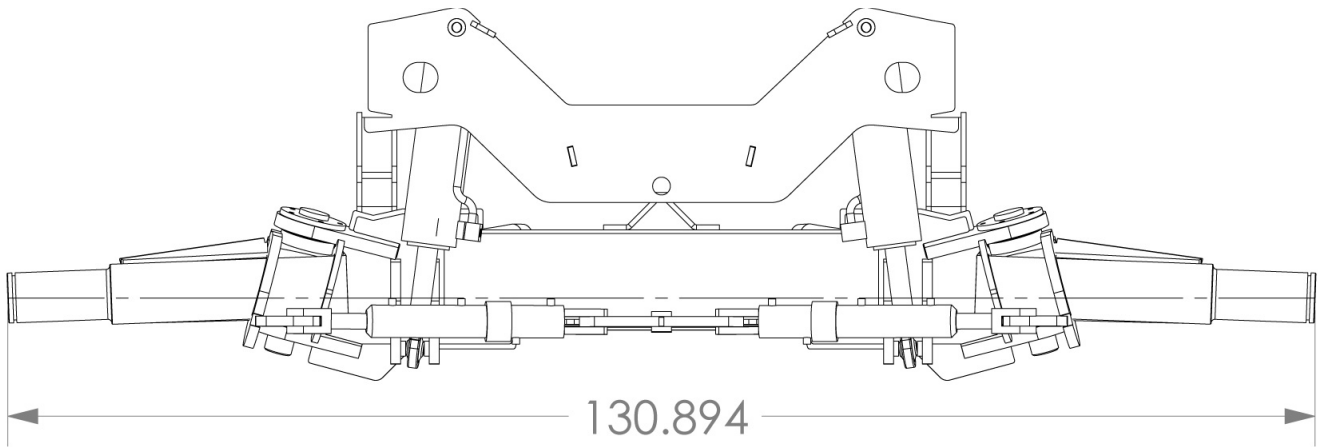
# Track Straight Axle 900470



ITEM	QTY	P/N	DESCRIPTION
2	2	900052	AXLE DRAG LINK UPPER BAR WELD
3	2	900098	AXLE DRAG LINK LOWER BAR WELD
4	4	83329	PIPE 1.50" x.23" DOM x.50" LG
5	1	900450	AXLE IND TRACK FIXED WELD 5"/60
6	2	900335	HYD CYLINDER 5.00" x 14" BAL-SOC 5000PSI

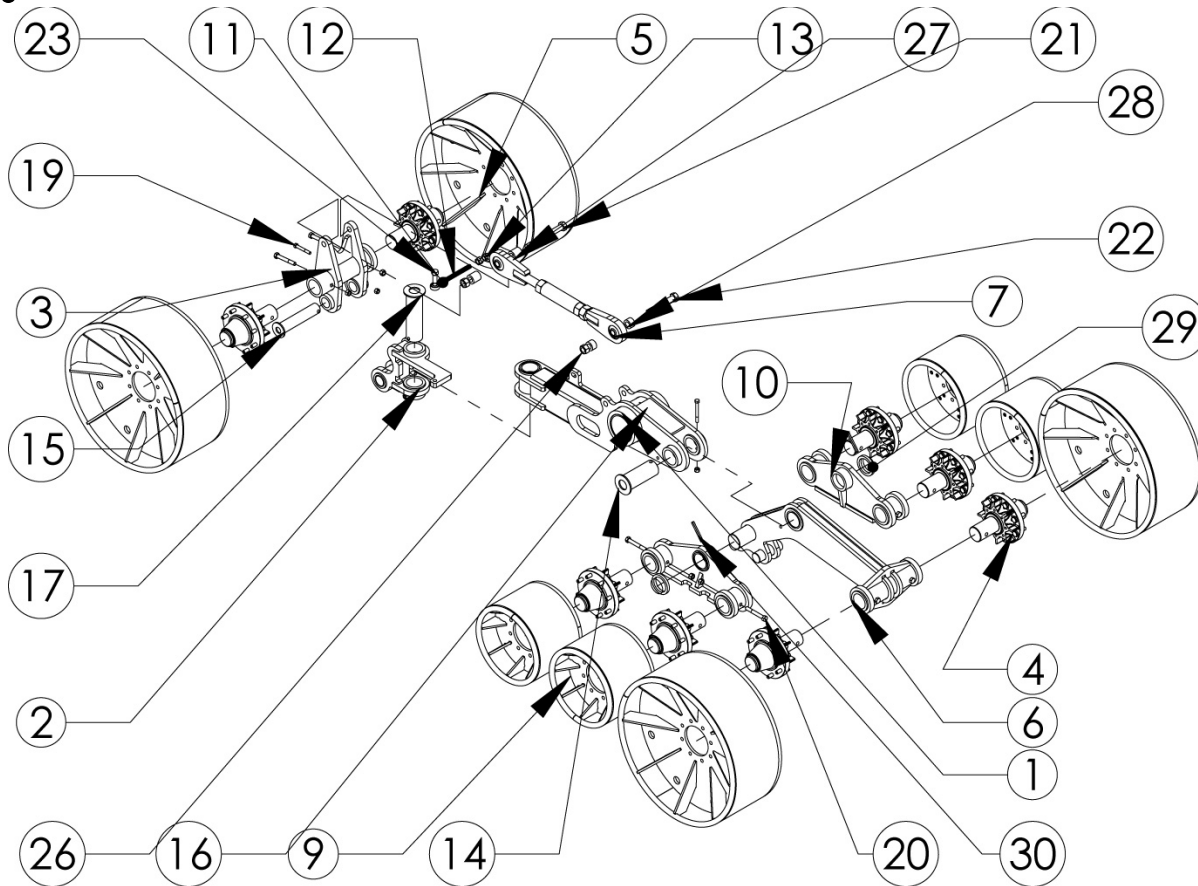


# Track Steering Axle 900462



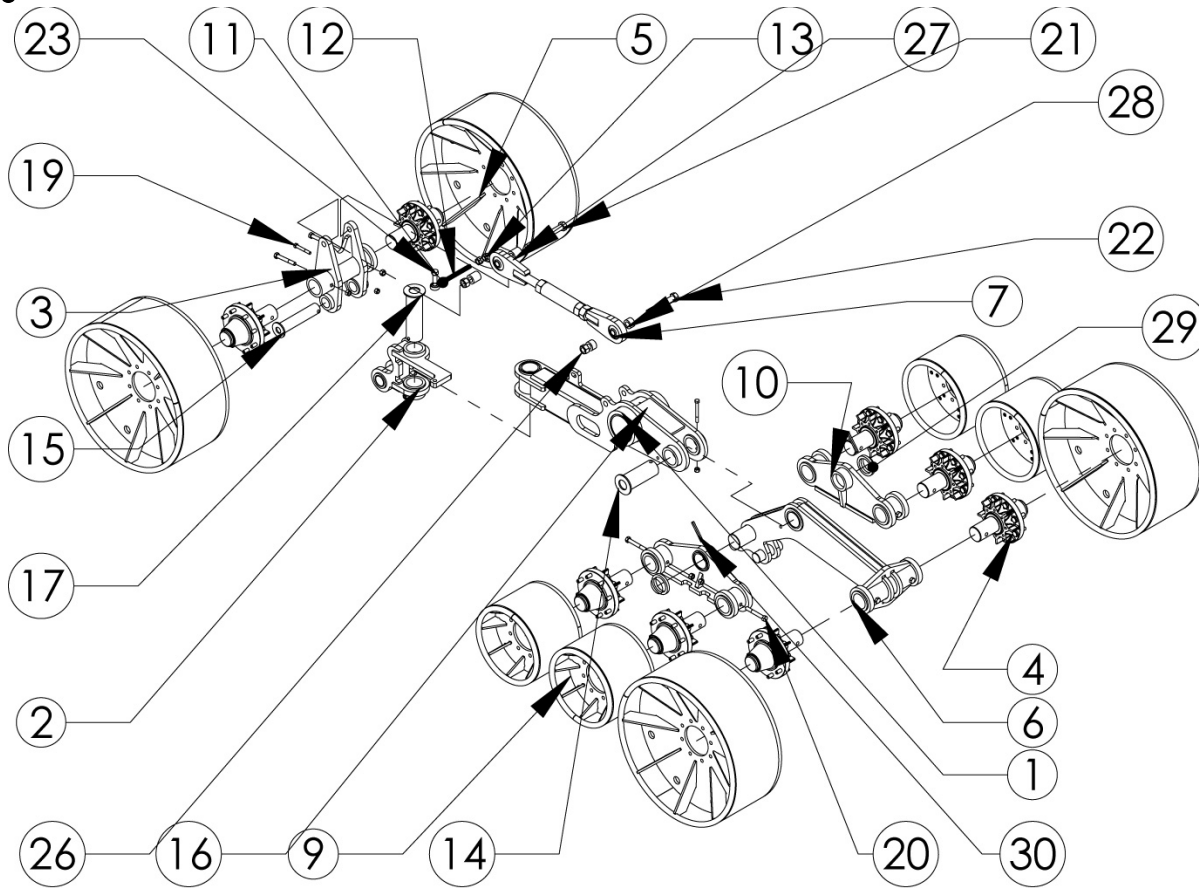
ITEM #	QTY	PART #	DESCRIPTION
1	1	900421	AXLE TRACK STEERING
2	2	900052	AXLE DRAG LINK UPPER BAR WELD
3	2	900335	HYD CYLINDER 5.00" x 14" BAL-SOC 5000PSI
4	4	83329	PIPE 1.50" x.23" DOM x.50" LG
5	2	900082	AXLE KING PIN BOLT
6	1	900422	KING PIN RECEIVER TRACK RH
7	1	900423	KING PIN RECEIVER TRACK LH
8	2	40761	HYD CYL BOREX STROKEX ROD- STEERING
9	2	900098	AXLE DRAG LINK LOWER BAR WELD

# Track Right Side 900660



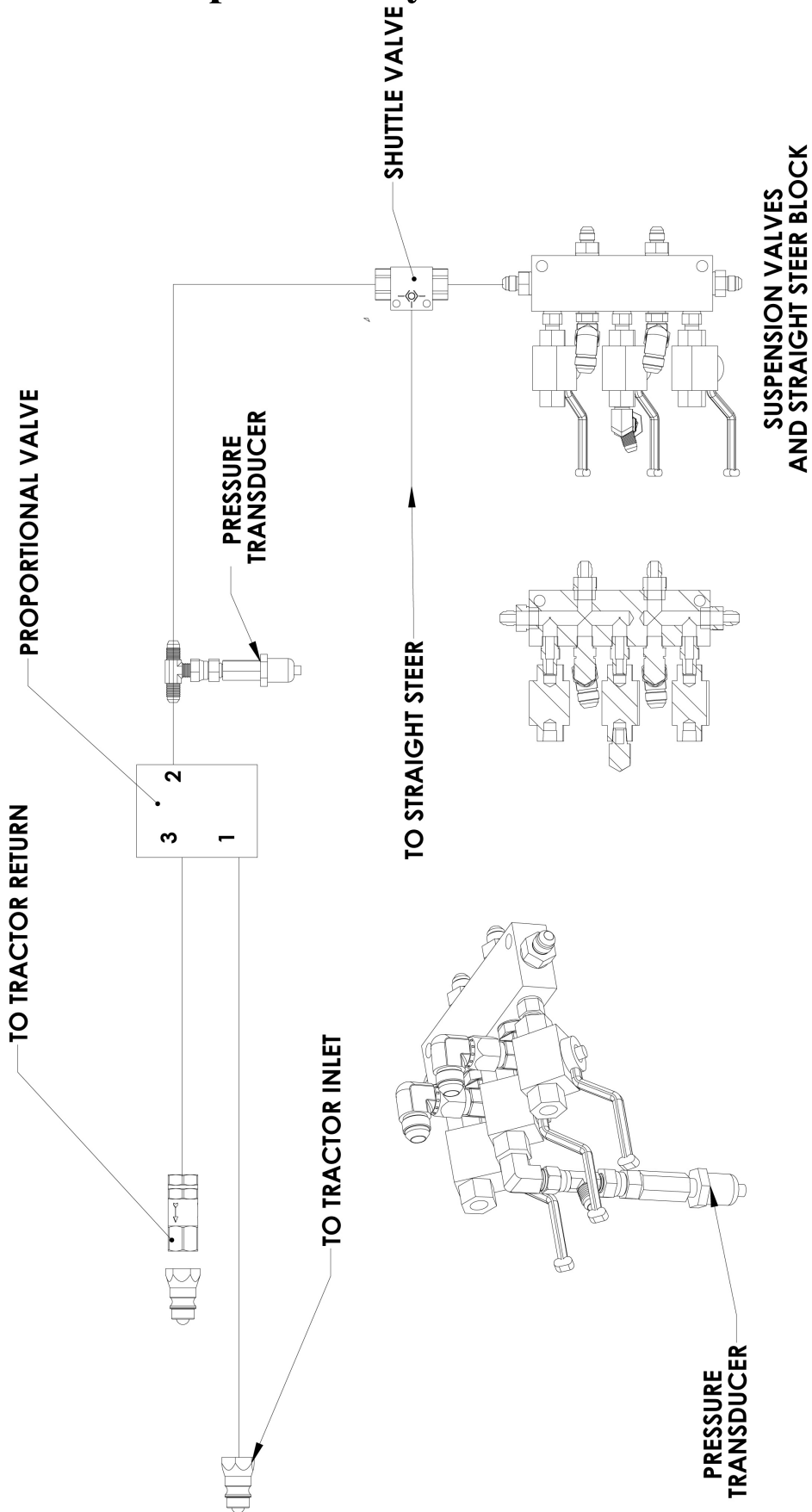
ITEM #	QTY	PART #	DESCRIPTION
1	1	900650	MAIN RIGHT TRACK FRAME
2	1	900651	ALIGNMENT PIVOT LEFT
3	1	900652	TENSIONER WELDMENT
4	8	900569	HUB REWORK 3"-8 BLT
5	4	900550	IDLER 30" w/8 ON 8"BC
6	1	900653	REAR ARM
7	1	900657	
8	1	900509	RUBBER TRACK 36" x 234"
9	4	900551	BOGIE 16" w/8 ON 8"BC
10	2	900658	BOOGIE WHEEL MOUNT
11	1	900683	Right-Hand Thread
12	1	900644	THREADED ROD 3/4-10UNC
13	4	1697	NUT JAM .75" - 10 UNC
14	1	900661	REAR PIN WELDMENT
15	1	900662	TENSIONER PIN WELDMENT
16	2	865049	BUSHING POLYGON BM4576
17	1	900663	ALIGNMENT PIN WELDMENT
18	2	1261	BOLT HEXHEAD .50" x 4.50" - UNC 13 GR5
19	1	1258	BOLT HEXHEAD .50" x 3.50" - UNC 13 GR5
20	8	1300	BOLT HEXHEAD .62" x 4.50" - UNC 11 GR5
21	1	3178	BOLT HEXHEAD 1.00" x 9.00" - UNC 8 GR5
22	1	1350	BOLT HEXHEAD 1.00" x 6.50" - UNC 8 GR5
23	1	1327	BOLT HEXHEAD .75" x 2.00" - UNF 16 GR5
24	8	2546	NUT TOPLOCK .62" - 11 UNC
25	3	2637	NUT .50 -20 UNF TOPLOCK
26	2	2591	NUT, 1" TOPLOCK
27	2	900680	PIPE 1.75 OD x0.369 DOM x 1.875 LG
28	2	900681	PIPE 1.75 OD x0.369 DOM x 1.0625 LG
29	2	900684	RETAINER RING 4"OD 3.063" ID
30	2	900685	ROLL PIN .50" x 4.00" LG

# Track Left Side 900665



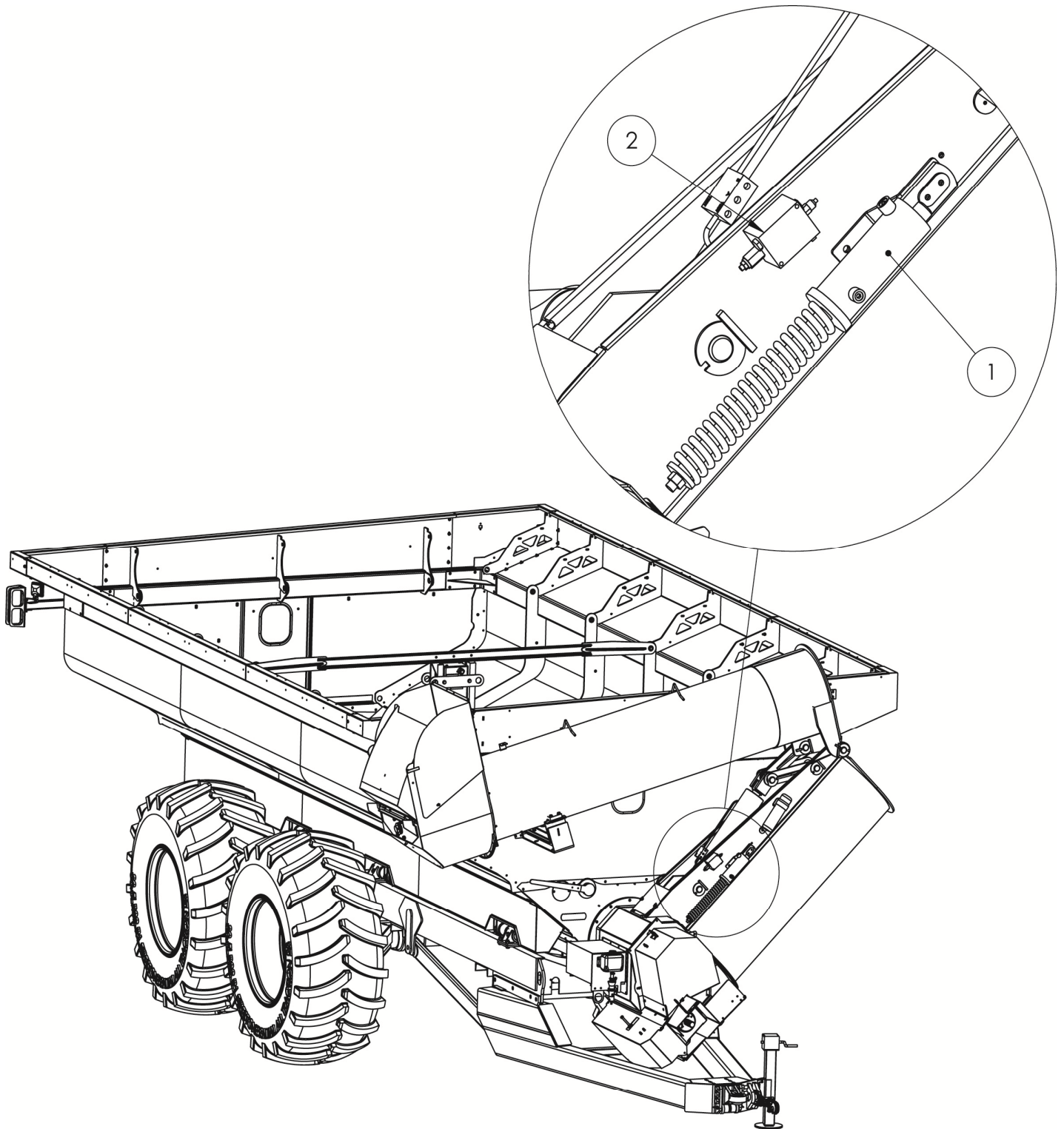
ITEM NO.	PART NUMBER	DESCRIPTION	QTY.
1	900659	MAIN LEFT TRACK FRAME	1
2	900664	ALIGNMENT PIVOT RIGHT	1
3	900652	TENSIONER WELDMENT	1
4	900569	HUB REWORK 3"-8 BLT	8
5	900550	IDLER 30" w/8 ON 8"BC	4
6	900653	REAR ARM	1
7	900657	TURN BUCKLE	1
8	900509	RUBBER TRACK 36" x 234"	1
9	900551	BOGIE 16" w/8 ON 8"BC	4
10	900658	BOOGIE WHEEL MOUNT	2
11	900683	Right-Hand Thread	1
12	900644	THREADED ROD 3/4-10UNC	1
13	1697	NUT JAM .75" - 10 UNC	4
14	900661	REAR PIN WELDMENT	1
15	900662	TENSIONER PIN WELDMENT	1
16	865049	BUSHING POLYGON BM4576	2
17	900663	ALIGNMENT PIN WELDMENT	1
18	1261	BOLT HEXHEAD .50" x 4.50" - UNC 13 GR5	2
19	1258	BOLT HEXHEAD .50" x 3.50" - UNC 13 GR5	1
20	1300	BOLT HEXHEAD .62" x 4.50" - UNC 11 GR5	8
21	3178	BOLT HEXHEAD 1.00" x 9.00" - UNC 8 GR5	1
22	1350	BOLT HEXHEAD 1.00" x 6.50" - UNC 8 GR5	1
23	1327	BOLT HEXHEAD .75" x 2.00" - UNF 16 GR5	1
24	2546	NUT TOPLOCK .62" - 11 UNC	8
25	2637	NUT .50 -20 UNF TOPLOCK	3
26	2591	NUT 1" TOPLOCK	1
27	900681	PIPE 1.75 OD x0.369 DOM x 1.0625 LG	2
28	900680	PIPE 1.75 OD x0.369 DOM x 1.875 LG	2
29	900685	ROLL PIN .50" x 4.00" LG	2
30	900684	RETAINER RING 4"OD 3.063" ID	3

## In addition to Suspension Hydraulics





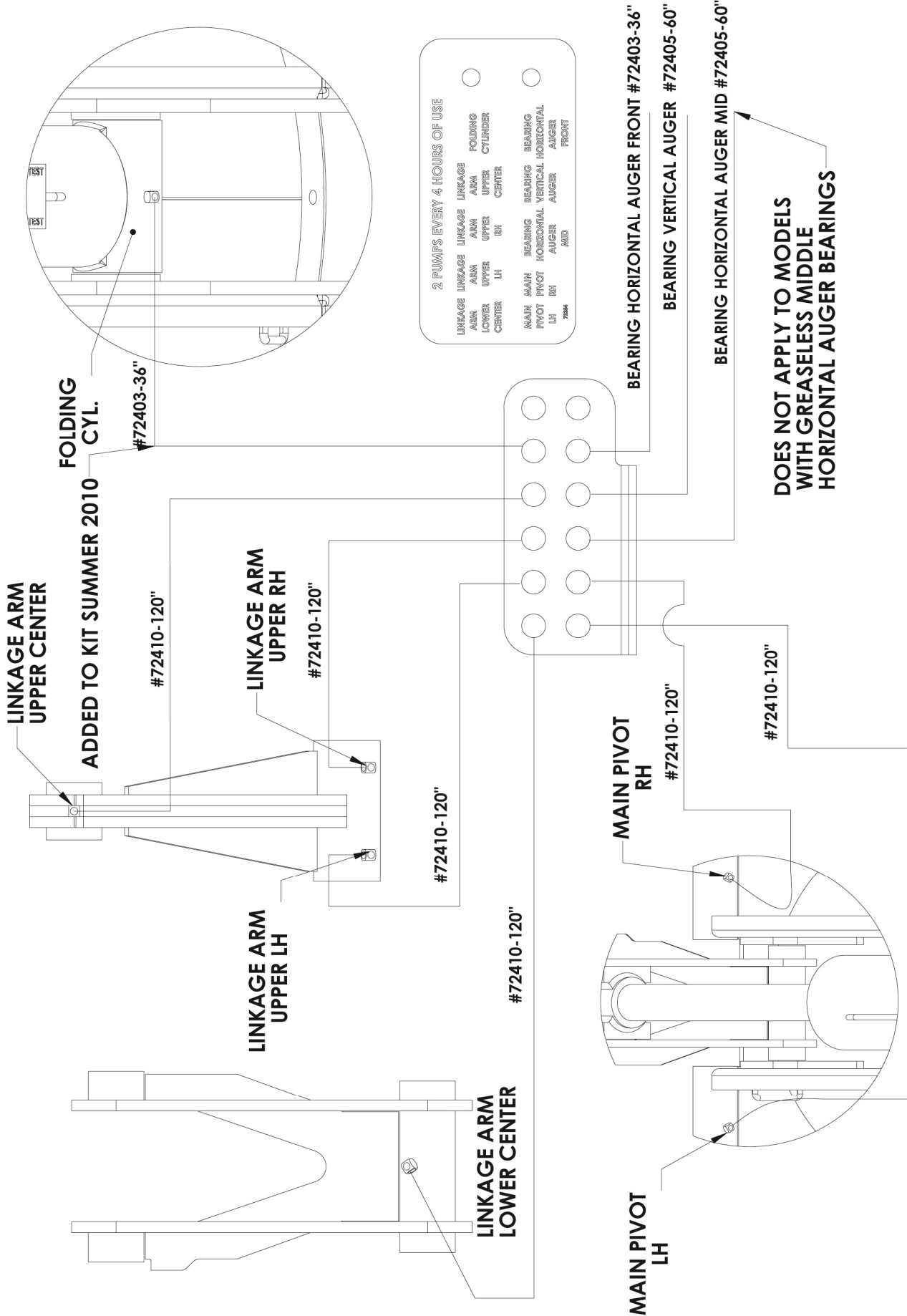
# Brake Component Location



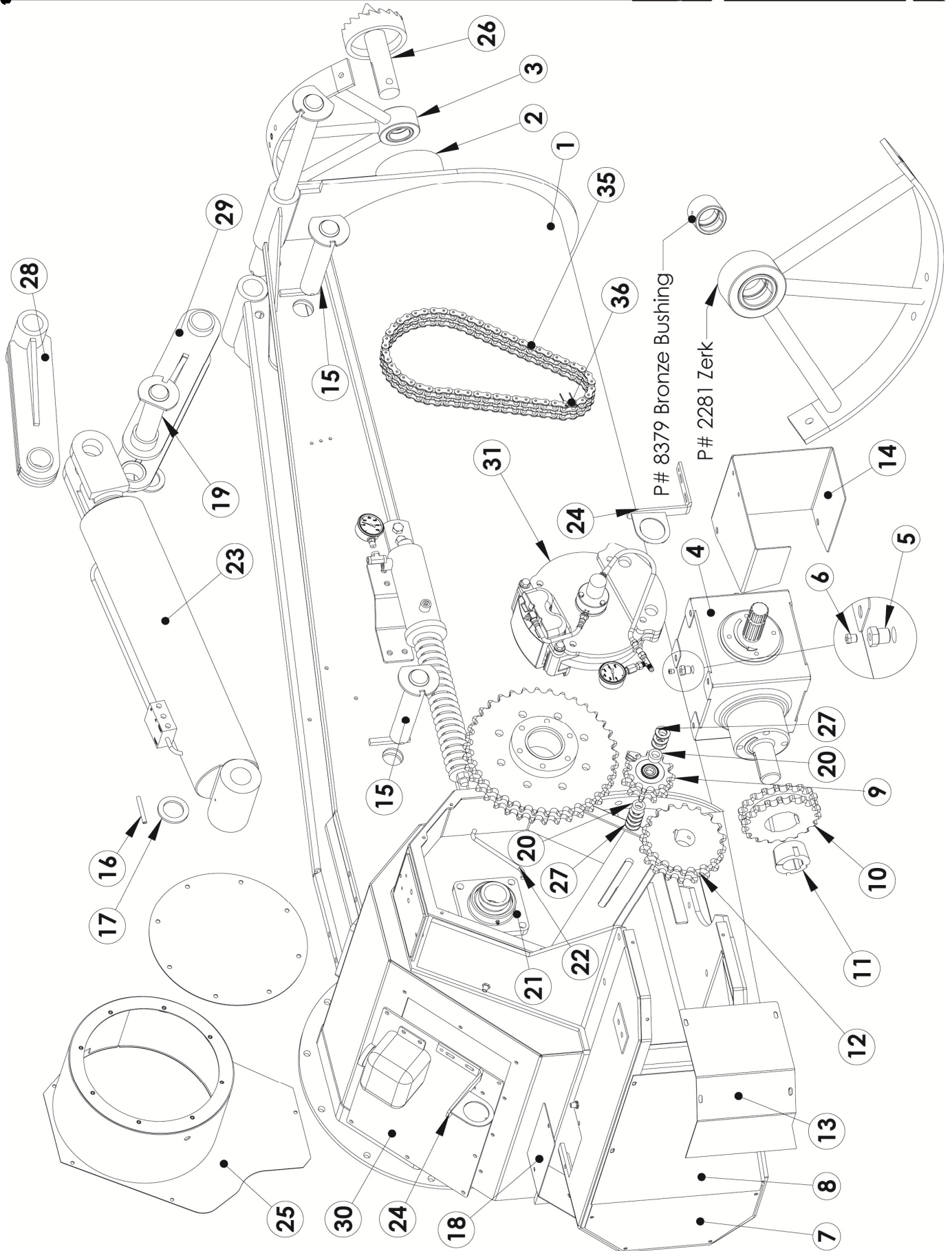
ITEM #	PART #	DESCRIPTION	QTY.
1	82548	BRAKE SPRING	1
2	82550	BRAKE VALVE MANIFOLD	1



# 72425 Vertical Auger Grease



# Lower Vertical Auger

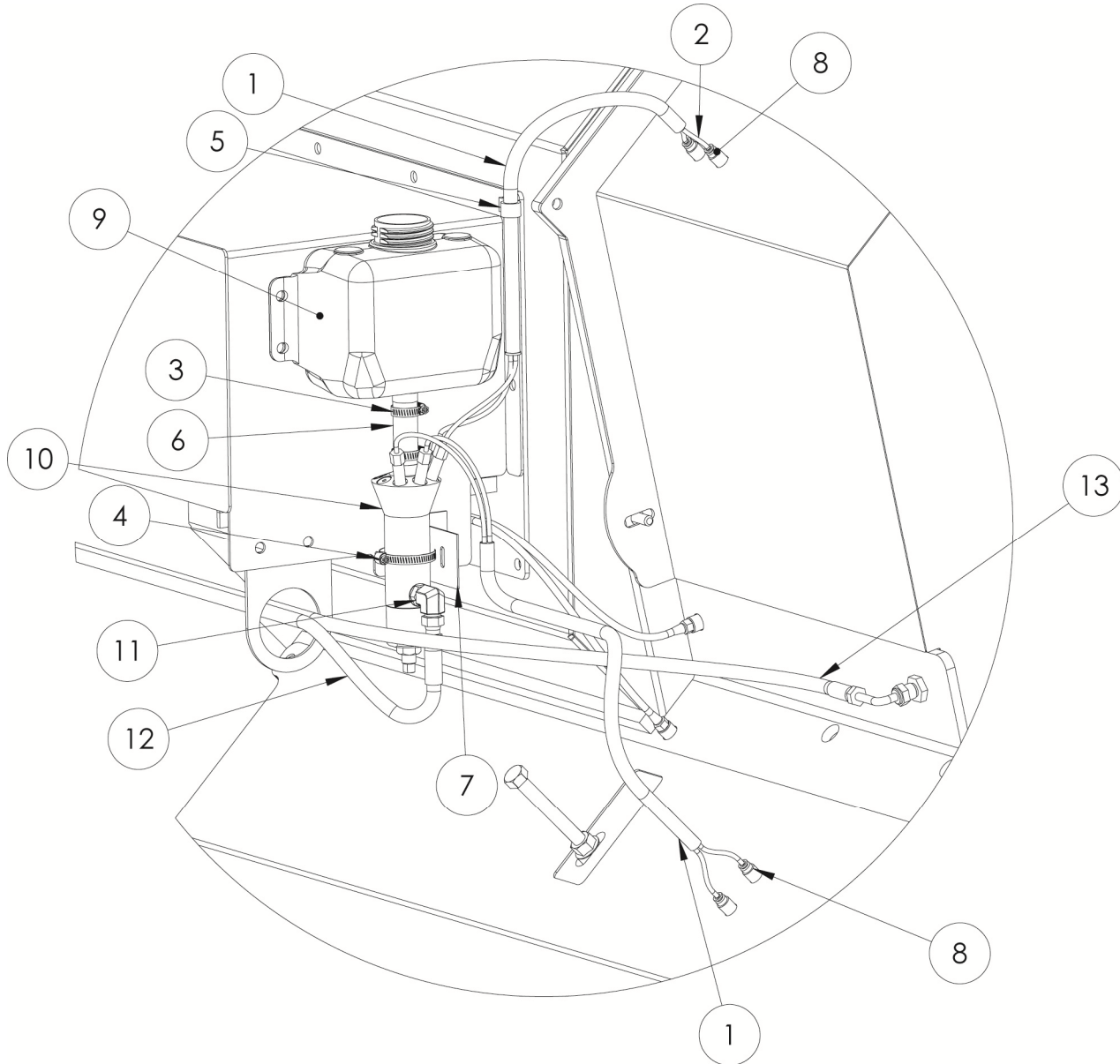


# Lower Vertical Auger



ITEM #	PART #	DESCRIPTION	QTY.
1	85335	LOWER VERT AUGER UPPER	1
2	91275	AUGER VERT LOWER FLIGHTING 24"	1
3	90575	AUGER VERT MID BEARING	1
4	80500	GEAR BOX 1.35-1 RATIO	1
5	13038	HYD REDUCER .50NPTMX .12NPTFM (5406-8-2)	1
6	13097	BREATHER .12"NPT BRASS, 5#PSI VENT	1
7	91322	SHIELD LOWER DRIVE REAR	1
8	91321	SHIELD LOWER DRIVE MIDDLE	1
9	80508	SPROCKET, IDLER DOUBLE	2
10	80504	SPROCKET, D100ATL18-2517	1
11	80511	BUSHING TAPERLOCK 2517 x 2"	1
12	80505	SPROCKET D100A18	1
13	84285	SHIELD LOWER DRIVE FRONT	1
14	90738	SHIELD GEARBOX 24' AUGER	1
15	91331	PIN 1.94" DIA x 10.13" WELD	2
16	81767	ROLL PIN .37" x 3.00" LG	1
17	81768	WASHER 2.00" ID X 3.00" OD X 0.25"TH	3
18	83313	COVER 5" X 16" X 14 GA. FORMED	1
19	91333	PIN WELD 1.94"DIA x 9.13" LG	1
20	84289	PIPE 1.25" OD x 0.25" DOM x 0.62"LG	4
21	26872	BEARING PILLOW 2.18"B x5.12"BP -CAM (NANF 211-35)	1
22	24178	HOSE, HYD 1/8" x 10 GREASE LINE	2
23	91259	HYD CYL 6.00"B x22"S x2.75R -WELD-SOFT LAND 3000PSI	1
24	22430	HOSE SUPPORT	2
25	84465	FRONT CLUTCH COVER VERT AUGER	1
26	85090	COUPLER DRIVE LOWER VERT 2008	1
27	1603	WASHER FLAT .75"	11
28	72810	LINKAGE ARM UPPER PIVOT (HYBRED 2010)	1
29	72805	LINKAGE ARM LOWER WELD (HYBRED 2010)	1
30	72820	COVER CLEANOUT WELDMENT	1
31	84460	BRAKE CLUTCH SUB ASSEMBLY	1
32	91323	PIN WELD 1.94" DIA x 29.37"LG	1
33	90894	SPROCKET DD100 WELD	1
34	84468	PLATE, COVER BRAKE CLUTCH .07" x 15.5"OD	1
35	80510B	CHAIN DOUBLE 26 FULL LINKS	1
36	90926	CHAIN DOUBLE MASTER LINK	1

# 72815 Automatic Chain Oiler



ITEM #	QTY.	PART #	DESCRIPTION
1	2	72781	Auto Oiler Kit Wire Loom
2	4	72779	5/32" Nylon Tubing
3	2	72813	#16 Hose Clamp
4	1	72814	#32 Hose Clamp
5	1	72812	5/8" Clamp
6	1	72773	Auto Oiler Kit Tygon Tube Only 2.25" LG
7	1	72775	Auto Oiler Kit Manifold Bracket Only
8	4	72796	Auto Oiler Kit Brush Only
9	1	72772	Auto Oiler Kit Tank Only
10	1	72774	Auto Oiler Kit Manifold Only
11	1	842002	HYD ELBOW .56JICM X.43ORM 90 (6801-6-4)
12	1	852036	HYD HOSE .25X .56JICFMSX .56JICFMS 90DEGX 36" LG
13	1	852060	HYD HOSE .25X .56JICFMSX .56JICFMS 90DEGX 60" LG







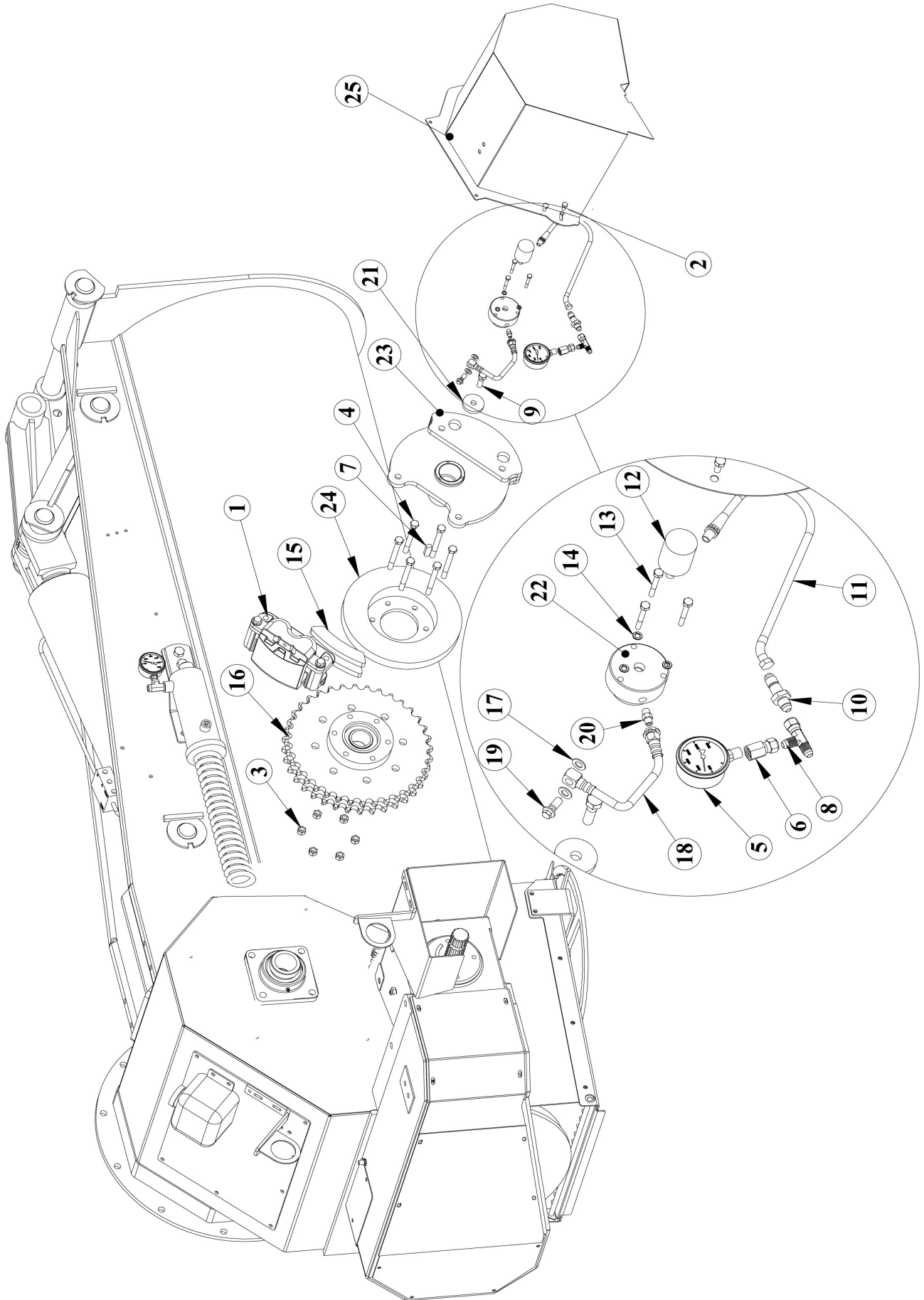
# Vertical Auger Drive Assembly



ITEM #	QTY.	PART #	DESCRIPTION
1	1	1324	BOLT HEXHEAD .75" x 7.00" - UNC 10 GR5
2	3	1621	FLATWASHER .75 SAE
3	1	202201	FORK WELDMENT CHAIN TIGHTENER
4	1	202202	NUT NON-TURN WELDMENT .5"- 13UNC
5	1	202204	SHIELD SIDE CHAIN
6	2	2084	NUT WHIZ .50" - 13 UNC
7	1	24180	HOSE HYD. 1/8" x 18"
8	2	52193	BEARING ROLLER .75 X 1.62 X .43 (R12-2RS)
9	1	52194	SPACER 1" OD x 1.35"LONG
10	1	80506	SPROCKET D100ATL36HT-3020
11	1	80508 A	SPROCKET IDLER D100A11HT
12	1	80510	CHAIN ROLLER DBL 100 BULK
13	1	80512	BUSHINGTAPERLOCK 3020
14	1	808000	BOLT HEXHEAD .50" x 6.00" - UNC 13 GR5 FULL THREAD
15	1	835500	GASKET 4.87"OD x 3.87" ID w/4 NOTCHES
16	1	84492	BEARING PILLOW 2.18"B x4.87" X SET
17	1	92413	WASHER 2.18" ID X 2.87" OD X .12" TH
18	1	92414	WASHER 2.18" ID X 2.87" OD X .37" TH
19	1	92415	WASHER 2.18" ID X 2.87" OD X .25" TH
20	2	204012	PIPE 1.25" OD x 0.25" DOM x 1.00"LG
21	1	80511	BUSHING TAPERLOCK 2517 x 2"
22	1	90926	CHAIN DOUBLE MASTER LINK

# 84460 Horizontal Auger Clutch

**BALZER**

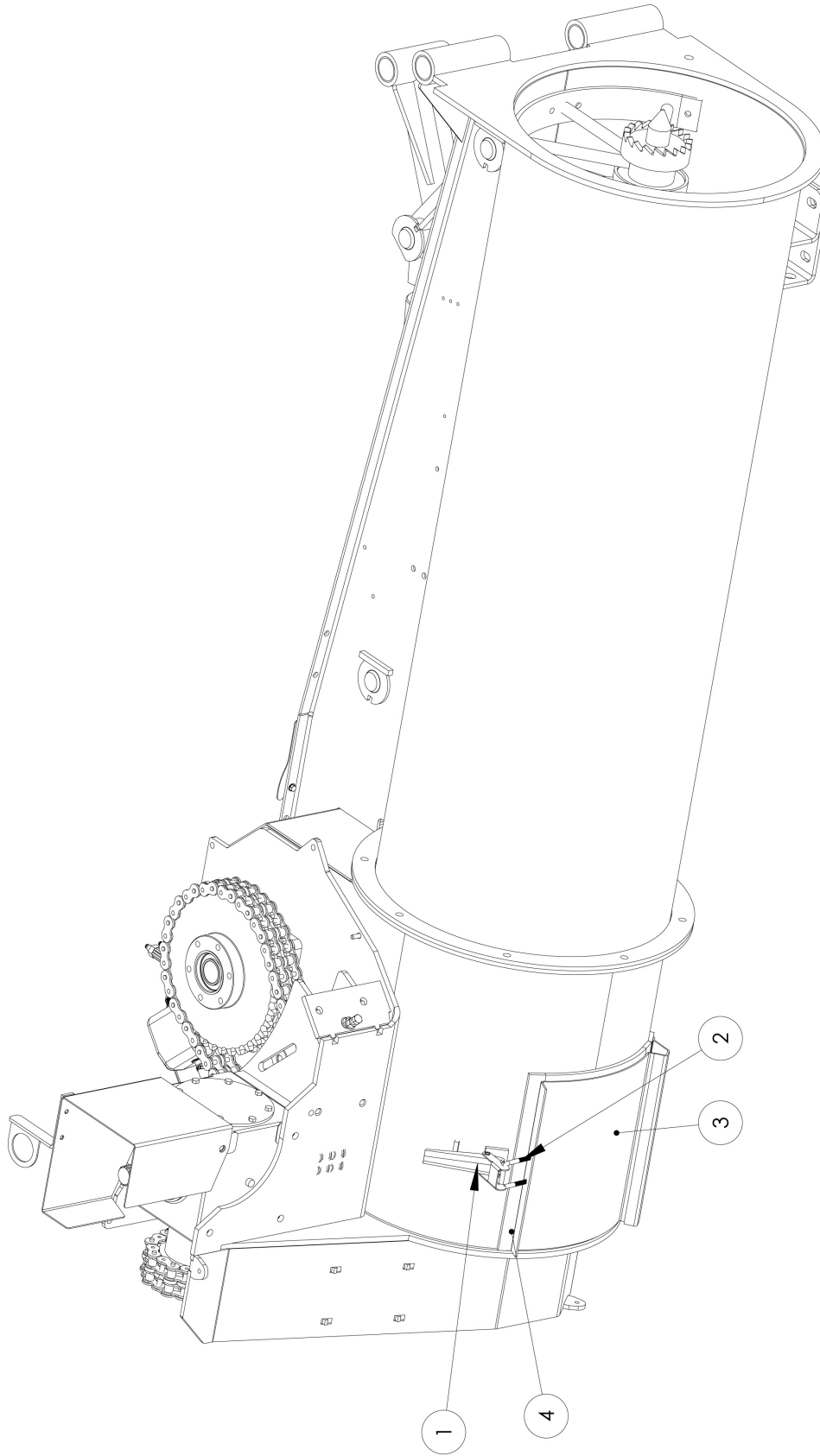


# 84460 Horizontal Auger Clutch



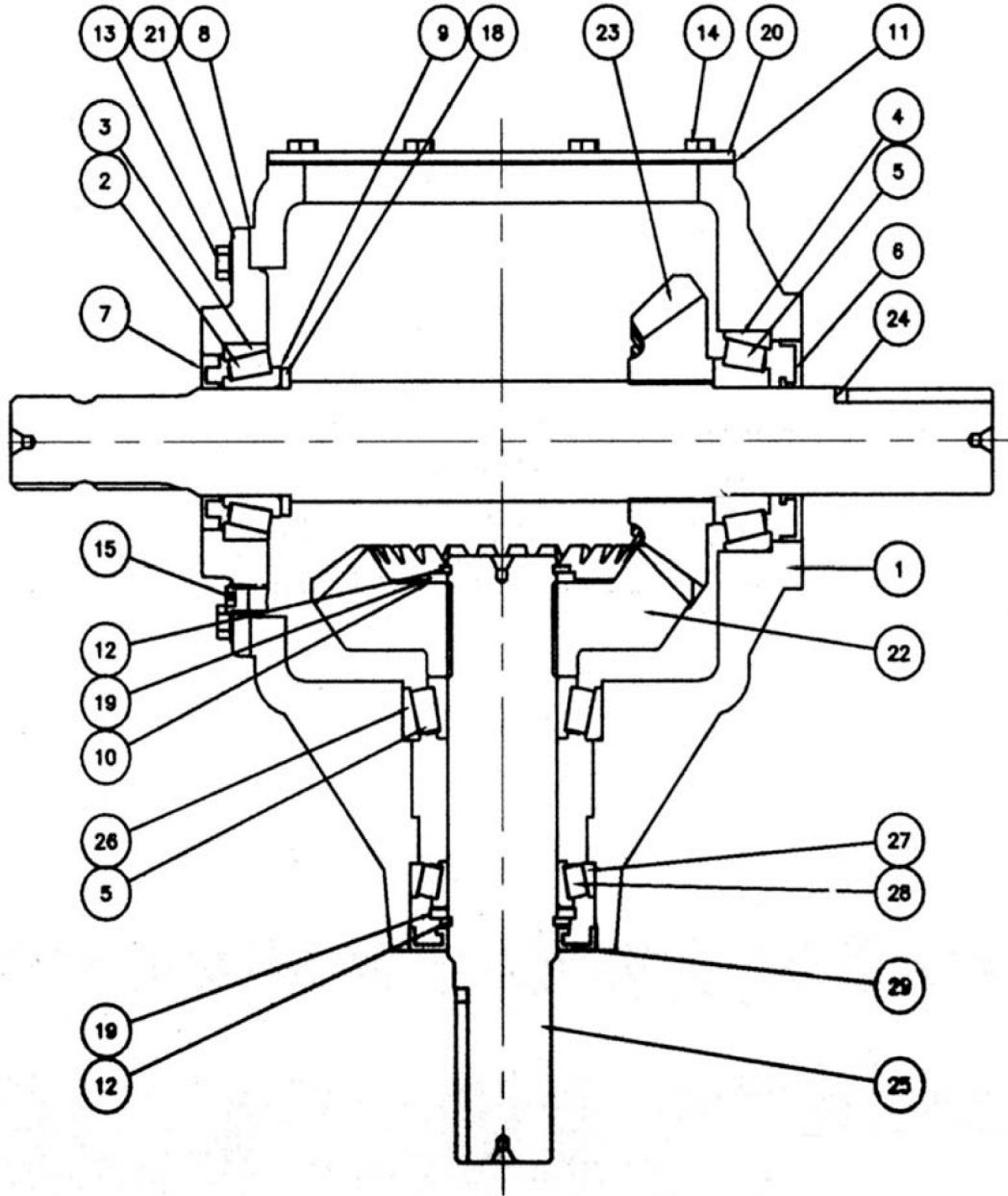
ITEM	QTY	PART #	DESCRIPTION
1	1	84459	BRAKE CALIPER
2	8	1183	BOLT, HEX HEAD, 5/16 X 3/4 - 18 UNC GR5
3	8	2539	NUT, TOP LOCK, 1/2 - 13 UNC
4	6	1262	BOLT, HEX HEAD, 1/2 X 5 - 13 UNC GR5
5	2	8638	PRESSURE GAUGE
6	1	72153	HYDRAULIC ADAPTOR, 1/4" NPTFM X 9/16" JICFMS
7	1	80793	KEY, 9MM X 14MM X 45MM
8	1	72152	HYDRAULIC TEE, 9/16" JICFMS X 9/16" JICM X 9/16" JICM
9	1	1251	BOLT, HEX HEAD, 1/2 X 1 3/4 - 13 UNC GR5
10	1	72133	HYDRAULIC BULKHEAD, 9/16" JICM X 9/16" JICM
11	1	72132	HYDRAULIC HOSE, 1/4" NPTM X 9/16" JICFMS X 45°, 15" LENGTH
12	1	71741	HYDRAULIC ROTATING COUPLER, 1/4" NPT
13	3	1168	BOLT, HEX HEAD, 1/4 X 2 - 20 UNC GR5
14	3	1634	LOCK WASHER, 1/4"
15	2	84477	BRAKE PAD (PAIR)
16	1	90895	SPROCKET/BEARING ASSEMBLY
17	2	37090	FLAT WASHER, BRASS, 3/8"
18	1	84480	HOSE, BRAKE LINE
19	1	84479	BOLT BANJO
20	1	84478	HYDRAULIC COUPLER, 1/8" NPT X 3/16" BRAKE LINE
21	1	84476	WASHER, 2 5/32" OD X 9/16" ID X 3/8" TH
22	1	84464	END CAP, MACHINED, 3" OD X 2" LONG
23	1	84458	WELDMENT
24	1	84461	BRAKE ROTOR, MACHINED
25	1	202203	COVER, BRAKE CLUTCH

# Lower Auger Cleanout



ITEM NO.	PART NUMBER	DESCRIPTION	QTY.
1	4073	COUPLER BALL RIVET SHORT - HOOK/HANDLE -4"/5"/6"	1
2	84491	U-BOLT 5/16"-18 x 2" x 3"	1
3	204067	DOOR SMALL CLEAN-OUT	1
4	204068	RUBBER SEAL SMALL CLEAN-OUT	1

**Graincart Gearbox, Part# 80500**

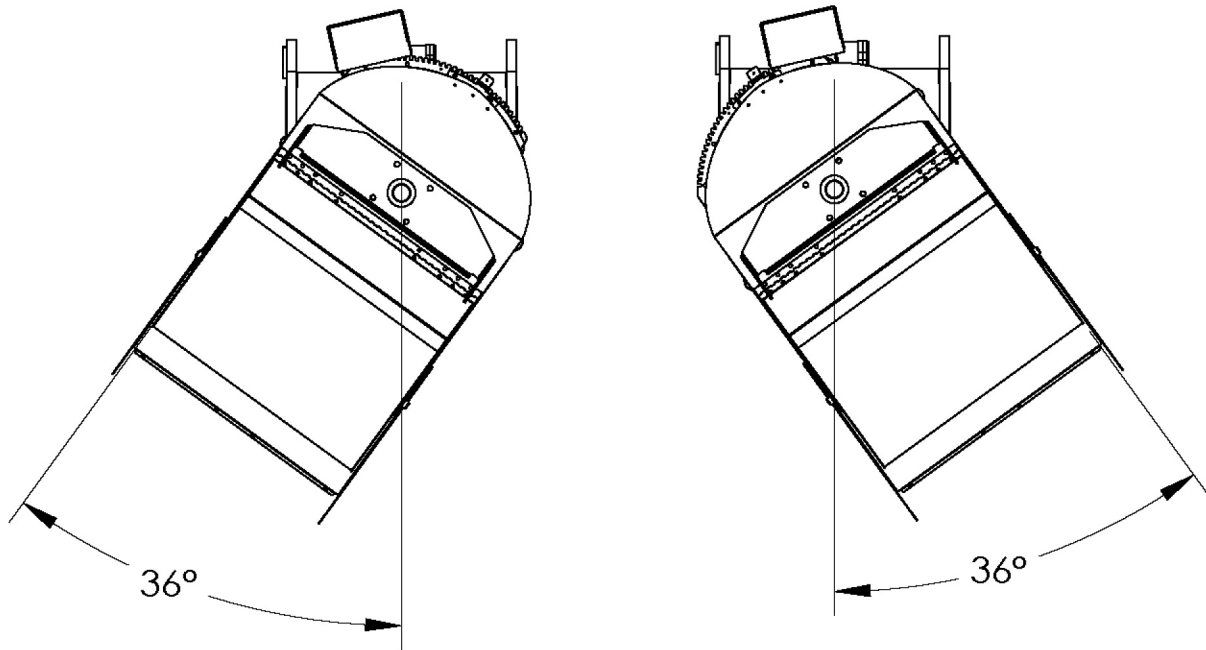
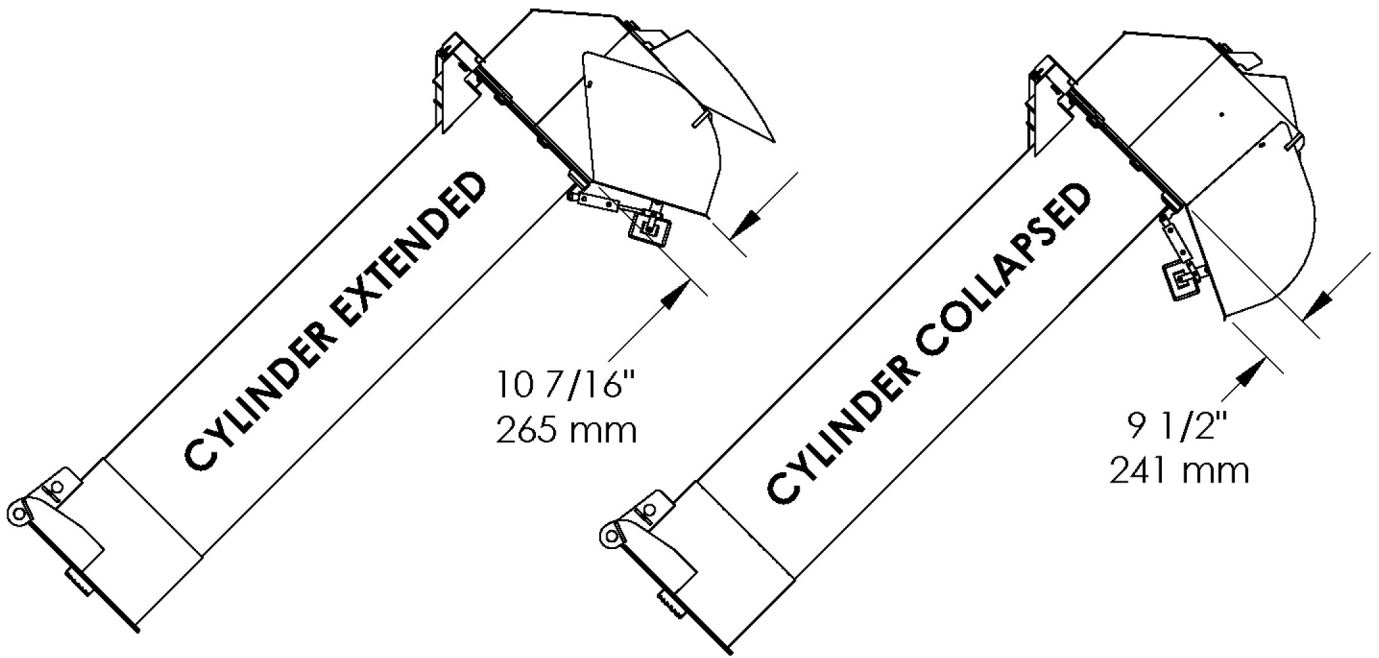




### Graincart Gearbox Part # 80500

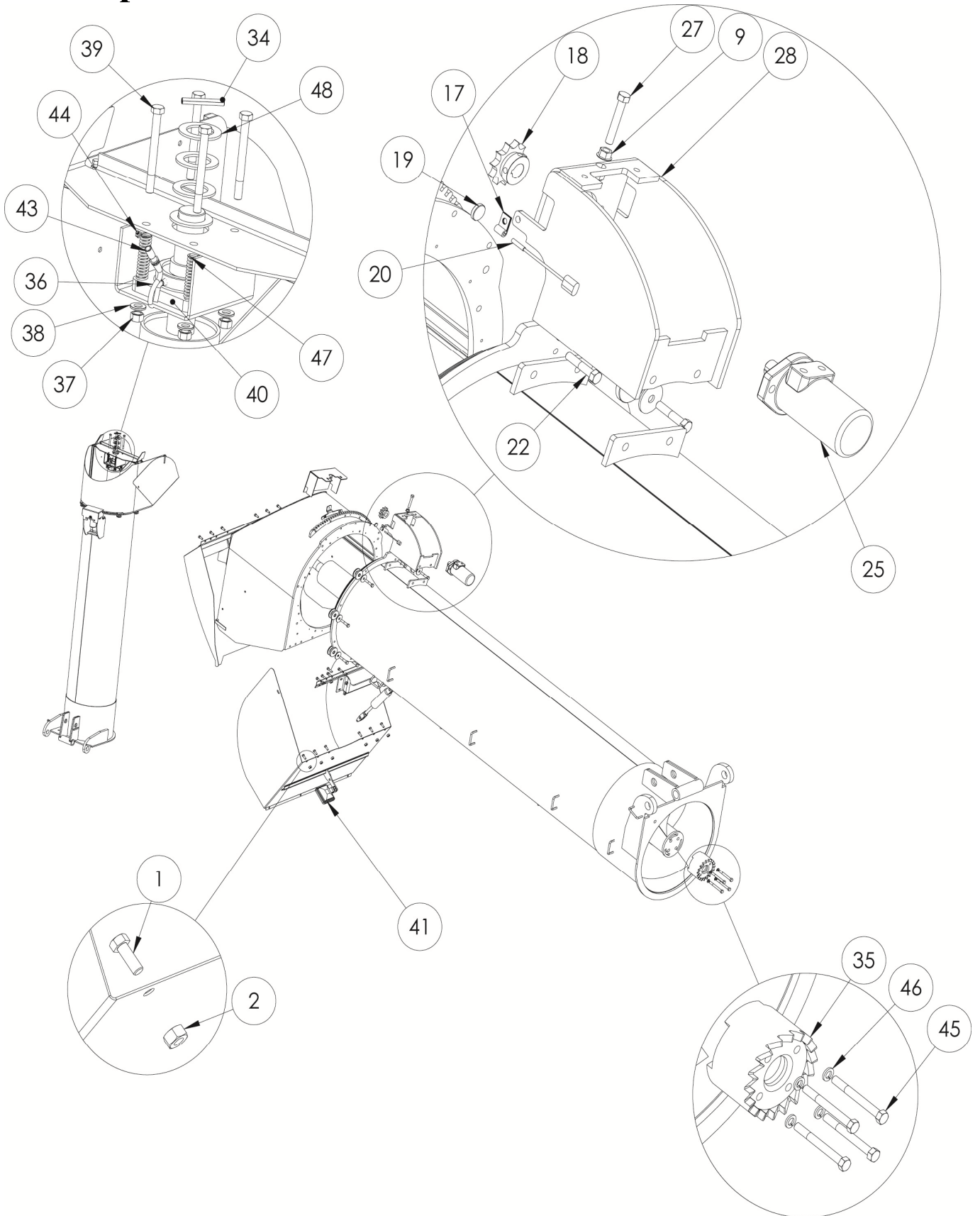
Item#	QTY.	Part #	Description
1	1	50767	HOUSING GEARBOX - 1000 GRAIN CART GEARBOX
2	1	22602	BEARING CUP
3	1	50768	BEARING CONE GRAIN CART GEARBOX
4	1	50769	BEARING CONE GRAIN CART GEARBOX
5	2	50770	BEARING CUP GRAIN CART GEARBOX
6	1	50771	SEAL OIL GRAIN CART GEARBOX
7	1	50524	SEAL PRAIRIE #1499 SHREDDER GEARBOX 1000 RPM 2" ID FOR INPUT SHAFT
8	1	22604	SHIM .007 (COVER) PRAIRIE #1544
9	1	50781	SHIM 2" ID X .007 THK GRAIN CART GEARBOX
10	1	50782	SHIM 2.25" IN GRAIN CART GEARBOX
11	1	50780	GASKET, COVER PLATE GRAIN CART GEARBOX
12	2	52274	SNAP RING GRAIN CART GEARBOX
13	8	1206	BOLT .37" X 1" HEXHEAD GRADE 5 Z.P.
14	8	1204	BOLT .37" X .75" HEXHEAD GRADE 5 Z.P.
15	1	6997	PLUG DRAIN HEX SOC .25 NPT
16	1	8907	PIPE PLUG .50-14 NPTF SQ HD
17	1	50785	VENT 1/2" NPT GRAIN CART GEARBOX
18	1	50417	WASHER 2" ID X .179 OUTPUT SHAFT PUMP VERTICAL LAGOON
19	2	50784	WASHER 2.25" ID X .179 GRAIN CART GEARBOX
20	1	50778	PLATE COVER GRAIN CART GEARBOX
21	1	50779	COVER OPEN GRAIN CART GEARBOX
22	1	50774	GEAR 27T GRAIN CART GEARBOX
23	1	50775	PINION 20T GRAIN CART GEARBOX
24	1	50776	SHAFT THRU GRAIN CART GEARBOX
25	1	50777	SHAFT QUILL GRAIN CART GEARBOX
26	1	50772	BEARING CONE GRAIN CART GEARBOX
27	1	13149	BEARING CUP INNER 382A 8 BOLT HVY
28	1	13150	BEARING CONE INNER
29	1	50773	SEAL OIL GRAIN CART GEARBOX GERABOX 2.25" ID X 3.876" OD

# 71750 Multi-Directional Downspout Articulation



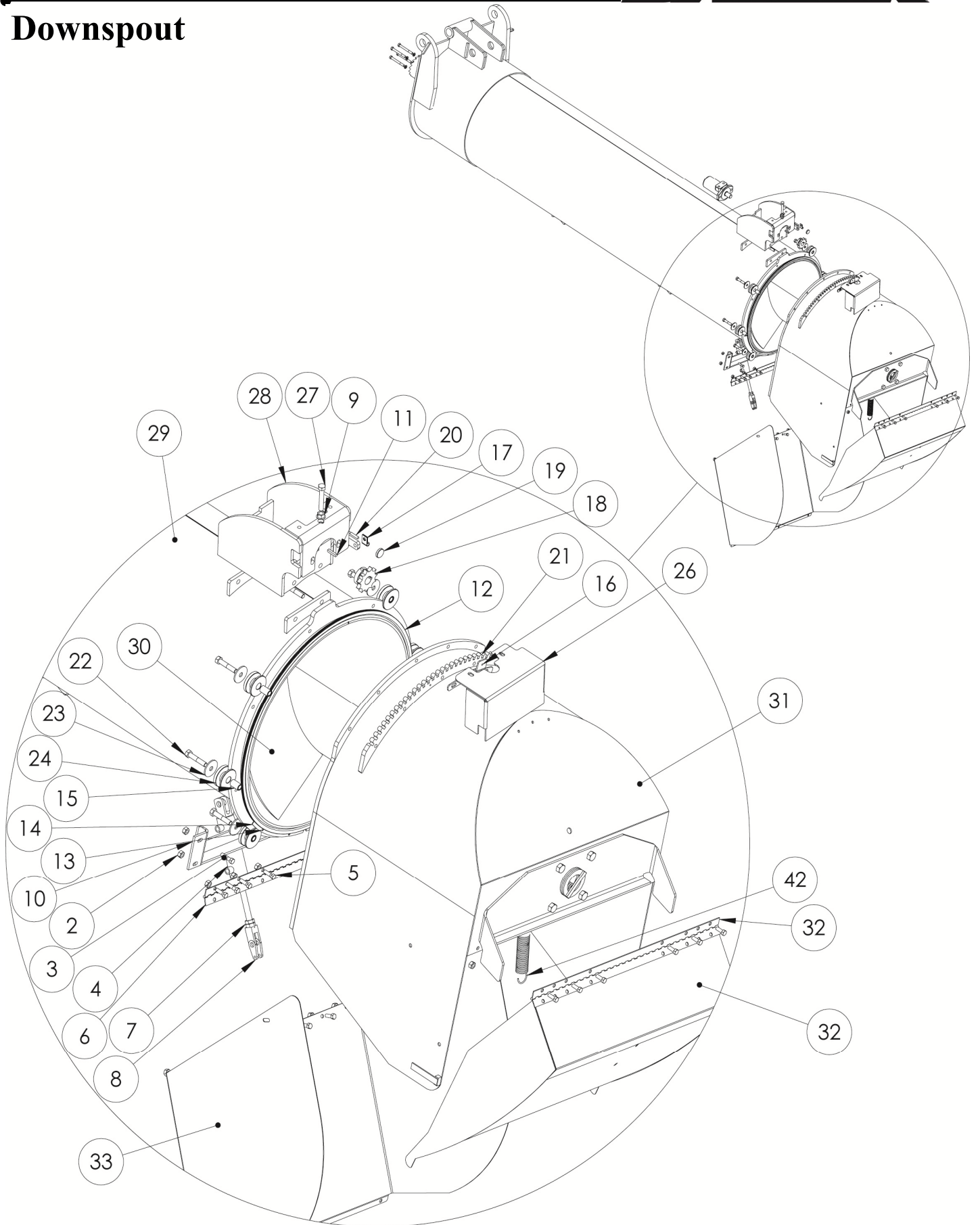
**DEGREES OF TRAVEL TO FRONT AND REAR**

# 71750 Multi-Directional Downspout



# 71750 Multi-Directional Downspout

**BALZER**





# 71750 Multi-Directional



## Downspout

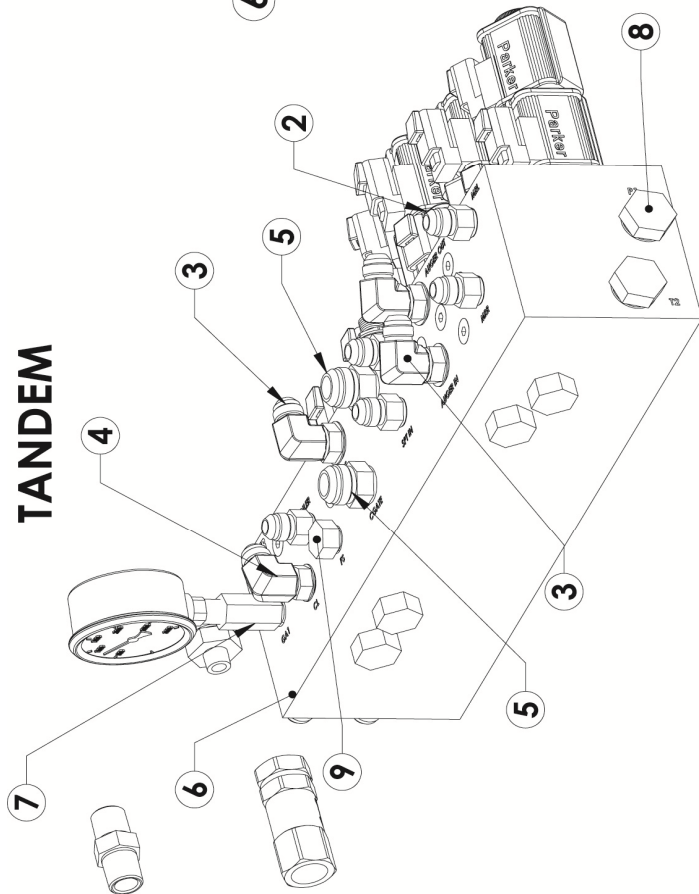
ITEM #	PART #	DESCRIPTION	QTY.
1	1206	BOLT HEXHEAD .37" x 1.00" - UNC 16 GR5	12
2	1773	NUT TOPLOCK .37"-16 UNC	22
3	1208	BOLT HEXHEAD .37" x 1.50" - UNC 16 GR5	4
4	41710	HYD CYL 1.50"B X04.00"S X0.75R -WELD 1000PSI	1
5	1207	BOLT HEXHEAD .37" x 1.25" - UNC 16 GR5	6
6	71757	HINGE CONTINUOUS 2" WIDE 1/4" PIN DIA. W/HOLES	1
7	72122	NUT .62-18 JAM HEX	1
8	41709	CLEVIS BRAKE LINKAGE	1
9	2084	NUT WHIZ .50" - 13 UNC	1
10	71860	LUG HYD CYL SWIVEL AUGER	1
11	2352	KEY .25" x .25" x 1.25" LG	1
12	72096	SEAL RUBBER	1
13	72098	RIVET BLIND .18 X .70 LG	1
14	72097	RING GASKET CLAMP	2
15	71709	BUSHING .051IDX0.75ODX1.22LG	6
16	72101	LIMIT SWITCH MAGNET MNT	1
17	72124	CLAMP LOOP 1/4"	1
18	81500	SPROCKET 11T. X 1"	1
19	72125	MAGNET CERAMIC DISC	1
20	72123	PROXIMITY SENSOR W/ FEMALE WEATHER PACK	1
21	71851	GEAR RACK AUGER BOLT ON	1
22	1254	BOLT HEXHEAD .50" x 2.50" - UNC 13 GR5	8
23	71736	WASHER 0.53IDX2.00ODX0.13TH	6
24	71731	SWIVEL GUIDE ROLLER	6
25	12554	HYD MOTOR 17.9 CU IN	1
26	72157	SHIELD TOP SWIVEL AUGER	1
27	2500	BOLT HEXHEAD .50" x 3.00" - UNC 13 GR5 FULL THREAD	1
28	71855	HYD MOTOR MNT SWIVEL AUGER	1
29	83530	AUGER VERT UPPER SWIVEL WELDMENT	1
30	92427	AUGER VERT UPPER 24" FLIGHTING	1
31	71710	AUGER SWIVEL SPOUT WELDMENT	1
32	71740	AUGER SWIVEL CURVED DEFLECTOR	1
33	71865	AUGER SWIVEL TARGETABLE DOWNSPOUT	1
34	91588	ROLL PIN .50" x 3.50" LG	1
35	85095	UPPER VERTICAL AUGER COUPLER	1
36	24178	HOSE, HYD 1/8" x 10 GREASE LINE	1
37	1776	NUT .62 " TOP LOCK	4
38	1602	WASHER FLAT .62"	4
39	1304	BOLT HEXHEAD .62" x 6.50" - UNC 11 GR5	4
40	26871	BEARING PILLOW 2.18"B x 4 BOLT FLG X 5.12 BP	1
41	60984	WORK LIGHT LED	1
42	72586	SPRING EXT 1.25"OD X 10" LG. X .148 DIA. WIRE	1
43	12333	COUPLER PIPE 1/8" NPT	1
44	2291	ZERK .12" -27 NPT -STRAIGHT	1
45	1261	BOLT HEXHEAD .50" x 4.50" - UNC 13 GR5	4
46	1638	LOCK WASHER .50"	4
47	90596	SPRING COMPRESSION .71 ID x 3.5"	4
48	90598	WASHER 2.25IDX 3.50ODX 0.179TH	4



# 844000 Grain Cart Hydraulics

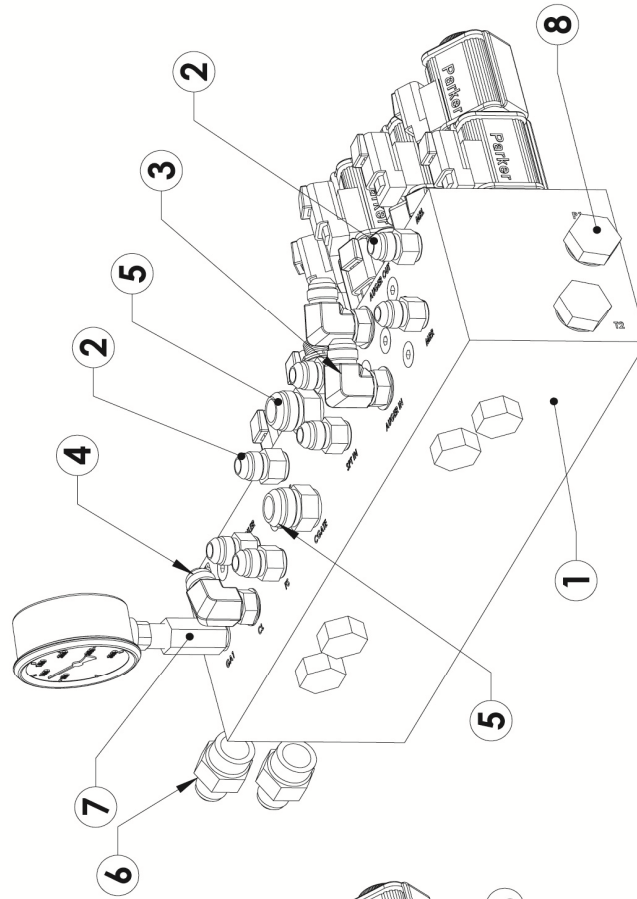


## TANDEM



ITEM #	QTY.	PART #	DESCRIPTION
1	1	850000	HYD VALVE GC COMPLETE W/JOYSTICK AND WIRE HARNESS
2	5	83979	HYD NIPPLE .56 JICMX 0.56ORM (6400-6)
3	3	83978	HYD ELBOW .56 JICMX.75ORM 90 (6801-6-8)
4	1	37299	HYD ELBOW .56 JICM X.56ORM 90 (6801-6)
5	2	847001	HYD NIPPLE .75JICMX 0.75ORM (6400-8)
6	2	72422	HYD NIPPLE .75JICMX 0.87ORM (6400-8-10)
7	1	839002	HYD REDUCER/ EXTENDER .43ORMX.43ORM X 1.25" (6410-L-4-4)
8	2	36897	HYD PLUG .87ORM (6408-10)
9	1	36896	HYD PLUG .56ORM (6408-6)

## TRIDEM

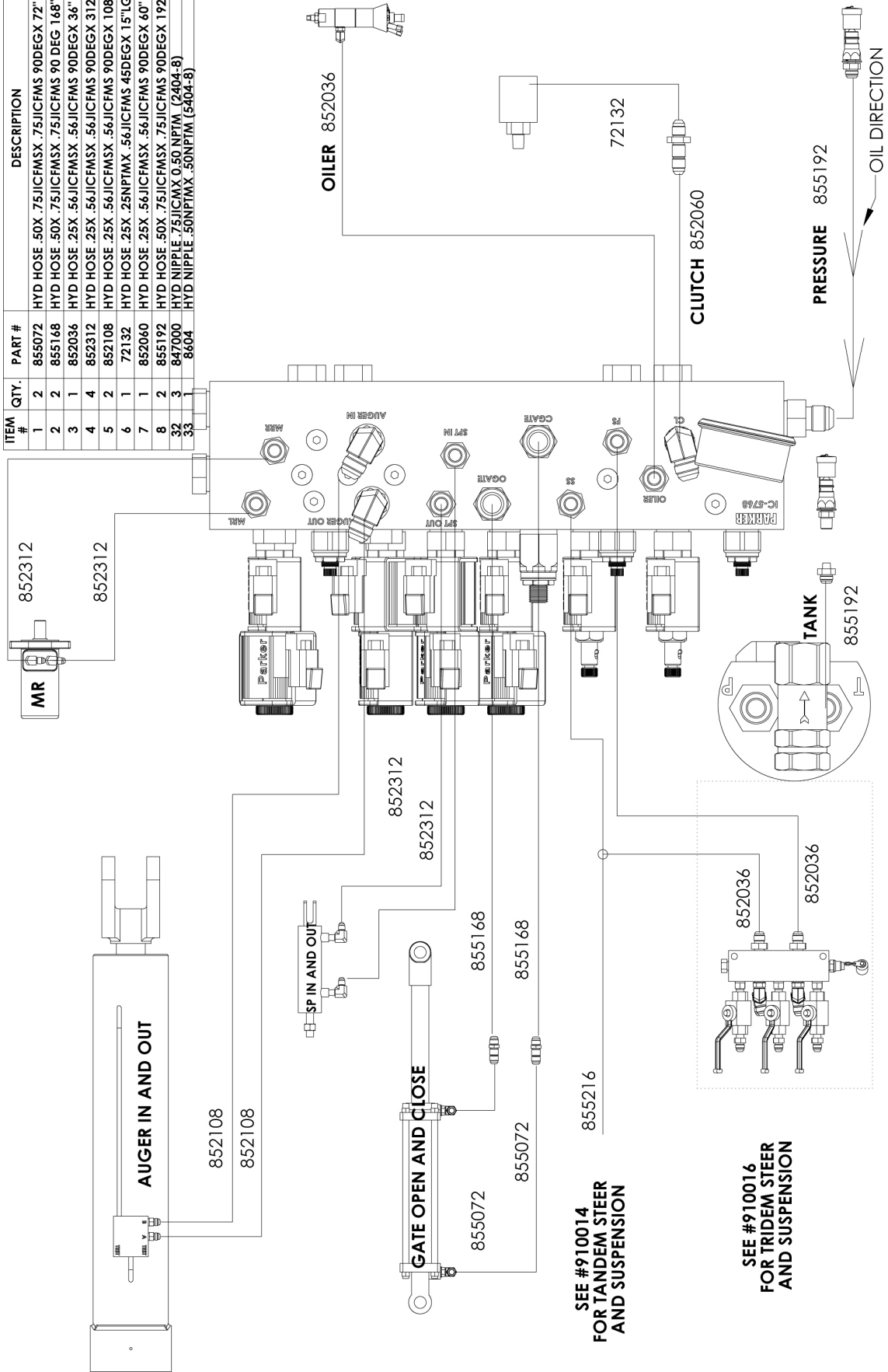


ITEM #	QTY	PART #	DESCRIPTION
1	1	850000	HYD VALVE GC COMPLETE W/JOYSTICK AND WIRE HARNESS
2	7	83979	HYD NIPPLE .56 JICMX 0.56ORM (6400-6)
3	2	83978	HYD ELBOW .56 JICMX.75ORM 90 (6801-6-8)
4	1	37299	HYD ELBOW .56 JICM X.56ORM 90 (6801-6)
5	2	847001	HYD NIPPLE .75JICMX 0.75ORM (6400-8)
6	2	72422	HYD NIPPLE .75JICMX 0.87ORM (6400-8-10)
7	1	839002	HYD REDUCER/ EXTENDER .43ORMX.43ORM X 1.25" (6410-L-4-4)
8	2	36897	HYD PLUG .87ORM (6408-10)
9	2	852036	HYD HOSE .25X .56JICFMSX .56JICFMS 90DEGX 36" LG

# 844000 Grain Cart Hydraulics



ITEM #	QTY.	PART #	DESCRIPTION
1	2	855072	HYD HOSE .50X .75JICFMSX .75JICFMS 90DEGX 72"
2	2	855168	HYD HOSE .50X .75JICFMSX .75JICFMS 90 DEG 168"
3	1	852036	HYD HOSE .25X .56JICFMSX .56JICFMS 90DEGX 36" LG
4	4	852312	HYD HOSE .25X .56JICFMSX .56JICFMS 90DEGX 312" LG
5	2	852108	HYD HOSE .25X .56JICFMSX .56JICFMS 90DEGX 108" LG
6	1	72132	HYD HOSE .25X .25NPTMX .56JICFMS 45DEGX 15" LG
7	1	852060	HYD HOSE .25X .56JICFMSX .56JICFMS 90DEGX 60" LG
8	2	855192	HYD HOSE .50X .75JICFMSX .75JICFMS 90DEGX 192" LG
32	3	847000	HYD NIPPLE .75JICMX 0.50 NPTM (2404-8)
33	1	8604	HYD NIPPLE .50NPTMX .50NPTM (5404-8)



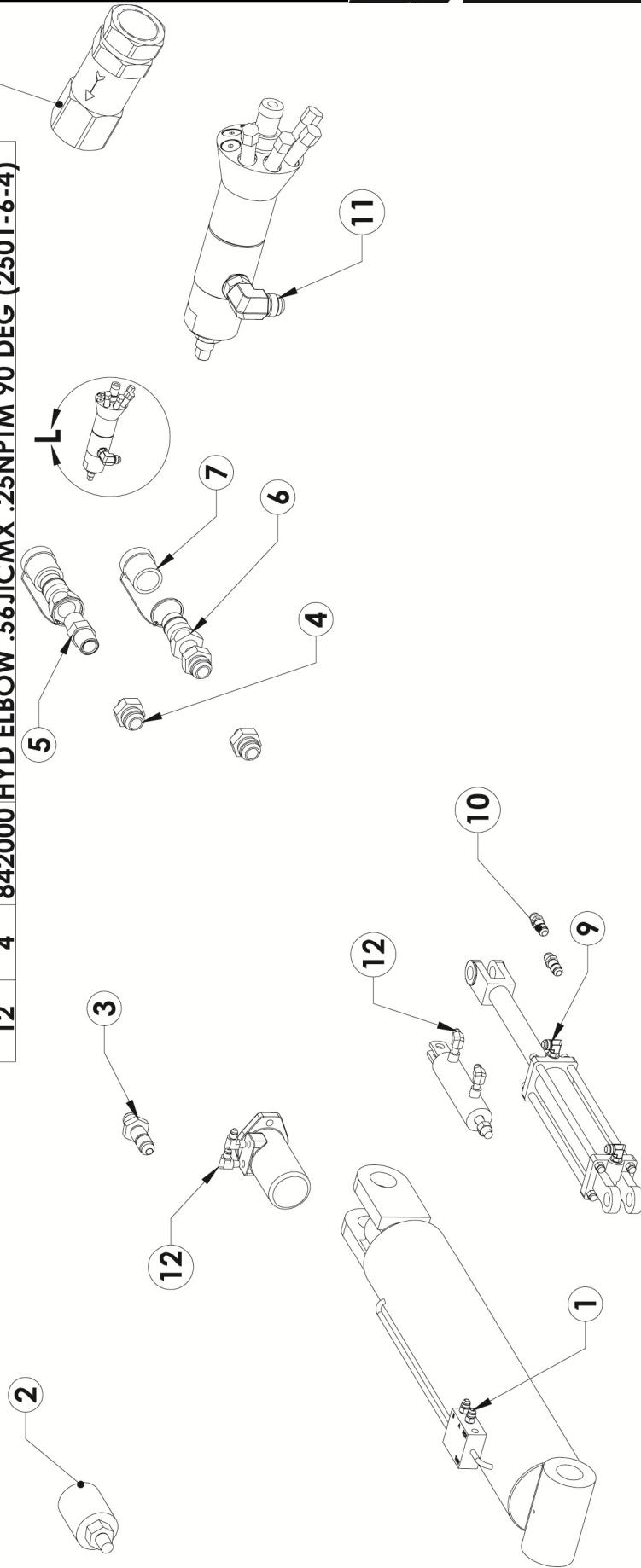
SEE #910014  
FOR TANDEM STEER  
AND SUSPENSION

SEE #910016  
FOR TRIDEM STEER  
AND SUSPENSION

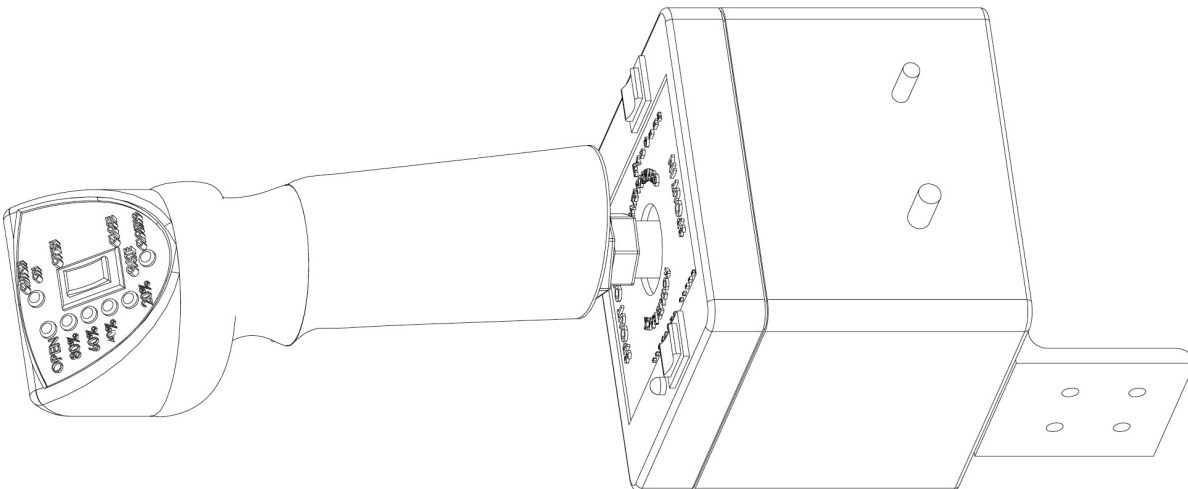
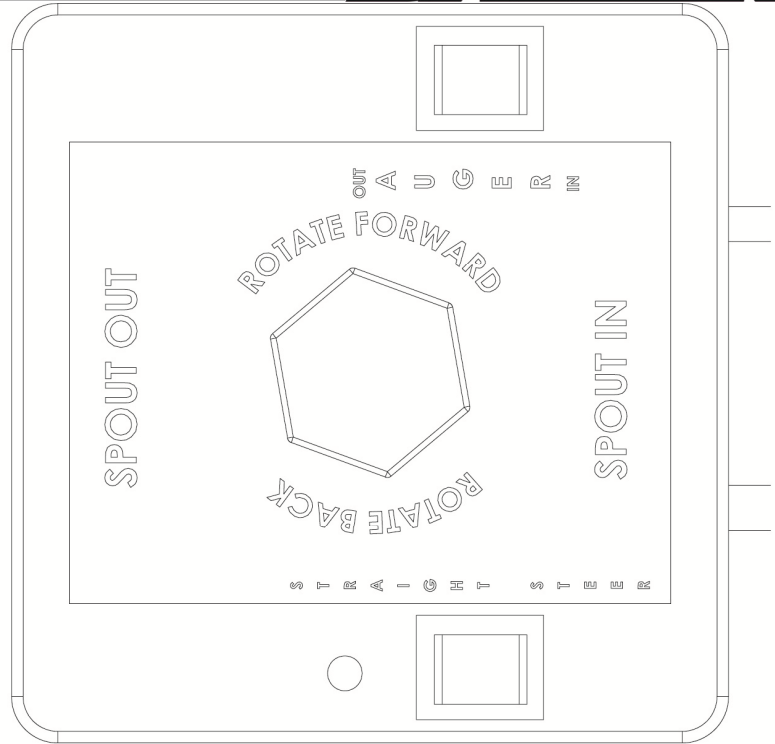
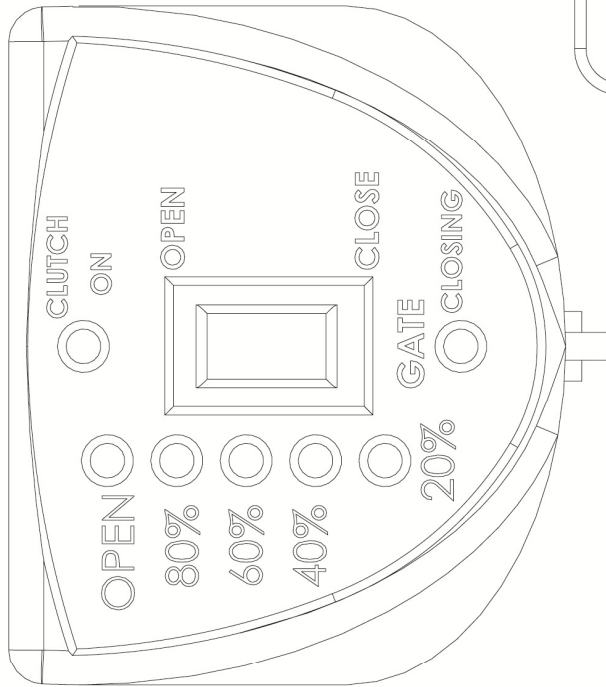
# 844000 Grain Cart Hydraulics



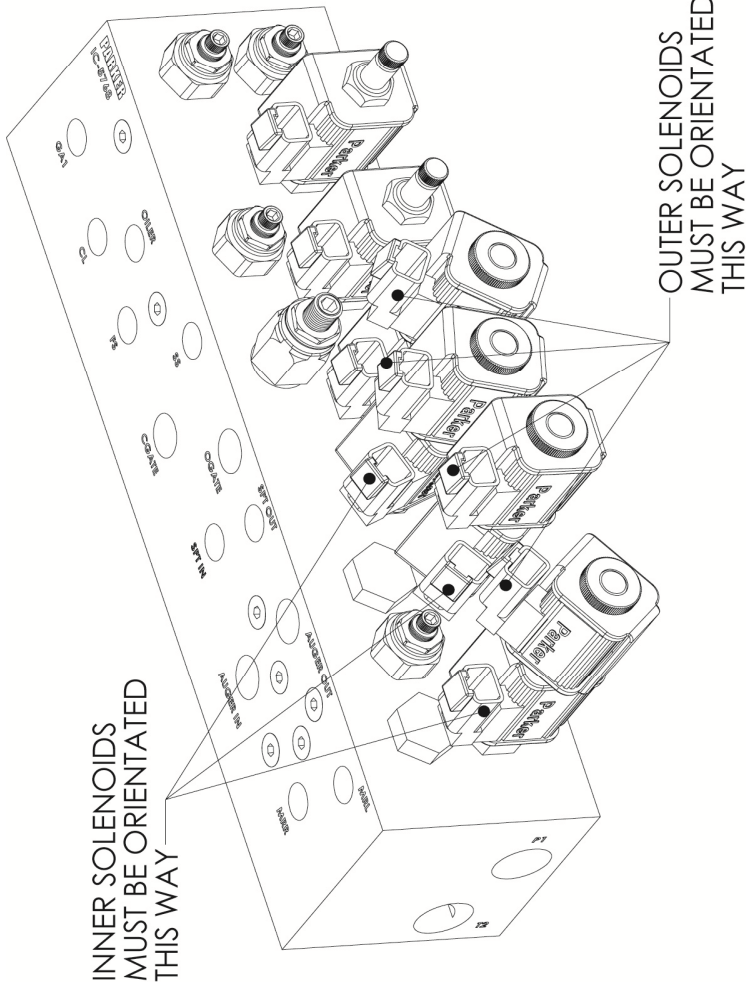
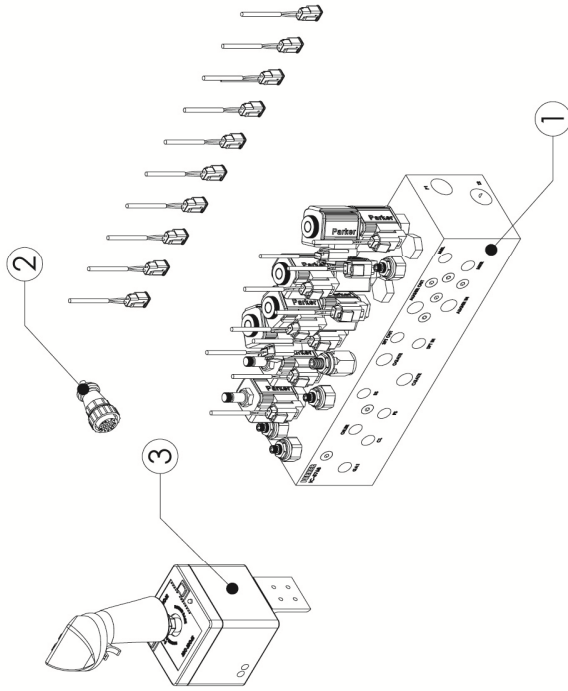
ITEM #	QTY.	PART #	DESCRIPTION
1	2	83979	HYD NIPPLE .56JICMX 0.56ORM (6400-6)
2	1	71741	HYD ROTATING COUPLER .25" NPT
3	1	72133	HYD BULKHEAD .56JICMX.56JICM (2700-6)
4	3	847000	HYD NIPPLE .75JICMX 0.50 NPTM (2404-8)
5	1	8604	HYD NIPPLE .50NPTMX .50NPTM (5404-8)
6	2	11023	HYD MISC PIONEER MALE / .50NPTFM (S71-4)
7	2	28392	HYD MISC PIONEER DUST CAP (S49-4)
8	1	10459	HYD VALVE CHECK .50" NPTFM x .50" NPTFM
9	2	72831	HYD ELBOW .75 JICM X.75ORM 90 (6801-8)
10	2	72551	HYD BULKHEAD .75JICMX.75JICM (2700-8)
11	1	842002	HYD ELBOW .56JICM X.43ORM 90 (6801-6-4)
12	4	842000	HYD ELBOW .56JICMX .25NPTM 90 DEG (2501-6-4)



# 845000 Grain Cart Joystick



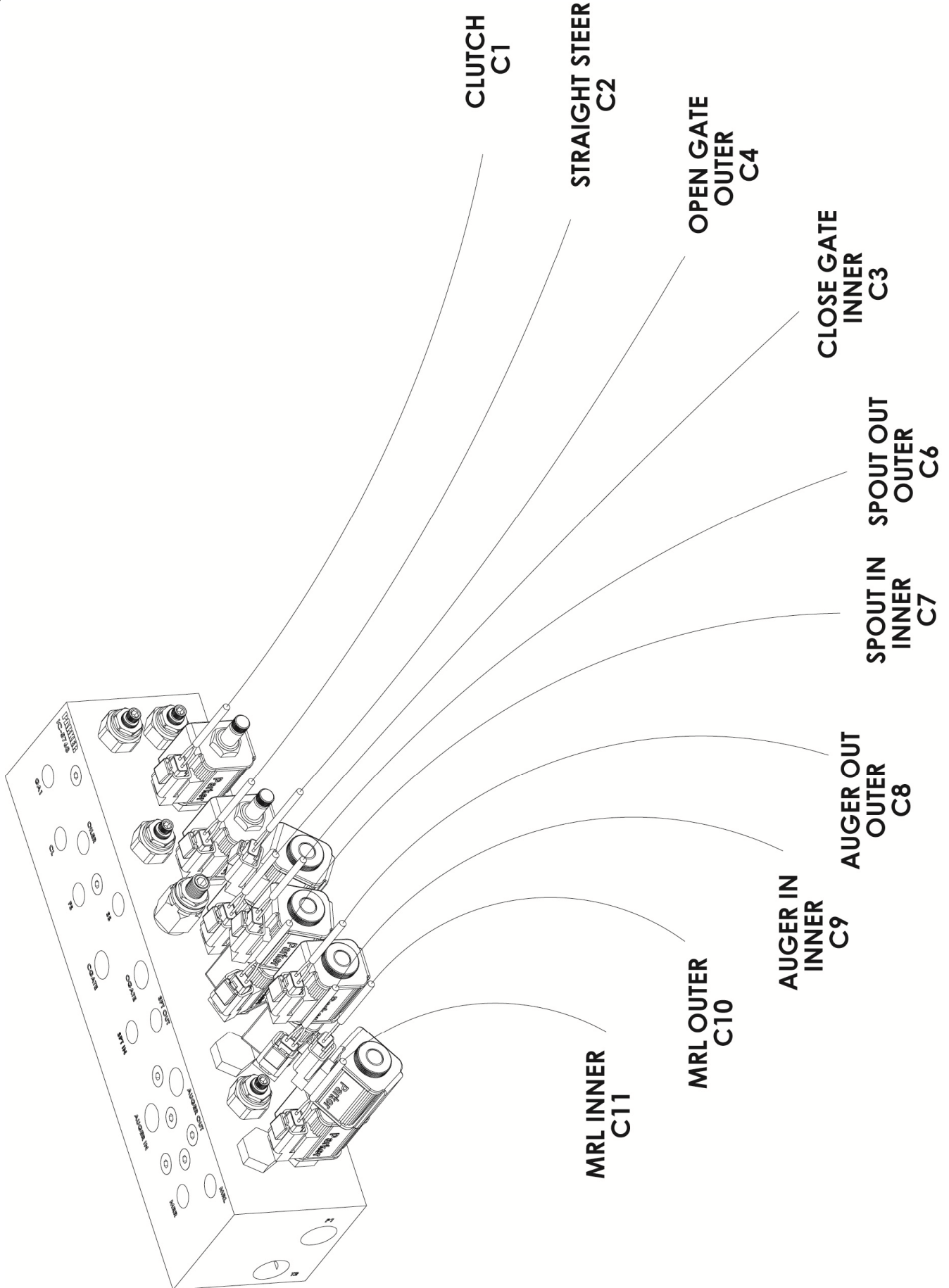
# 845000 Grain Cart Joystick



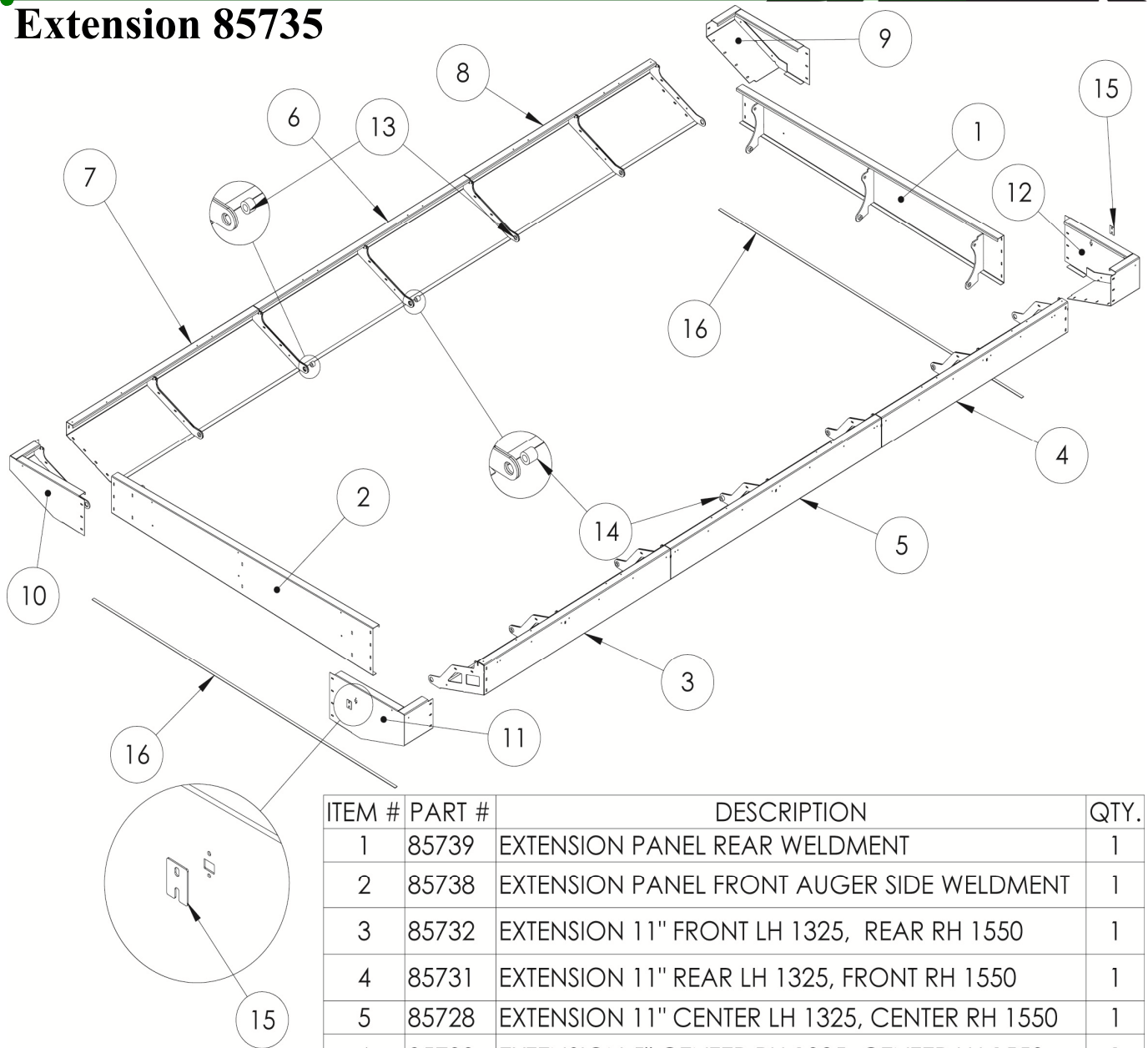
ITEM #	QTY.	PART #	DESCRIPTION
1	1	850000	VALVE BODY GRAIN CART IC-5768
2	1	845001	WIRE HARNESS GC 10 WIRES (XM-JS-04-AL17)
3	1	845000	JOYSTICK GRAINCART



# 845000 Grain Cart Joystick

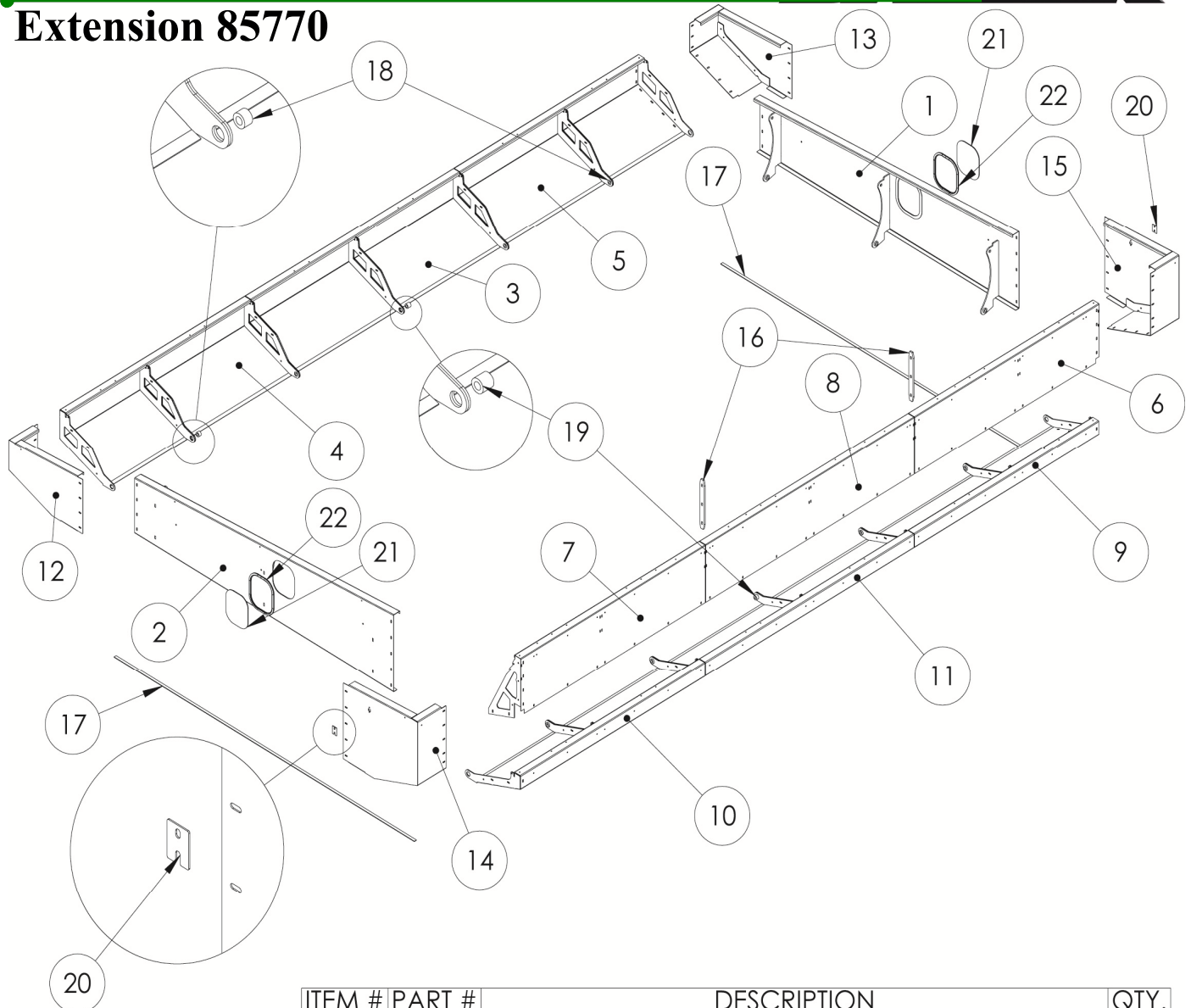


# 1325 Bushel Folding Extension 85735



ITEM #	PART #	DESCRIPTION	QTY.
1	85739	EXTENSION PANEL REAR WELDMENT	1
2	85738	EXTENSION PANEL FRONT AUGER SIDE WELDMENT	1
3	85732	EXTENSION 11" FRONT LH 1325, REAR RH 1550	1
4	85731	EXTENSION 11" REAR LH 1325, FRONT RH 1550	1
5	85728	EXTENSION 11" CENTER LH 1325, CENTER RH 1550	1
6	85730	EXTENSION 5" CENTER RH 1325, CENTER LH 1550	1
7	85745	EXTENSION 5" FRONT RH 1325 REAR LH 1550	1
8	85744	EXTENSION 5" REAR RH 1325 FRONT LH 1550	1
9	85736	CORNER WELD REAR RH 1325 2010	1
10	85737	CORNER WELD FRONT RH 1325 2010	1
11	85741	CORNER WELD FRONT LH 1325 2010	1
12	85740	CORNER WELD REAR LH 1325 2010	1
13	85765	BUSHING - PIVOT 1.5" OD x .344" WALL 1.0" LONG	14
14	85766	BUSHING - PIVOT 1.5" OD x .344" WALL 1.37" LONG	2
15	72752	COVER WORK LIGHT GRAIN CART EXTENSIONS	2
16	85075A	GASKET 1" x 3/8" x 11' 5" LONG	2

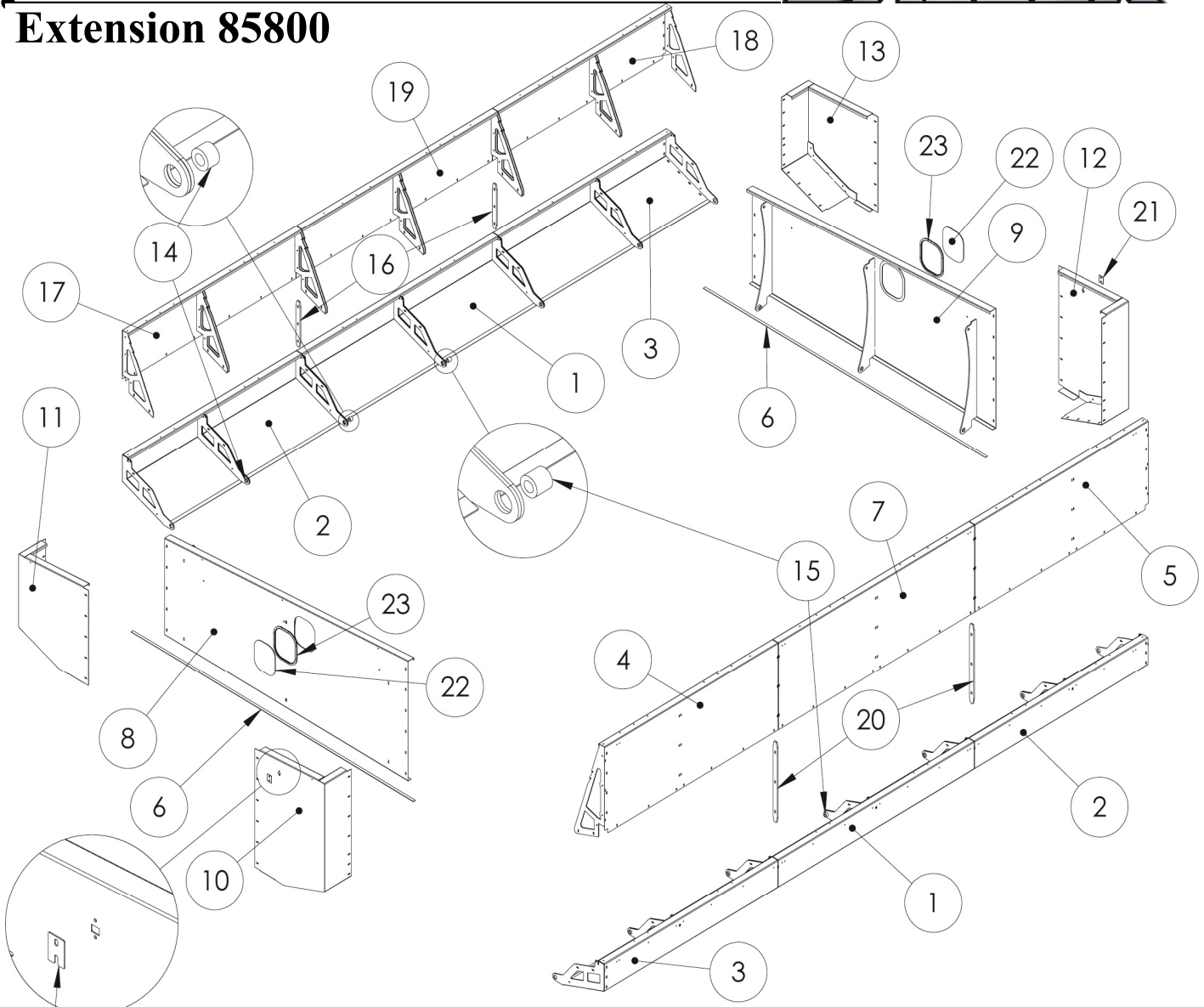
# 1550 Bushel Folding Extension 85770



ITEM #	PART #	DESCRIPTION	QTY.
1	85779	EXTENSION PANEL REAR WELDMENT 1550 2010	1
2	85778	EXTENSION PANEL FRONT WELDMENT 1550 2010	1
3	85728	EXTENSION 11" CENTER LH 1325, CENTER RH 1550	1
4	85731	EXTENSION 11" REAR LH 1325, FRONT RH 1550	1
5	85732	EXTENSION 11" FRONT LH 1325, REAR RH 1550	1
6	85771	EXTENSION PANEL REAR LH 1550 FRONT RH 2000	1
7	85772	EXTENSION PANEL FRONT LH 1550 REAR RH 2000	1
8	85785	EXTENSION PANEL CENTER LH 1550, RH 2000	1
9	85745	EXTENSION 5" FRONT RH 1325 REAR LH 1550	1
10	85744	EXTENSION 5" REAR RH 1325 FRONT LH 1550	1
11	85730	EXTENSION 5" CENTER RH 1325, CENTER LH 1550	1
12	85776	CORNER WELD FRONT RH 1550 2010	1
13	85777	CORNER WELD REAR RH 1550 2010	1
14	85790	CORNER WELD FRONT LH 1550 2010	1
15	85791	CORNER WELD REAR LH 1550 2010	1
16	85793	EXTENSION PLATE 1/2" FILLER	2
17	85075	GASKET 1" x 3/8" x 25' LONG	2
18	85765	BUSHING - PIVOT 1.5" OD x .344" WALL 1.0" LONG	14
19	85766	BUSHING - PIVOT 1.5" OD x .344" WALL 1.37" LONG	2
20	72752	COVER WORK LIGHT GRAIN CART EXTENSIONS	2
21	90318	WINDOW IN GRAIN CART	2
22	90739	RUBBER SEAL - WEATHERSTRIP	2

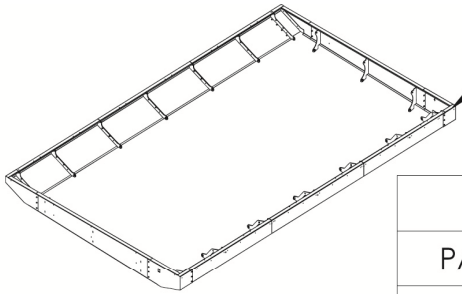


# 2000 Bushel Folding Extension 85800



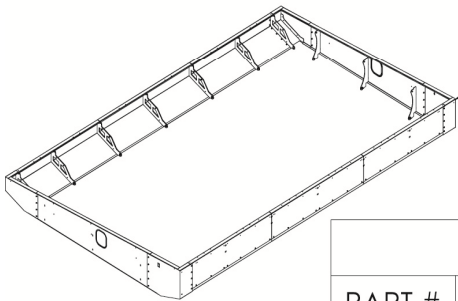
ITEM #	PART #	DESCRIPTION	QTY.
1	85728	EXTENSION 11" CENTER LH 1325, CENTER RH 1550	2
2	85731	EXTENSION 11" REAR LH 1325, FRONT RH 1550	2
3	85732	EXTENSION 11" FRONT LH 1325, REAR RH 1550	2
4	85802	EXTENSION PANEL UPPER ROAD FRONT 32.5" x 84.75" LONG	1
5	85801	EXTENSION UPPER ROAD REAR 32.5" x 84.75" LONG	1
6	85075	GASKET 1" x 3/8" x 25' LONG	2
7	85825	EXTENSION CENTER PANEL UPPER 32.5" x 95.75" LONG	1
8	85810	EXTENSION PANEL FRONT WELD 2000	1
9	85809	EXTENSION PANEL REAR WELDMENT 2000	1
10	85821	EXTENSION CORNER 43.62" TALL ROAD FRONT	1
11	85823	EXTENSION CORNER 29.56" Tall FRONT CURB	1
12	85816	EXTENSION CORNER 43.62" TALL ROAD-REAR	1
13	85815	EXTENSION CORNER 29.56" Tall REAR CURB	1
14	85765	BUSHING - PIVOT 1.5" OD x .344" WALL 1.0" LONG	14
15	85766	BUSHING - PIVOT 1.5" OD x .344" WALL 1.37" LONG	2
16	85793	EXTENSION PLATE 1/2" FILLER	2
17	85771	EXTENSION PANEL REAR LH 1550 FRONT RH 2000	1
18	85772	EXTENSION PANEL FRONT LH 1550 REAR RH 2000	1
19	85785	EXTENSION PANEL CENTER LH 1550, RH 2000	1
20	85832	EXTENSION PLATE 1/2" FILLER 2000	2
21	72752	COVER WORK LIGHT GRAIN CART EXTENSIONS	2
22	90318	WINDOW IN GRAIN CART	2
23	90739	RUBBER SEAL - WEATHERSTRIP	2

# Folding Extension Hardware Totals



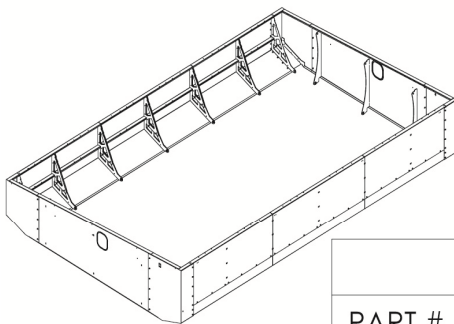
**PART # 85735**

<b>1325 Bushel Extension Hardware Totals</b>		
PART #	DESCRIPTION	QTY.
1598	WASHER FLAT .37"	38
1206	BOLT HEXHEAD .37" x 1.00" - UNC 16 GR5	38
2082	NUT WHIZ .37" - 16 UNC	38



**PART # 85770**

<b>1550 Bushel Extension Hardware Totals</b>		
PART #	DESCRIPTION	QTY.
1206	BOLT HEXHEAD .37" x 1.00" - UNC 16 GR5	50
2082	NUT WHIZ .37" - 16 UNC	50
1598	WASHER FLAT .37"	50

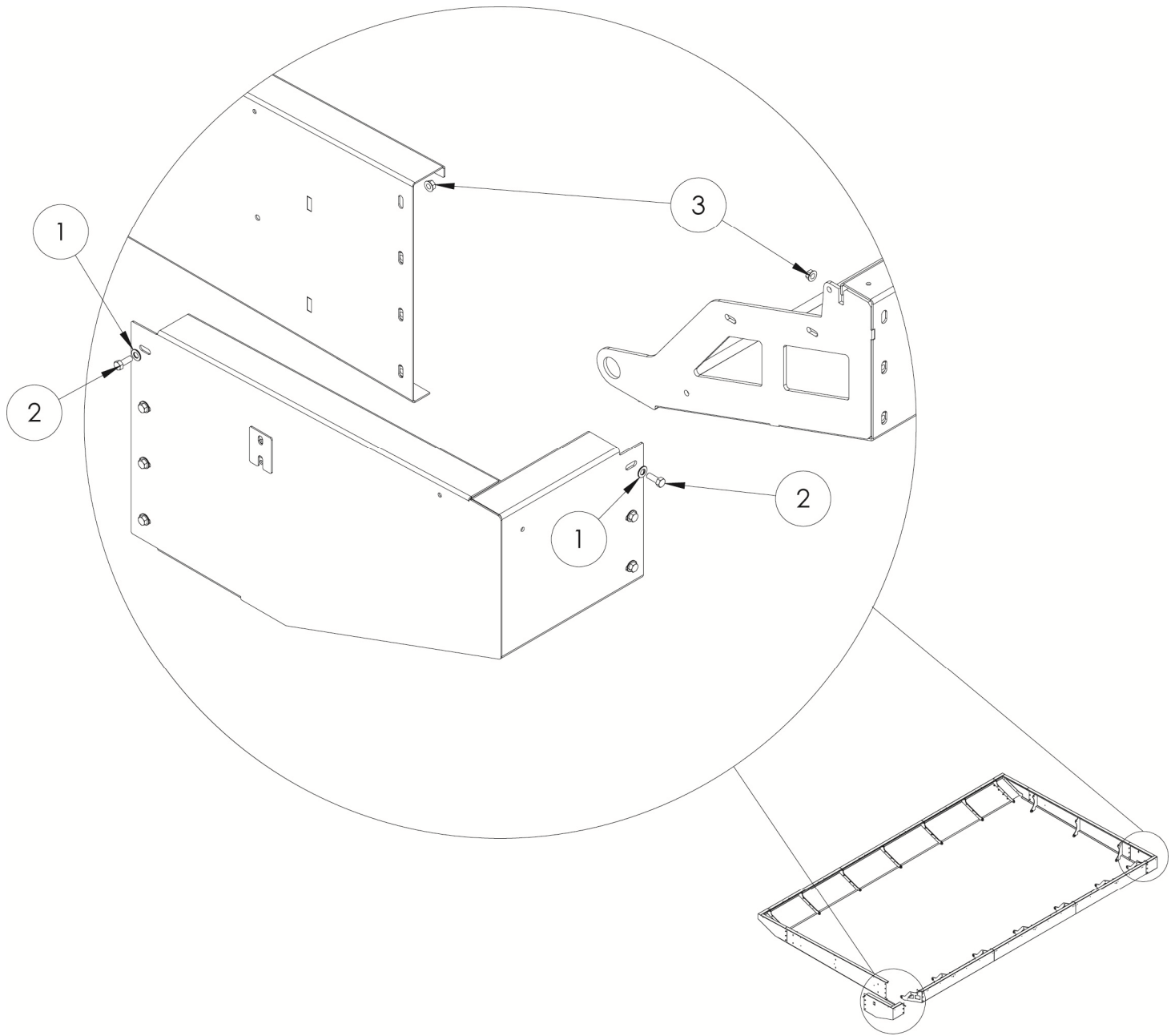


**PART # 85800**

<b>2000 Bushel Extension Hardware Totals</b>		
PART #	DESCRIPTION	QTY.
1206	BOLT HEXHEAD .37" x 1.00" - UNC 16 GR5	66
2082	NUT WHIZ .37" - 16 UNC	66
1598	WASHER FLAT .37"	66



# Folding Extension Hardware Locations

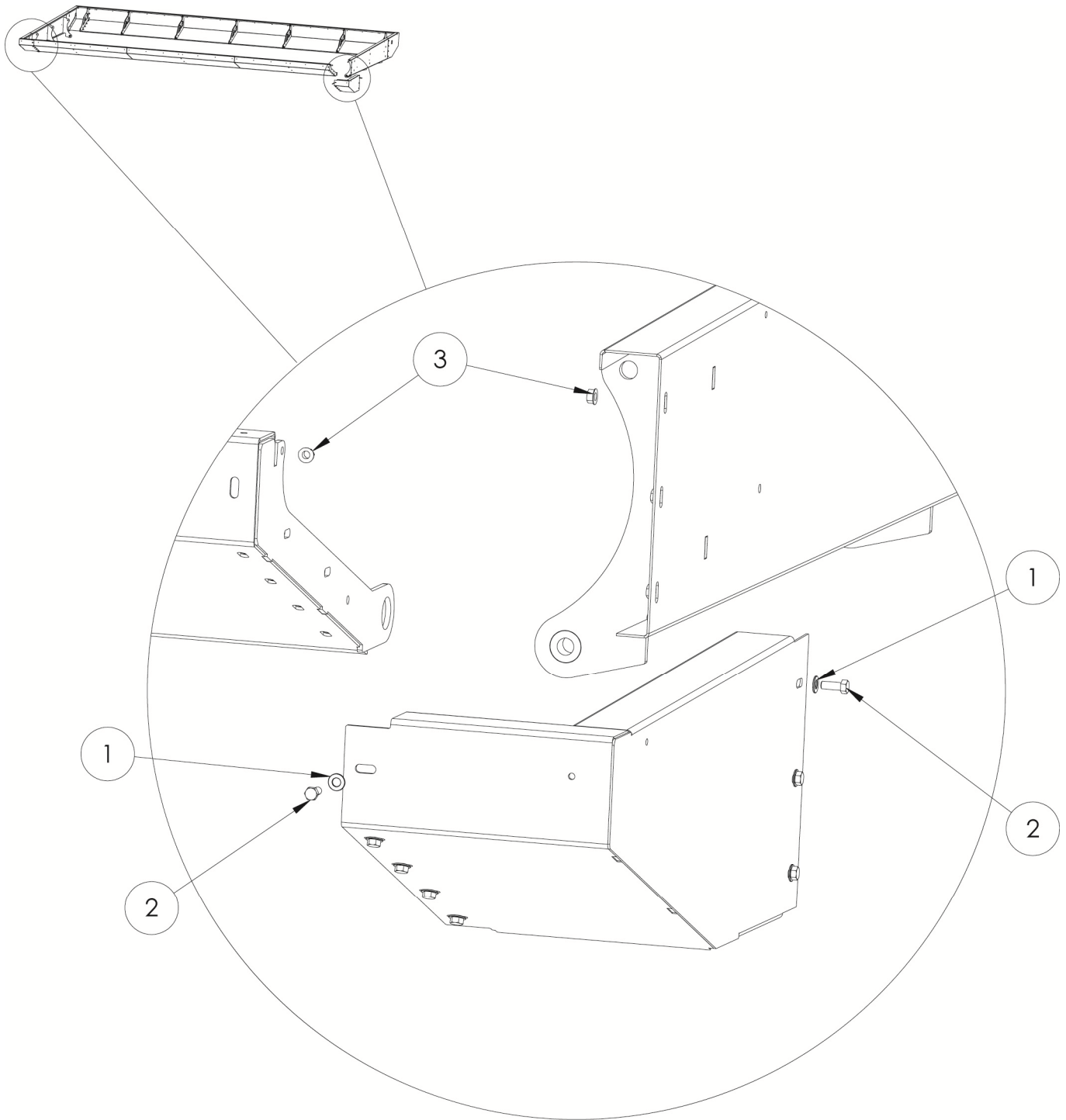


ITEM #	PART #	DESCRIPTION	QTY.
1	1598	WASHER FLAT .37"	38
2	1206	BOLT HEXHEAD .37" x 1.00" - UNC 16 GR5	38
3	2082	NUT WHIZ .37" - 16 UNC	38

# Folding Extension



## Hardware Locations Continued



# Hardware Torque Specifications



	SAE J429 Grade 5	SAE J429 Grade 8
	Course Thread	Course Thread
Thread Size	Tightening Torque	Tightening Torque
1/4" - 20	75 in-lbs	107 in-lbs
5/16" - 18	157 in-lbs	220 in-lbs
3/8" - 16	23 ft/lbs	32.5 ft/lbs
7/16" - 14	37 ft/lbs	53 ft/lbs
1/2" - 13	57 ft/lbs	80 ft/lbs
9/16" - 12	82 ft/lbs	115 ft/lbs
5/8" - 11	113 ft/lbs	159 ft/lbs
3/4" - 10	200 ft/lbs	282 ft/lbs
7/8" - 9	321 ft/lbs	454 ft/lbs
1" - 8	482.5 ft/lbs	680 ft/lbs

	SAE J429 Grade 5	SAE J429 Grade 8
	Fine Thread	Fine Thread
Thread Size	Tightening Torque	Tightening Torque
1/4" - 28	85 in-lbs	120 in-lbs
5/16" - 24	173 in-lbs	245 in-lbs
3/8" - 24	26 ft/lbs	37 ft/lbs
7/16" - 20	42 ft/lbs	59 ft/lbs
1/2" - 20	64 ft/lbs	90 ft/lbs
9/16" - 18	92 ft/lbs	129 ft/lbs
5/8" - 18	128 ft/lbs	180 ft/lbs
3/4" - 16	223 ft/lbs	315 ft/lbs
7/8" - 14	355 ft/lbs	500 ft/lbs
1" - 12	528 ft/lbs	745 ft/lbs

# Parts



IT IS THE POLICY OF BALZER COMPANY TO CONSTANTLY IMPROVE IT'S PRODUCTS WHENEVER IT IS PRACTICAL TO DO SO. THEREFORE BALZER COMPANY RESERVES THE RIGHT TO REDESIGN OR CHANGE IT'S EQUIPMENT OR COMPONENT PARTS THEREOF WITHOUT INCURRING THE OBLIGATION TO INSTALL OR FURNISH SUCH CHANGES ON EQUIPMENT PREVIOUSLY DELIVERED.

## INSTRUCTIONS FOR ORDERING PARTS

To enable our customer service department to provide you with the correct replacement parts promptly and accurately, follow the ordering instructions as listed below.

Identify your equipment by serial number whenever possible.

Use part numbers and descriptions from the illustration drawings furnished to assist in identifying the needed parts.

Owners, order all parts through your local dealer.

Dealers must indicate company name, shipping point and mailing address for notification if different from shipping point. State whether freight, express, parcel or other handling is desired.

Send all parts to:

Balzer Inc.  
County Road 27 East  
PO Box 458  
Mountain Lake, MN 56159



## INSTRUCTIONS FOR RETURNING PARTS FOR ADJUSTMENT

Dealers should inspect all parts when received. Shortages or damage should be noted by the carrier agent at the time the parts are accepted. Shippers responsibility ceases upon delivery of shipment to customer in good order. Claims for damage, loss, or malfunction are to be reported within thirty (30) days for warranty considerations.

All returned parts must have return authorization, a copy of the original packing list and transportation prepaid.

For replacement parts contact:

Ken Classen                      Extension 104  
Doug Wellman                  Extension 108

For Service contact:

Dave Bennett                  Extension 134

Phone Number:                (800) 795- 8551  
                                              (800) 727- 3133  
Main:                                (507) 427- 3133  
Fax Number:                    (507) 427- 3640  
Website:                        <http://www.balzerinc.com>































































