

Lagoon Pump

Length Options:

38'

43'

48'

58'

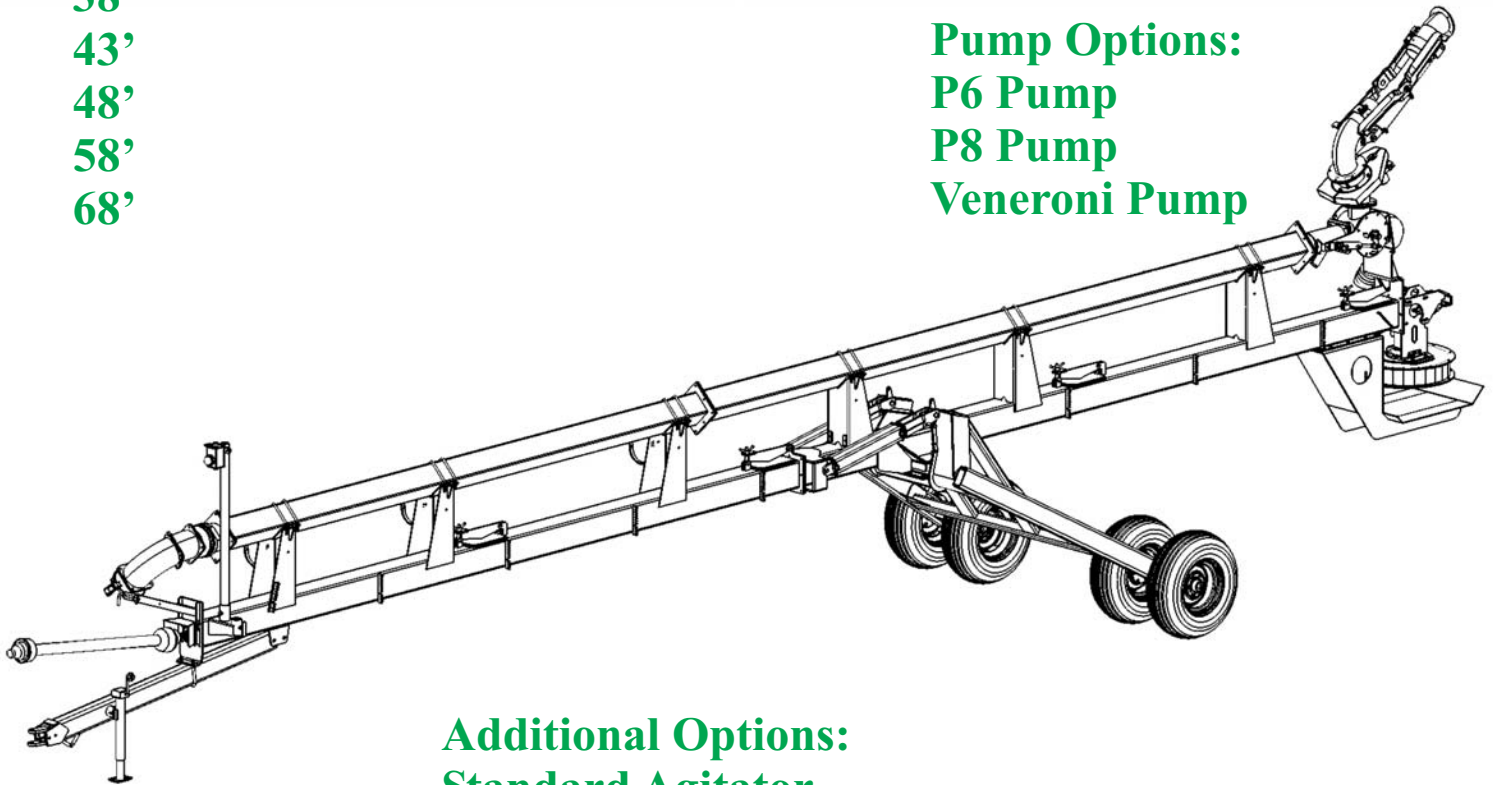
68'

Pump Options:

P6 Pump

P8 Pump

Veneroni Pump



Additional Options:

Standard Agitator

Commercial Agitator

Wall Climber Under Carriage

One Touch Control Hydraulics

Finger Tip Control Hydraulics



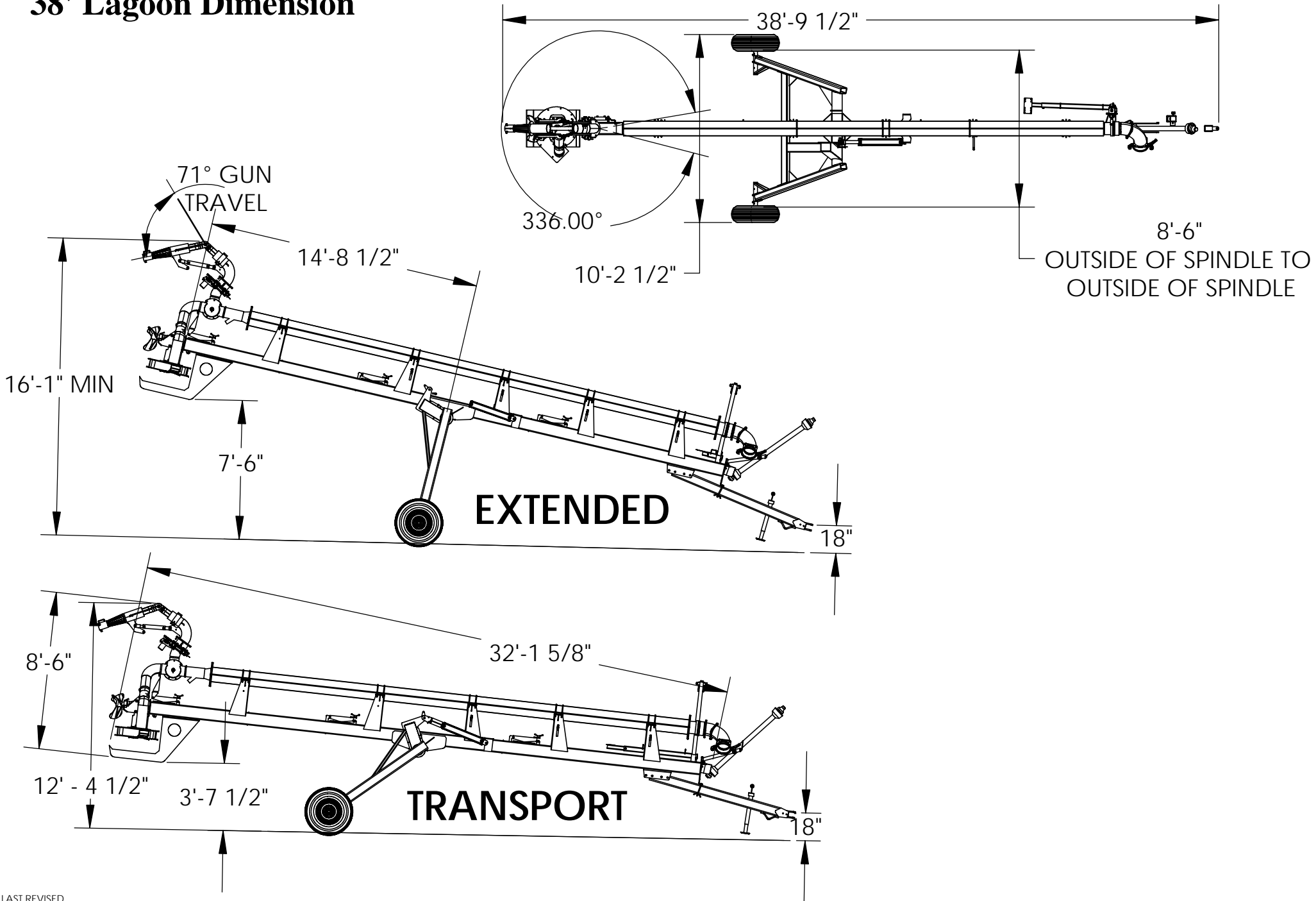
PARTS MANUAL

January 2009

English Edition

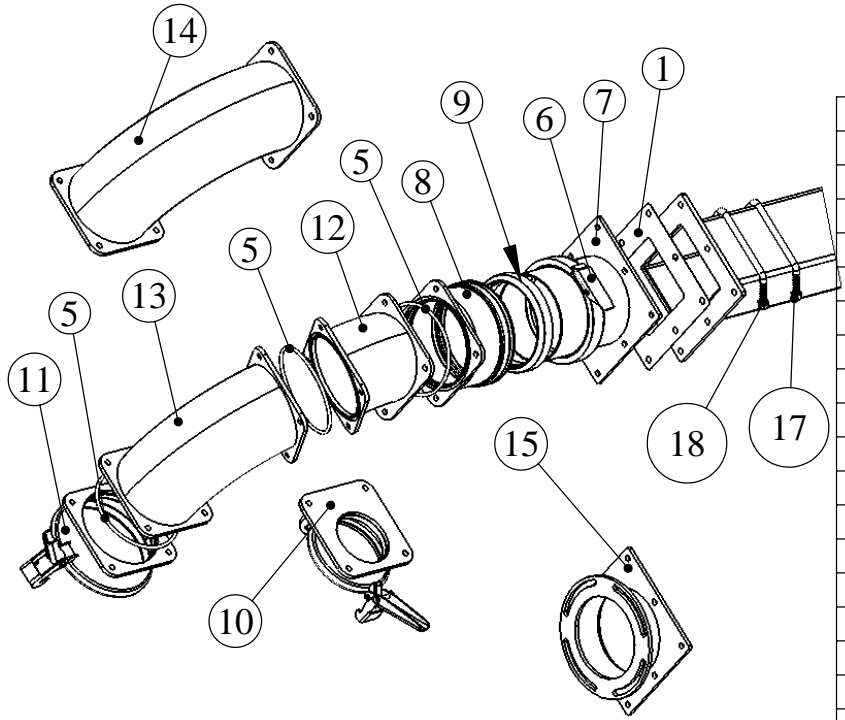
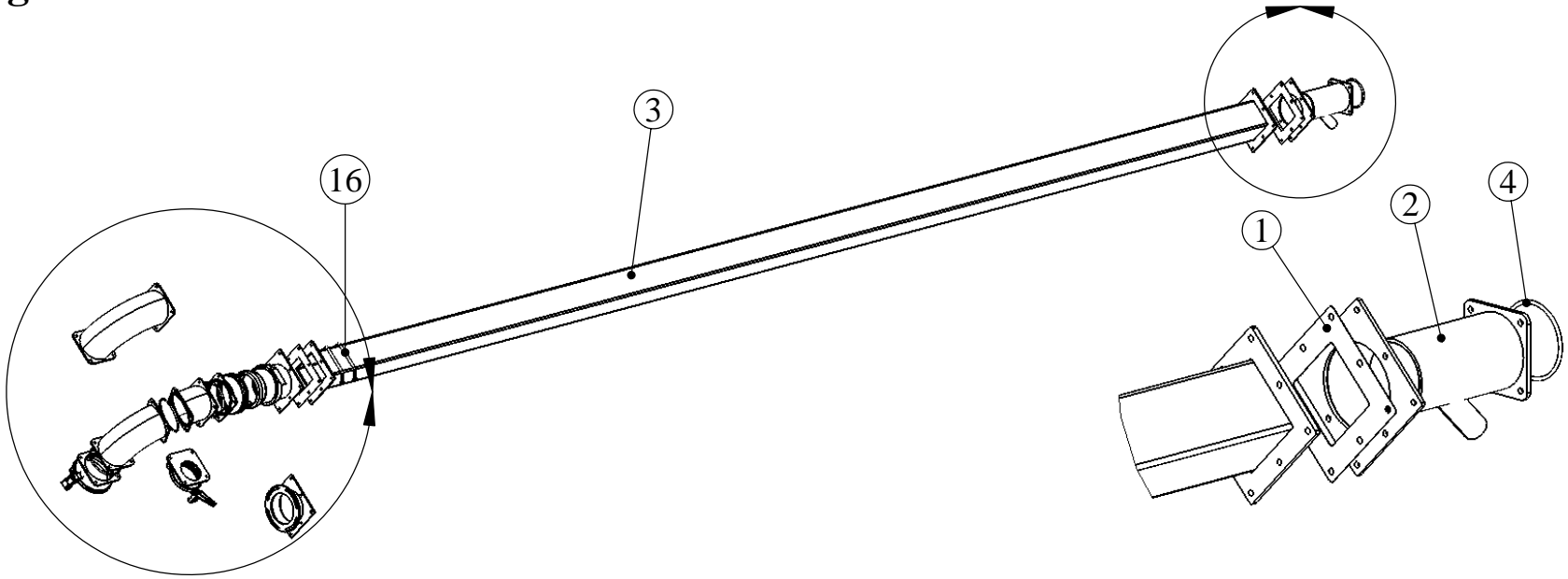
Parts

38' Lagoon Dimension



Parts

38' Lagoon Unload Tube

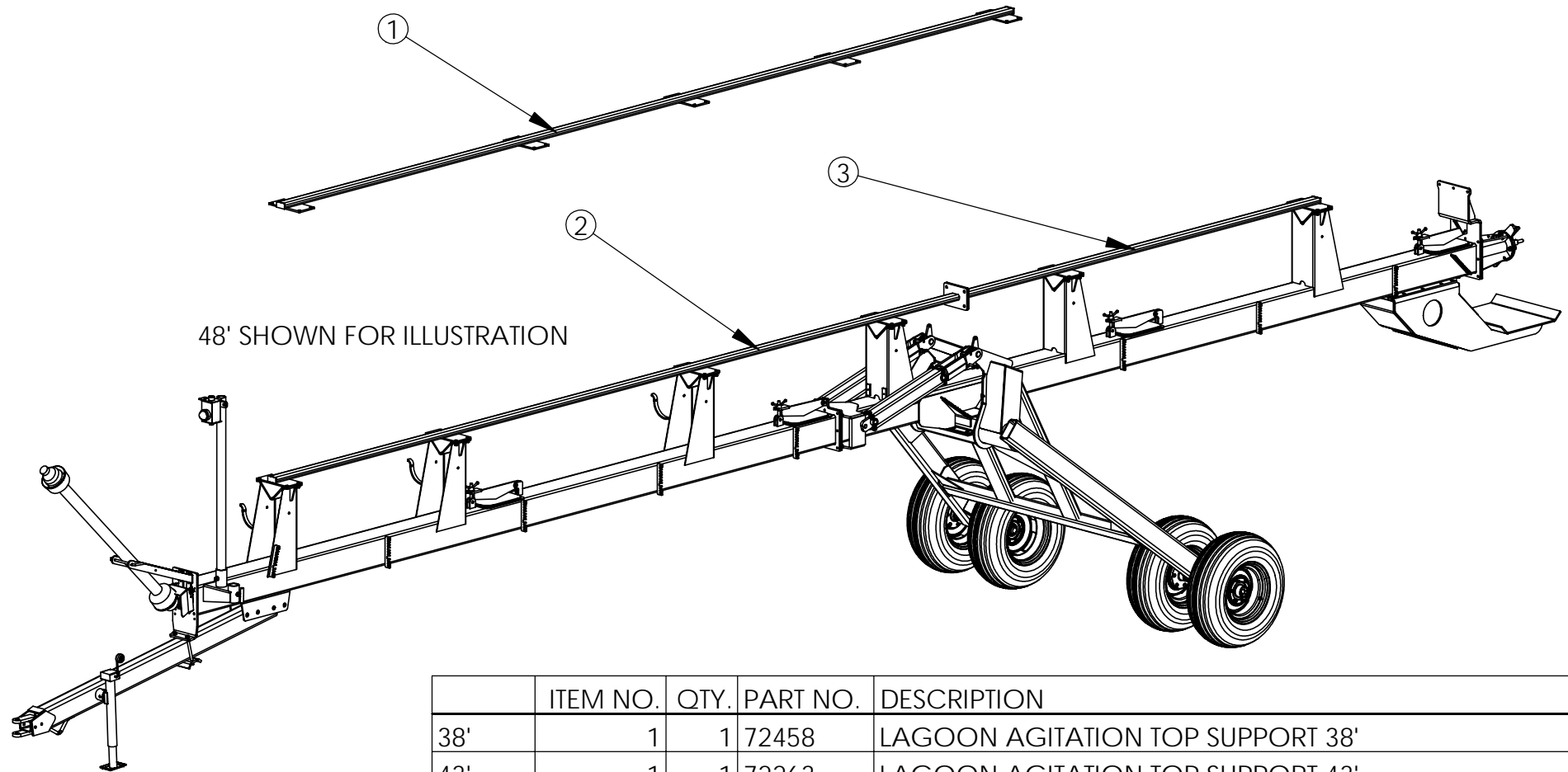


ITEM #	QTY.	PART #	DESCRIPTION
1	2	36012	GASKET 11" SQ X .03" TH W/ (8) .56"
2	1	72202	TRANSITION 4 BOLT TO 8 BOLT FLANGE.
3	1	72241	UNLOAD TUBE LAGOON 7"X7" X312 1/2"
4	1	15621	ORING 6.31"ID x6.87"OD x.28"TH -6" FLANGE VALVE
5	3	16604	ORING 8.00"ID x8.50"OD x.25"TH
6	1	31990	IRIG RINGLOCK CLAMP 8"
7	1	72233	IRIG 8" MALE-11" SQ. FLANGE
8	1	83139	CAP WELDMENT V8 PUMP
9	1	31989	O RING, 8" TUBE SWIVEL (GHEEN)
10	1	26241	FTG 6" CPLR BALL 2HKFM x05.01BC04BH
11	1	40480	FTG 8" CPLR BALL 2HKFM x05.01BC04BH
12	1	72235	ELBOW 8" 4 BOLT - 4 BOLT 25 DEG
13	1	72236	ELBOW 8" 4 BOLT GSKT-4 BOLT ORG 65 DEG.
14	1	72246	ELBOW 8" 4 BOLT GSKT-4 BOLT ORG 90 DEG.
15	1	72228	FTG 05.01BC04BHX04.75BPX08BHX02.50LG-SLOT HOLE
16	10	72212	U-BOLT-1/2" COURSE THD-ZINC PLATED GRD-5
17	20	1704	1/2" HEX NUT
18	20	1638	LOCK WASHER .50"

LAST REVISED
Monday, August 25, 2008 1:33:01 PM
SAVED AS

Parts

Agitation Only

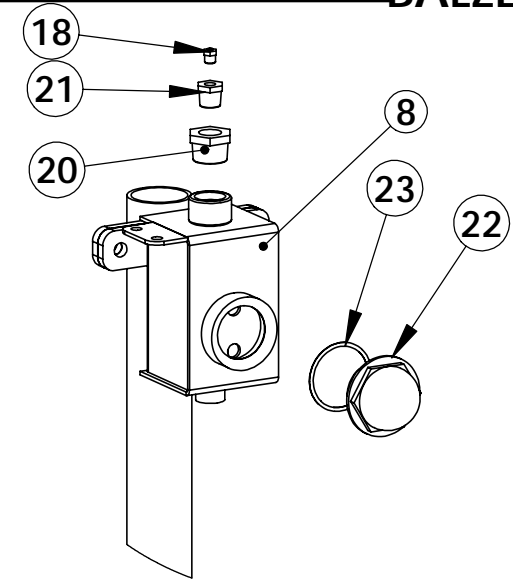
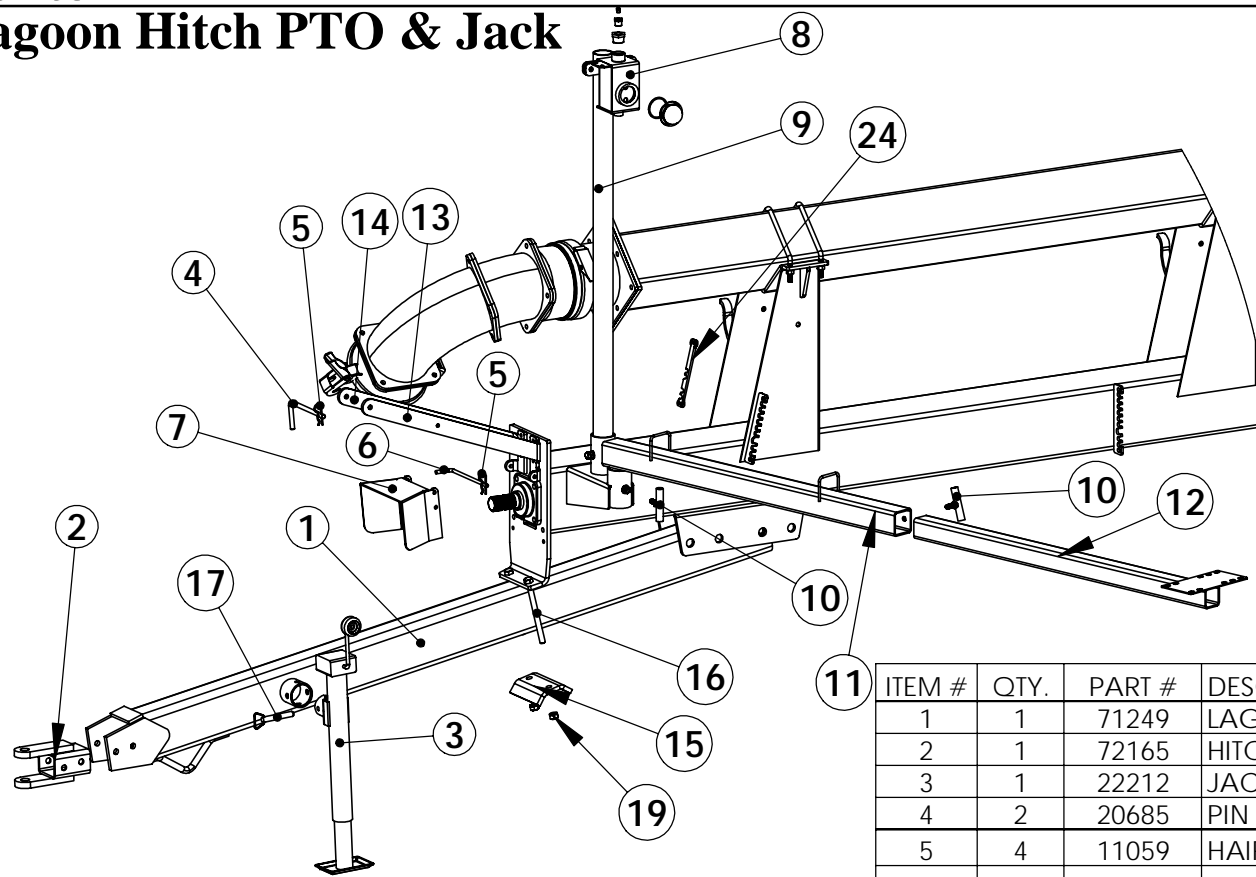


	ITEM NO.	QTY.	PART NO.	DESCRIPTION
38'	1	1	72458	LAGOON AGITATION TOP SUPPORT 38'
43'	1	1	72263	LAGOON AGITATION TOP SUPPORT 43'
48'	2	1	72482	LAGOON AGITATION TOP SUPPORT FRONT 48' & 58'
48'	3	1	72264	LAGOON AGITATION TOP SUPPORT REAR 48'
58'	2	1	72482	LAGOON AGITATION TOP SUPPORT FRONT 48' & 58'
58'	3	1	72483	LAGOON AGITATION TOP SUPPORT REAR 58'

Parts

Lagoon Hitch PTO & Jack

BALZER_{INC}



ITEM #	QTY.	PART #	DESCRIPTION
1	1	71249	LAGOON TONGUE
2	1	72165	HITCH REMOVEABLE HYBRED
3	1	22212	JACK
4	2	20685	PIN 1/2" DIA. X 6.88" WORKING
5	4	11059	HAIR PIN 0.14" DIA x 2.68" LG
6	1	83079	PIN .37" DIA x 7 9/16" WORKING
7	1	36933	SHIELD PTO - SLURRY / LAG
8	1	81548	OIL RESEVOIR W/ BRACKET
9	1	36132	OIL RESERVOIR TOWER LAGOON
10	2	81632	T BOLT 1/2-13
11	1	20729	HYDRAULIC CONTROL
12	1	72138	HYD VALVE SUPPORT 1 THRU 5 BANK
13	1	72252	PTO HANGER BOLT ON WITH PTO SHIELD TAB LH
14	1	72272	PTO HANGER BOLT ON WITH PTO SHIELD TAB RH
15	1	72470	TONGUE MOUNT PLATE LAGOON
16	2	1306	BOLT .62 x 8" UNC HEX HD.
17	1	90646	PIN & CHAIN .63x3 WORKING
18	1	13097	BREATHER .12"NPT BRASS, 5#PSI VENT
19	2	2546	NUT TOP LOCK .62" UNC
20	1	33286	REDUCER HEX 1.0MP x .50FP
21	1	13038	HYD REDUCER .50"NPTM x .12"NPTFM -(
22	1	4061	SIGHT GLASS 2" NPT
23	1	4062	ORING 2.30"ID x2.58"OD x.14"TH
24	9	84783	HOSE CLAMP .25" x 8.25"x .97"

LAST REVISED
Friday, October 24, 2008 11:00:37 AM
SAVED AS

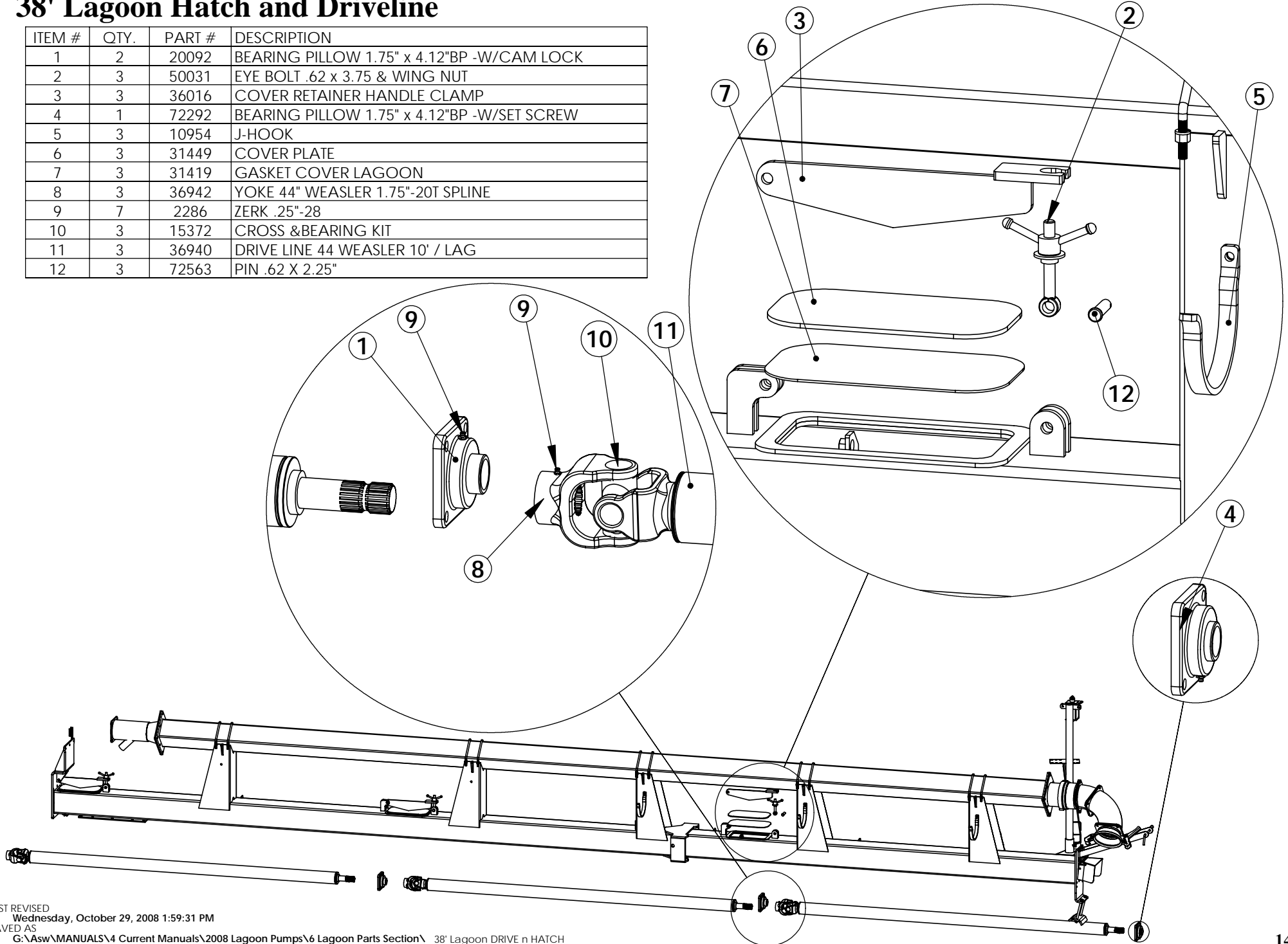
G:\Asw\MANUALS\4 Current Manuals\2008 Lagoon Pumps\6 Lagoon Parts Section\ Hitch PTO Jack

Parts

38' Lagoon Hatch and Driveline

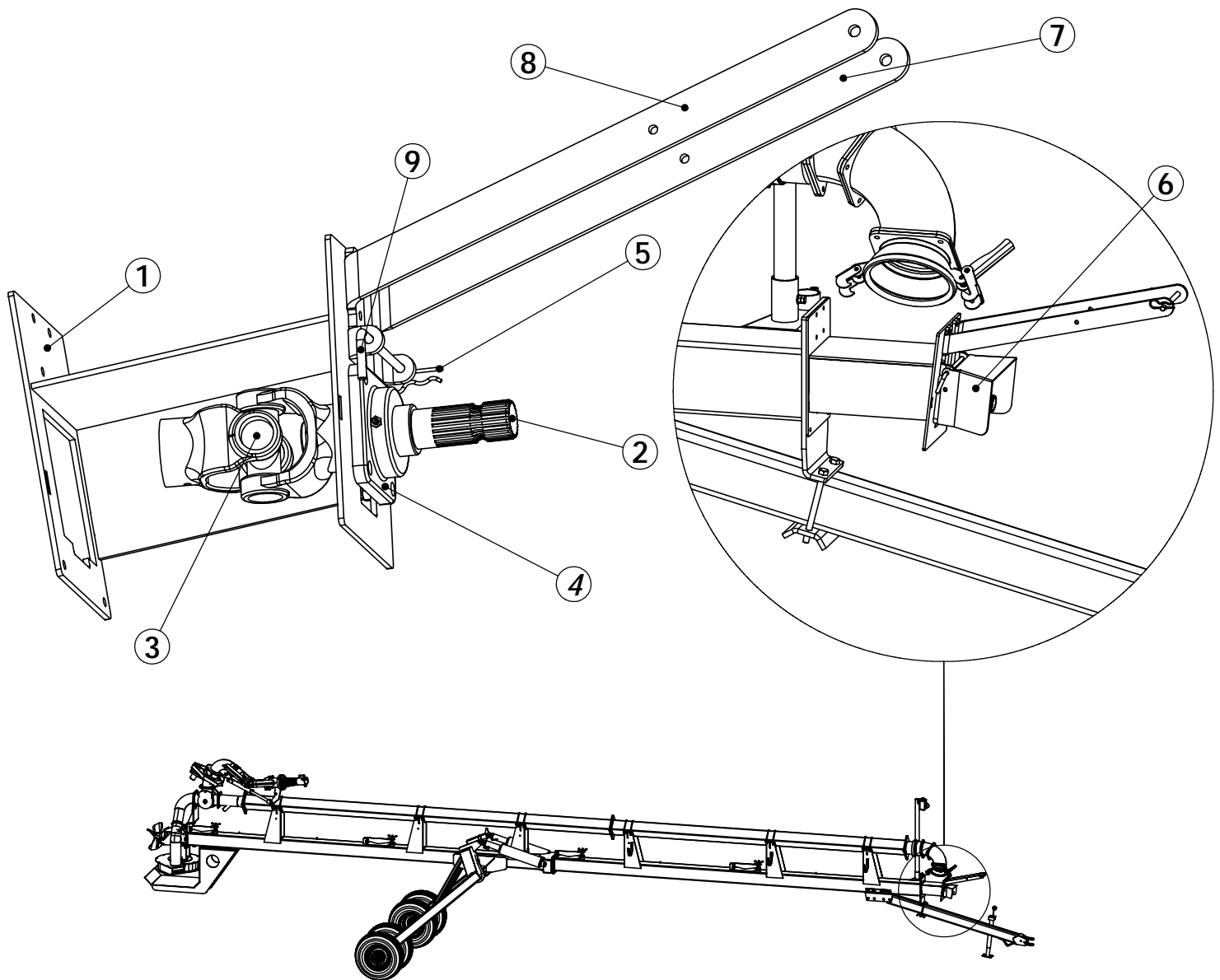
BALZER^{INC}

ITEM #	QTY.	PART #	DESCRIPTION
1	2	20092	BEARING PILLOW 1.75" x 4.12"BP -W/CAM LOCK
2	3	50031	EYE BOLT .62 x 3.75 & WING NUT
3	3	36016	COVER RETAINER HANDLE CLAMP
4	1	72292	BEARING PILLOW 1.75" x 4.12"BP -W/SET SCREW
5	3	10954	J-HOOK
6	3	31449	COVER PLATE
7	3	31419	GASKET COVER LAGOON
8	3	36942	YOKE 44" WEASLER 1.75"-20T SPLINE
9	7	2286	ZERK .25"-28
10	3	15372	CROSS & BEARING KIT
11	3	36940	DRIVE LINE 44 WEASLER 10' / LAG
12	3	72563	PIN .62 X 2.25"

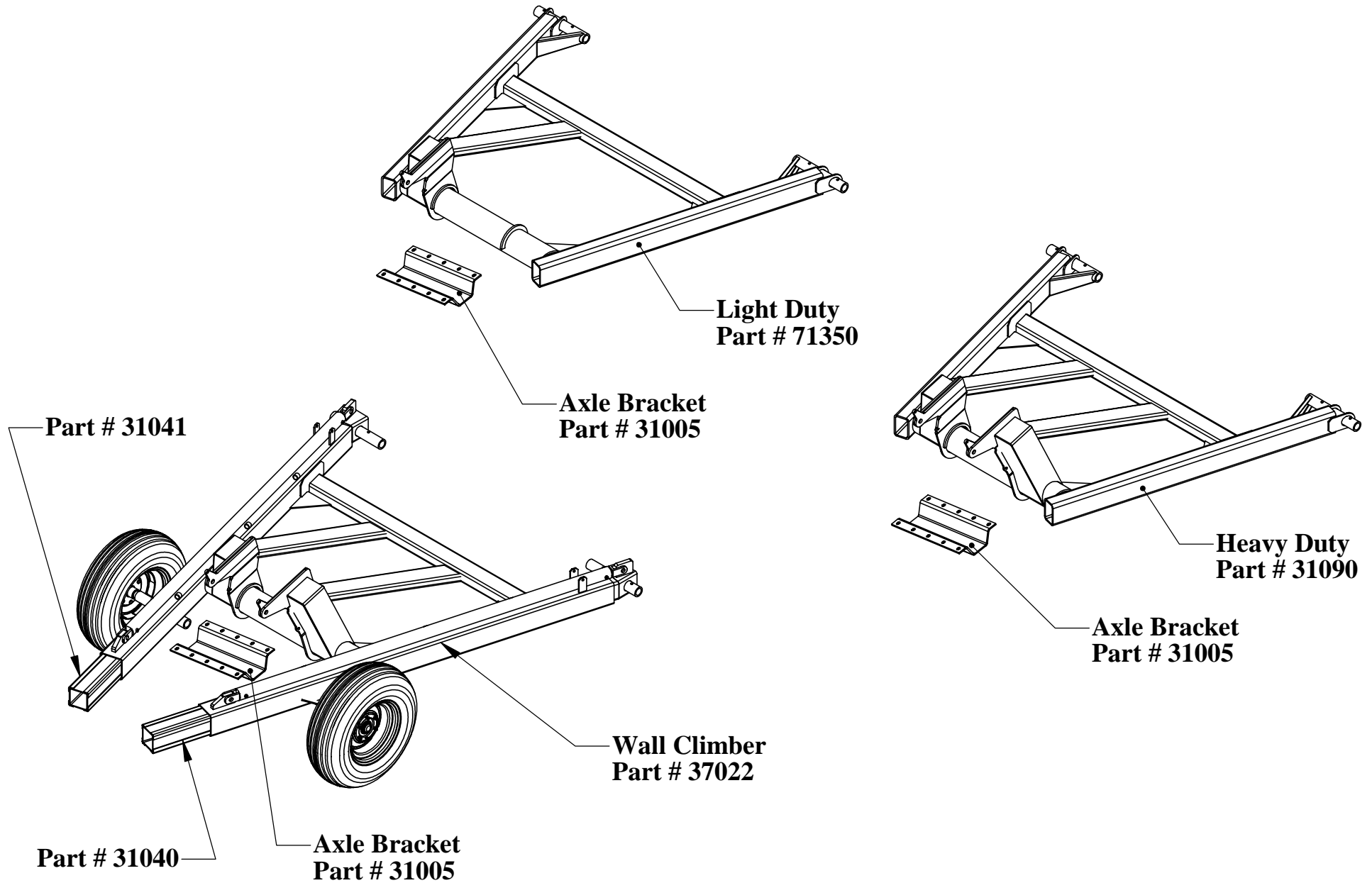


Lagoon Jack Shaft

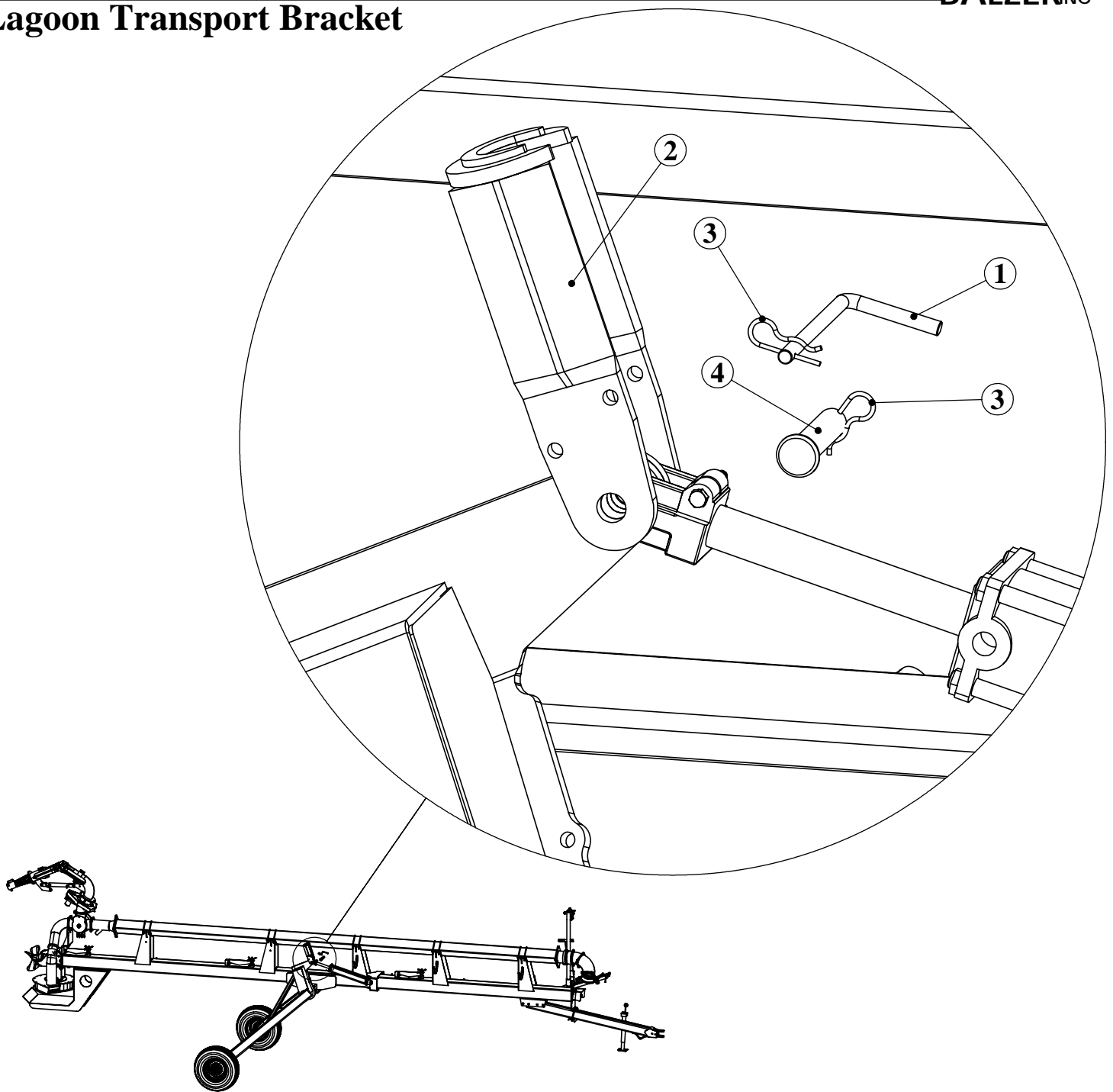
ITEM #	QTY.	PART #	DESCRIPTION
1	1	72476	TRANSITION 7 DEG BOLT ON
2	1	72465	1 3/4" - 20 SPLINE- KEY WAY x 9.5" LONG
3	1	36357	U JOINT 1 3/4" w/3/8" KEYWAY
4	1	20092	BEARING PILLOW 1.75" x 4.12"BP -W/CAM LOCK
5	1	11059	HAIR PIN 0.14" DIA x 2.68" LG
6	1	36933	SHIELD PTO - SLURRY / LAG
7	1	72252	PTO HANGER BOLT ON WITH PTO SHIELD TAB LH
8	1	72272	PTO HANGER BOLT ON WITH PTO SHIELD TAB RH
9	1	83079	PIN .37" DIA x 7 9/16" WORKING



Lagoon Undercarriage Options



Lagoon Transport Bracket

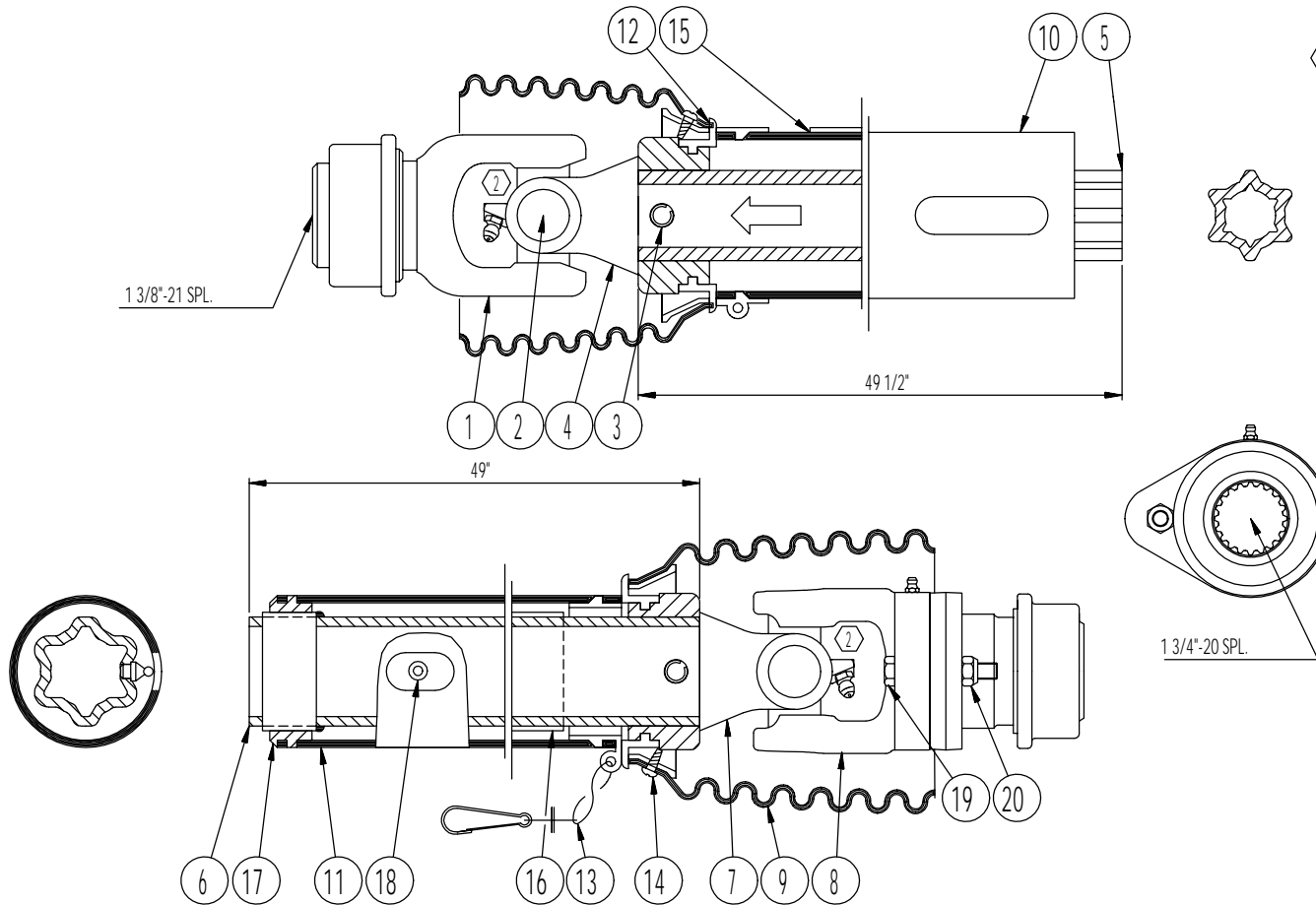


ITEM #	QTY.	PART #	DESCRIPTION
1	2	20685	PIN 1/2" DIA. X 6.88" WORKING
2	1	36945	TRANSPORT BRKT LAGOON/FAC
3	4	11059	HAIR PIN 0.14" DIA x 2.68" LG
4	1	20943	PIN1.0 x 4.25" USED - HARDENED

Parts

BALZER^{INC}

PTO 1 3/8" - 1000RPM Shearbolt Clutch Part # 37499WAL



BILL OF MATERIALS			
Item #	QTY.	Part #	Description
1	1	17479	YOKE 1 3/8"-21 SPL AS
2	2	52017	CROSS & BEARING KIT
3	2	17158	SPRING PIN 10 X 90
4	1	17159	INBOARD YOKE S4
5	1	52018	INNER PROFILE S4LGA
6	1	52019	PROFILE & SLEEVE W.A.
7	1	17162	INBOARD YOKE S5
8	1	52020	SHEARBOLT CLUTCH
9	2	17163	SHIELD CONE 7 RIB
10	1	52021	OUTER SHIELD TUBE OV A.L.
11	1	52022	INNER SHIELD TUBE ROUND
12	2	16814	BEARING RING SC25
13	1	16815	SAFETY CHAIN
14	2	16818	SCREW-IN ITEM 9
15	1	16816	DECAL OUTER-IN ITEM 10
16	1	16817	DECAL INNER-IN ITEM 6
17	1	17171	SUPPORT BEARING
18	1	16820	ZERK-IN ITEM 6
19	1	17178	BOLT M10X60L-IN ITEM 8
20	1	17179	LOCKNUT M10-IN ITEM 8
	1	17172	AS COL KIT-IN ITEM 1
	1	17173	AS COL KIT-IN ITEM 8

② NON-STANDARD ZERK LOCATION.

① EXTENDED LUBE (P-SEAL) CROSS & BEARING KIT.

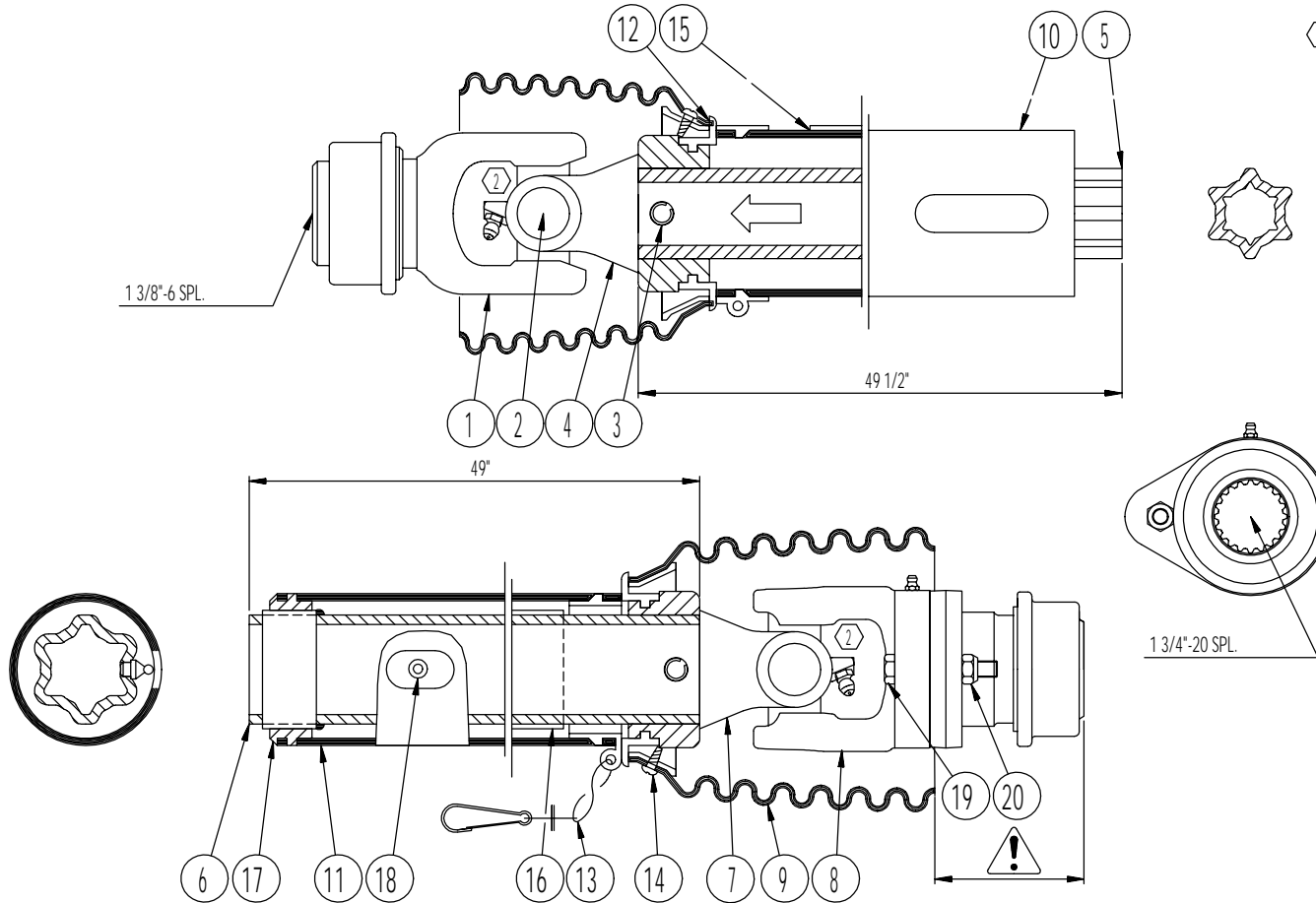
LAST REVISED

SAVED AS
G:\Asw\MANUALS\5 Manual Extras\PTO Pages\ Parts 37499WAL

Parts

PTO 1 3/8" - 540RPM Shearbolt Clutch

Part # 37517WAL



BILL OF MATERIALS			
Item #	QTY.	Part #	Description
1	1	17491	YOKE 1 3/8"-6 SPL AS
2	2	52017	CROSS & BEARING KIT
3	2	17158	SPRING PIN 10 X 90
4	1	17159	INBOARD YOKE S4
5	1	52018	INNER PROFILE S4LGA
6	1	52019	PROFILE & SLEEVE W.A.
7	1	17162	INBOARD YOKE S5
8	1	52020	SHEARBOLT CLUTCH
9	2	17163	SHIELD CONE 7 RIB
10	1	52021	OUTER SHIELD TUBE OVAL.
11	1	52022	INNER SHIELD TUBE ROUND
12	2	16814	BEARING RING SC25
13	1	16815	SAFETY CHAIN
14	2	16818	SCREW-IN ITEM 9
15	1	16816	DECAL OUTER-IN ITEM 10
16	1	16817	DECAL INNER-IN ITEM 6
17	1	17171	SUPPORT BEARING
18	1	16820	ZERK-IN ITEM 6
19	1	17178	BOLT M10X60L-IN ITEM 8
20	1	17179	LOCKNUT M10-IN ITEM 8
	1	17172	AS COL KIT-IN ITEM 1
	1	17173	AS COL KIT-IN ITEM 8

② NON-STANDARD ZERK LOCATION.

① EXTENDED LUBE (P-SEAL) CROSS & BEARING KIT.

LAST REVISED

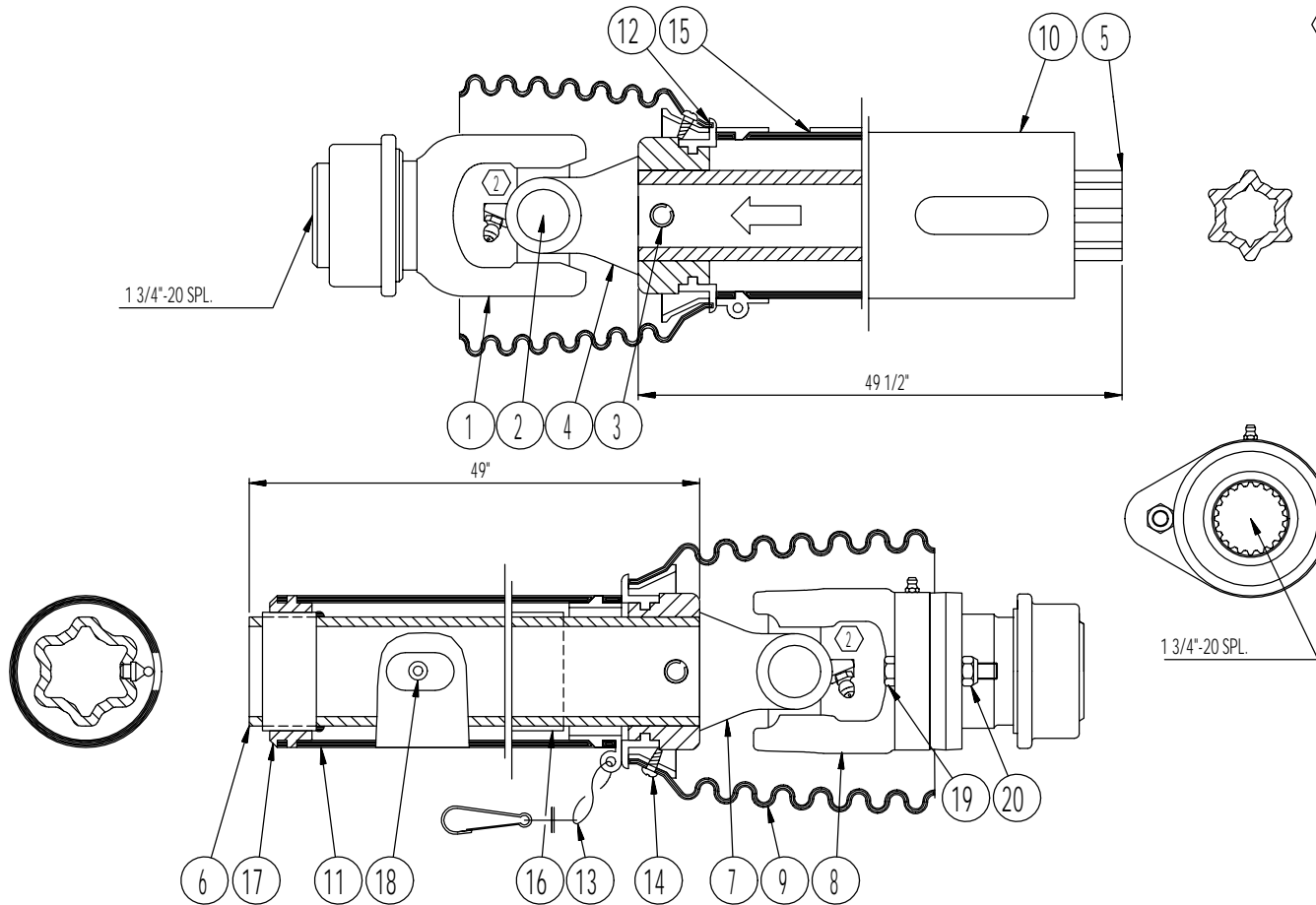
SAVED AS G:\Asw\MANUALS\5 Manual Extras\PTO Pages\Parts 37517WAL

Parts

BALZER^{INC}

PTO 1 3/4" - 1000RPM Shearbolt Clutch

Part # 37519WAL



BILL OF MATERIALS			
Item #	QTY.	Part #	Description
1	1	17200	YOKE 1 3/4"-20 SPL AS
2	2	52017	CROSS & BEARING KIT
3	2	17158	SPRING PIN 10 X 90
4	1	17159	INBOARD YOKE S4
5	1	52018	INNER PROFILE S4LGA
6	1	52019	PROFILE & SLEEVE W.A.
7	1	17162	INBOARD YOKE S5
8	1	52020	SHEARBOLT CLUTCH
9	2	17163	SHIELD CONE 7 RIB
10	1	52021	OUTER SHIELD TUBE OVAL.
11	1	52022	INNER SHIELD TUBE ROUND
12	2	16814	BEARING RING SC25
13	1	16815	SAFETY CHAIN
14	2	16818	SCREW-IN ITEM 9
15	1	16816	DECAL OUTER-IN ITEM 10
16	1	16817	DECAL INNER-IN ITEM 6
17	1	17171	SUPPORT BEARING
18	1	16820	ZERK-IN ITEM 6
19	1	17178	BOLT M10X60L-IN ITEM 8
20	1	17179	LOCKNUT M10-IN ITEM 8
	2	17173	AS COL KIT-IN ITEM 8

② NON-STANDARD ZERK LOCATION.

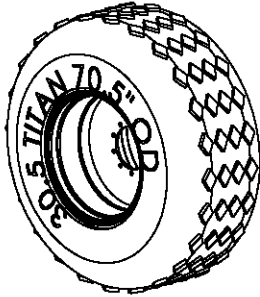
① EXTENDED LUBE (P-SEAL) CROSS & BEARING KIT.

LAST REVISED

SAVED AS G:\Asw\MANUALS\5 Manual Extras\PTO Pages\ Parts 37519WAL

TIRE ASSEMBLIES

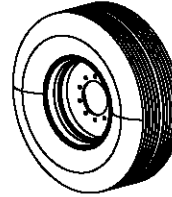
DIAMOND R3



LUG R1



RIBBED



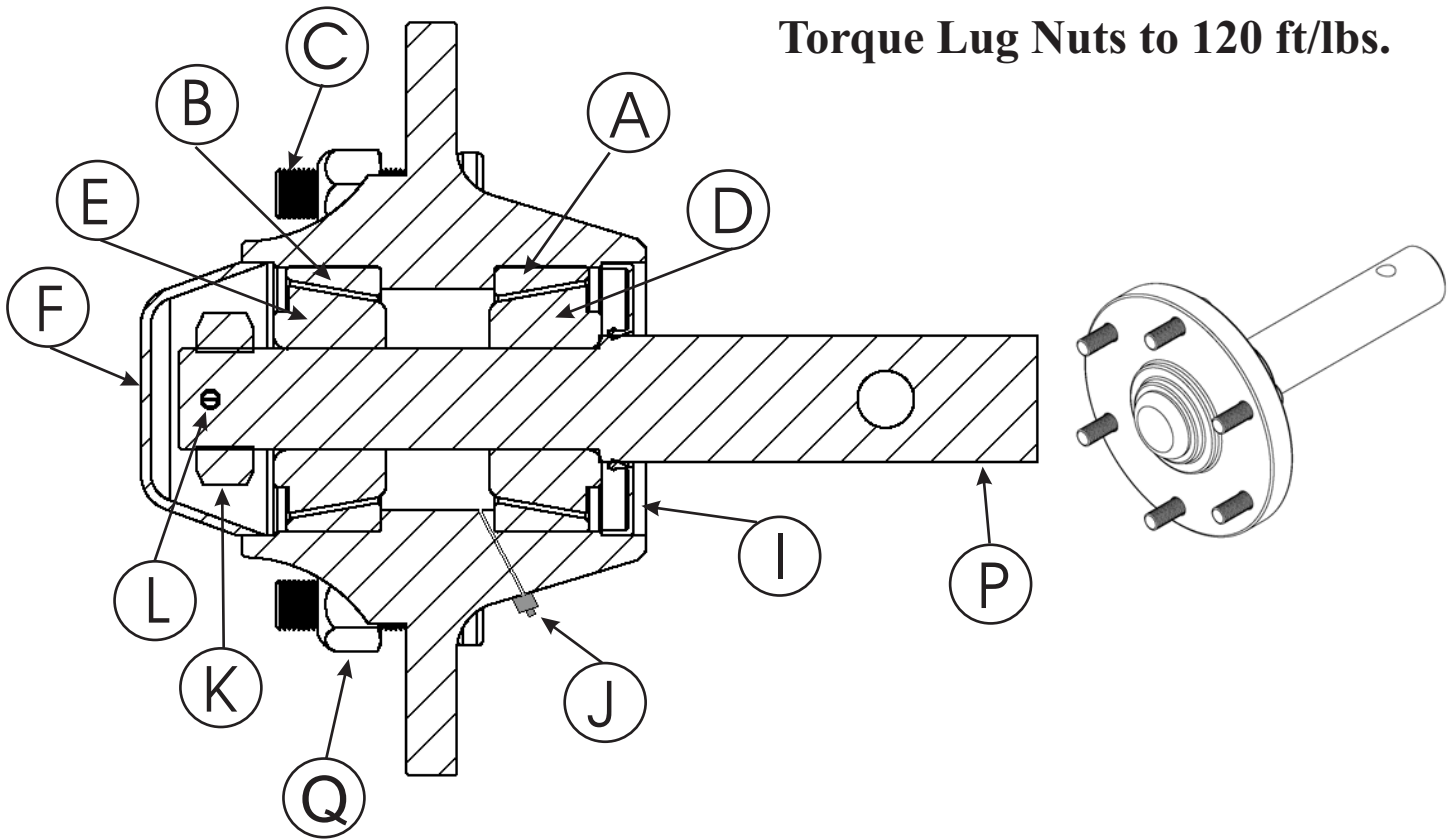
TIRE/ RIM	TIRE / RIM #	TIRE #	RIM #	TIRE PRESSURE
12 X3 RIBBED	18076			
18.5 - 4 BOLT - 5.50"BC	17511	17512	17513	
20.5 x 8 - 5 BOLT - 4.50"BC	26737	26733	26734	
P205/75R15 - 5 BOLT - 6.00"BC	31530		31529	
14 x 7.5 - 6 BOLT	27889			
11L x 15 - 8 PLY - 6 BOLT	31006			
9.5L x 15 - 8 PLY - 6 BOLT	65670		65671	
15 x 22.5 SUPER RIGR - 8 BOLT - 8.00" BC	62061	92390	92391	
15 x 22.5 SUPER RIGR - 10 BOLT - 11.25" BC	65561	92390	65562	
18.4 x 26 R3 - 10 BOLT - 11.25" BC	20283	20284	20285	23
18.4 x 26 R3 - 10 BOLT - 13.19" BC	28205	20284	27676	23
21.5 x 16.1 RIBBED - 8 BOLT - 8.00" BC - 18.00" WHEEL	26633	11472	26634	32
21.5 x 16.1 RIBBED - 10 BOLT - 11.25" BC - 18.00" WHEEL	90128	31432	90129	32
23.1 x 26 R3 - 10 BOLT - 11.25"BC	18531	16515	16516	32
23.1 x 26 R3 - 10 BOLT - 13.19"BC	28796	16515	28797	32
28L x 26 R3 - 10 BOLT - 11.25"BC	17610	17611	17612	26
28L x 26 R3 - 10 BOLT - 13.19"BC	28386	17611	28387	26
28LR26 R3 - 10 BOLT - 13.19"BC	91882	92639	28387	54
30.5 x 32 R1 - 10 BOLT -13.19"BC	91340	91341	27385	33
30.5 x 32 R3 - 10 BOLT -13.19"BC	27674	22692	27385	33
30.5LR32 R1 - 10 BOLT -13.19"BC	91586	94587	27385	52
30.5LR32 R3 - 10 BOLT -13.19"BC	92640	92641	27385	52
445/65 R22.5 L1 8 BOLT - 8.00"BC	83780	91889	20033	
445/65 R22.5 L1 10 BOLT - 11.25"BC	14246	91889	91884	
445/65 R22.5 L1 10 BOLT - 13.19"BC	92880	91889	92881	
600/50 22.5 - 8 BOLT - 8.00"BC	91777	25551	91888	38
600/50 22.5 - 10 BOLT - 11.25"BC	25550	25551	25552	38
850/50 30.5 - 10 BOLT - 11.25"BC	29978	40977	29999	37
850/50 30.5 - 10 BOLT - 11.25"BC - 8 PLY	91128	91129	29999	37
850/50 30.5 - 10 BOLT - 13.19"BC - 10 PLY	40976	40977	40978	37
900/60 32 R1 - 10 BOLT - 13.25"BC - 0" OFFSET	91900	91901	27385	35

Parts



HUB AND SPINDLE 1.75" 6 BOLT 6" BOLT CIRCLE

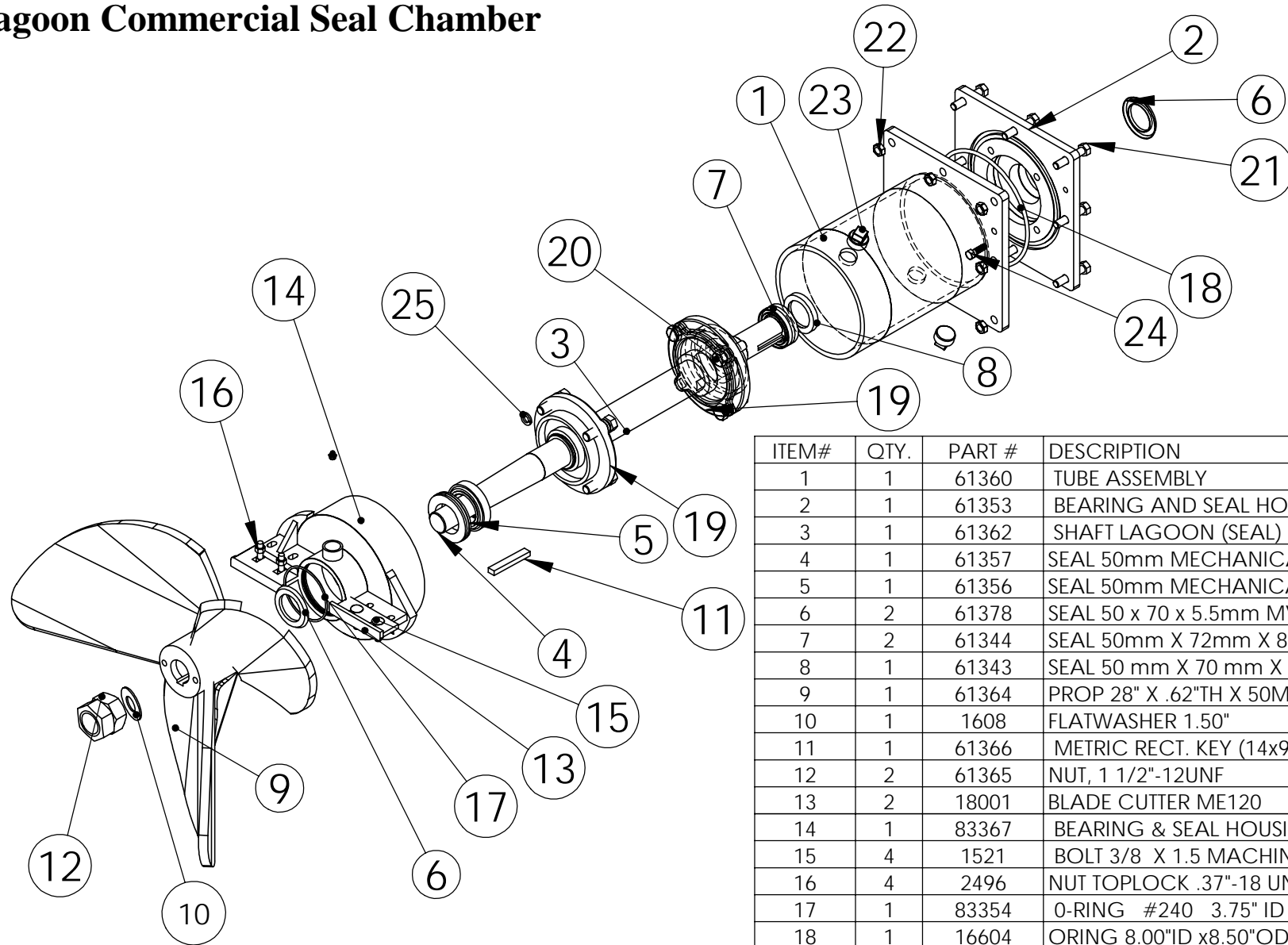
Torque Lug Nuts to 120 ft/lbs.



	DESCRIPTION	6 BOLT 1.75"
	HUB & SPINDLE	18240
	HUB W/CUPS & STUDS	12441
	COMPLETE SPINDLE ASSY	18241
A	INNER TAPPER BEARING CUP	6574
B	OUTER TAPPER BEARING CUP	6663
C	STUDS OR BOLTS	50700
D	INNER TAPPER BEARING CONE	6573
E	OUTER TAPPER BEARING CONE	6665
F	HUB CAP	6666
G	HUB CAP GASKET	N/A
H	HUB CAP BOLTS	N/A
I	SEAL	6572
J	GREASE ZERK	2286
K	CASTLE NUT	1754
L	COTTER PIN / ROLL PIN	2045
M	FLAT WASHER	6672
P	SPINDLE	N/A
Q	LUG NUT	2605

Parts

Lagoon Commercial Seal Chamber

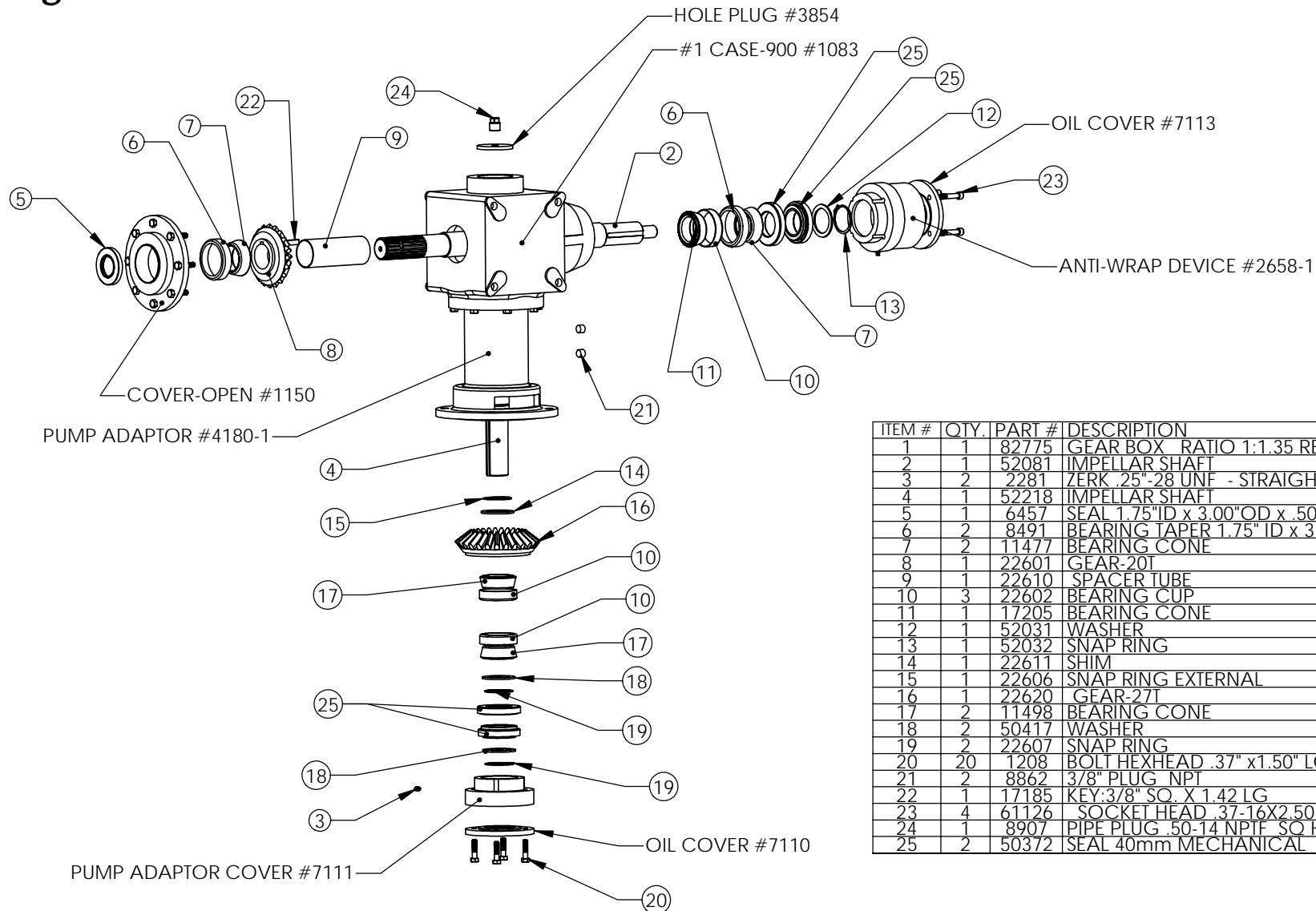


ITEM#	QTY.	PART #	DESCRIPTION
1	1	61360	TUBE ASSEMBLY
2	1	61353	BEARING AND SEAL HOUSING
3	1	61362	SHAFT LAGOON (SEAL)
4	1	61357	SEAL 50mm MECHANICAL FIXED
5	1	61356	SEAL 50mm MECHANICAL ROTATING
6	2	61378	SEAL 50 x 70 x 5.5mm MVR1-50
7	2	61344	SEAL 50mm X 72mm X 8mm 19646
8	1	61343	SEAL 50 mm X 70 mm X 10mm 19634
9	1	61364	PROP 28" X .62"TH X 50MM TAPER HUB
10	1	1608	FLATWASHER 1.50"
11	1	61366	METRIC RECT. KEY (14x9x85) 92288A255
12	2	61365	NUT, 1 1/2"-12UNF
13	2	18001	BLADE CUTTER ME120
14	1	83367	BEARING & SEAL HOUSING W/CUTTER
15	4	1521	BOLT 3/8 X 1.5 MACHINE
16	4	2496	NUT TOPLOCK .37"-18 UNC
17	1	83354	O-RING #240 3.75" ID x .125" CS
18	1	16604	ORING 8.00"ID x8.50"OD x.25"TH
19	2	61342	BEARING 4-BOLT 2.18 PILOTED
20	8	1274	BOLT 9/16 x 2" HEX HEAD GR5
21	8	1254	BOLT .5 x 2.5 HEX HEAD
22	8	2539	NUT TOPLOCK .50"-20 UNC
23	2	81808	PIPE PLUG 1.0" NPT SQ HD
24	2	83532	3/8 x 16 x 1.25" SERRATED (FASTENAL 19707)
25	8	1639	LOCK WASHER .56

Parts

Lagoon P6 & P8 Gearbox

BALZER_{INC}



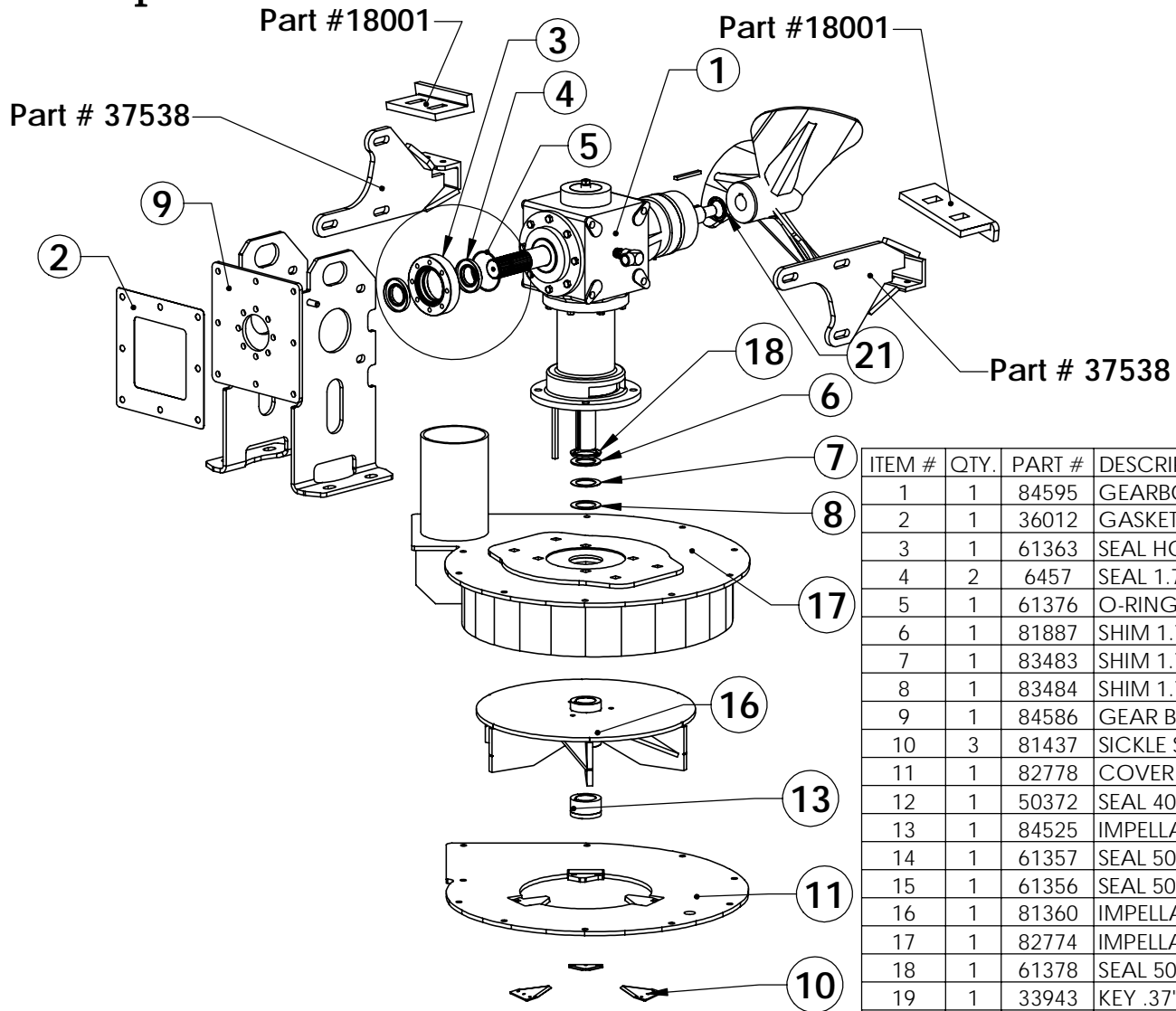
ITEM #	QTY	PART #	DESCRIPTION
1	1	82775	GEAR BOX - RATIO 1:1.35 REDUCTION
2	1	52081	IMPELLAR SHAFT
3	2	2281	ZERK .25"-28 UNF - STRAIGHT
4	1	52218	IMPELLAR SHAFT
5	1	6457	SEAL 1.75"ID x 3.00"OD x .50"WIDE -BUNA
6	2	8491	BEARING TAPER 1.75" ID x 3.27" OD x .93" WD -CUP
7	2	11477	BEARING CONE
8	1	22601	GEAR-20T
9	1	22610	SPACER TUBE
10	3	22602	BEARING CUP
11	1	17205	BEARING CONE
12	1	52031	WASHER
13	1	52032	SNAP RING
14	1	22611	SHIM
15	1	22606	SNAP RING EXTERNAL
16	1	22620	GEAR-27T
17	2	11498	BEARING CONE
18	2	50417	WASHER
19	2	22607	SNAP RING
20	20	1208	BOLT HEXHEAD .37" x1.50" LG
21	2	8862	3/8" PLUG NPT
22	1	17185	KEY-3/8" SQ. X 1.42 LG
23	4	61126	SOCKET HEAD .37-16X2.50
24	1	8907	PIPE PLUG .50-14 NPTF SQ HD (5406-SHP)
25	2	50372	SEAL 40mm MECHANICAL ASSY

LAST REVISED
Monday, December 08, 2008 9:12:20 AM

SAVED AS
G:\Asw\MANUALS\4 Current Manuals\2008 Lagoon Pumps\6 Lagoon Parts Section\84595 P6 P8 Gearbox

Parts

Lagoon P6 Pump



ITEM #	QTY.	PART #	DESCRIPTION
1	1	84595	GEARBOX RATIO 1.35:1 REDUCTION
2	1	36012	GASKET 11" SQ X .03" TH W/ (8) .56"
3	1	61363	SEAL HOLDER LAGOON PUMP
4	2	6457	SEAL 1.75"ID x 3.00"OD x .50"WIDE -BUNA
5	1	61376	O-RING 3 1/2" DIA x 1/8" THICK
6	1	81887	SHIM 1.781" ID X 2.625" OD X 10 GA TH
7	1	83483	SHIM 1.781" ID x 2.625" OD X 16 GA TH
8	1	83484	SHIM 1.781" ID X2.625" OD X 14GA TH
9	1	84586	GEAR BOX MOUNT P6/P8
10	3	81437	SICKLE SECTION
11	1	82778	COVER PLATE WELDMENT P6 LAG
12	1	50372	SEAL 40mm MECHANICAL ASSY
13	1	84525	IMPELLAR CAP WELDMENT - 1/2"
14	1	61357	SEAL 50mm MECHANICAL FIXED
15	1	61356	SEAL 50mm MECHANICAL ROTATING
16	1	81360	IMPELLAR WELDMENT 20"
17	1	82774	IMPELLAR HOUSING WELDMENT P6
18	1	61378	SEAL 50 x 70 x 5.5mm AFS
19	1	33943	KEY .37" x .37" x 4.75" LG
20	1	2396	KEY .25" x .37" x 3.00" LG
21	1	17054	SEAL 40 x 57 x 4.5mm AFS
22	1	84552	LAGOON PUMP TRANSITION P6
23	1	84749	LAGOON PUMP TRANSITION LOWER 6"
24	1	82820	LAGOON PUMP SKID TALL

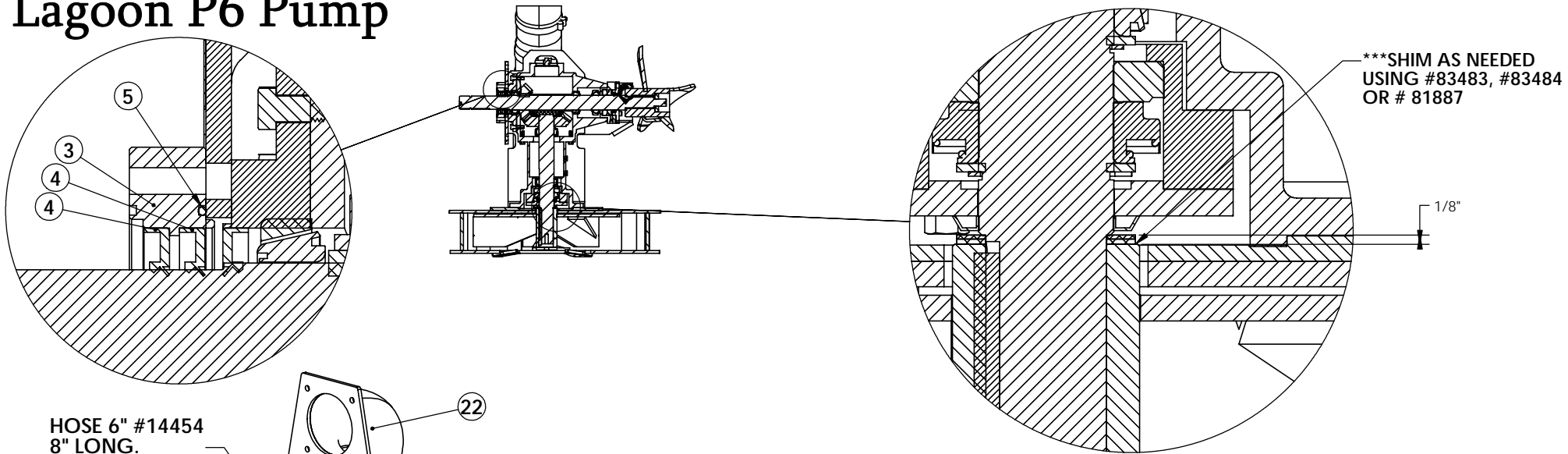
LAST REVISED
Friday, December 19, 2008 8:34:52 AM

SAVED AS
G:\Asw\MANUALS\4 Current Manuals\2008 Lagoon Pumps\6 Lagoon Parts Section\84590 P6 Pump

Parts

Lagoon P6 Pump

BALZER^{INC}

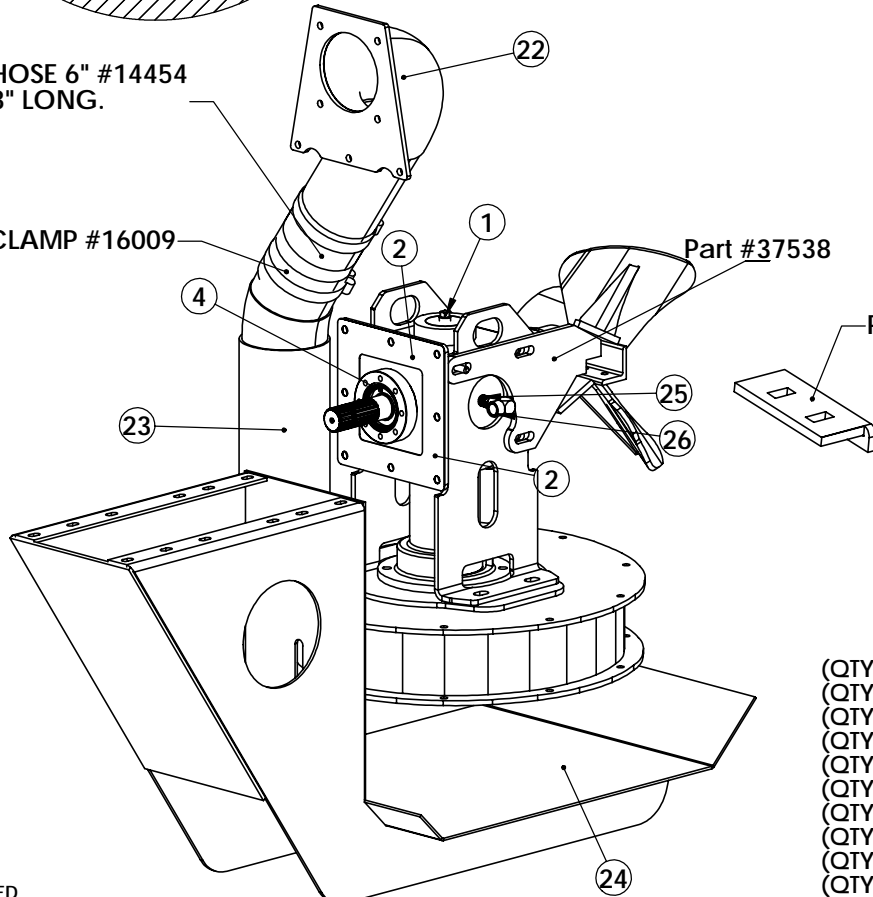


HOSE 6" #14454
8" LONG.

CLAMP #16009

Part #37538

Part #18001



- (QTY 8) #1290 BOLT 5/8 X 1 3/4"
- (QTY 8) #1640 LOCKWASHER 5/8"
- (QTY 12) #1602 FLATWASHER 5/8"
- (QTY 16) #2539 NUT 1/2" TOPLOCK
- (QTY 16) #1250 BOLT 1/2"X1 1/2"
- (QTY 8) #1600 WASHER 1/2"
- (QTY 4) #2546 NUT 5/8" TOPLOCK
- (QTY 4) #1122 BOLT 5/8" X 2" CARRIAGE
- (QTY 6) #1050 BOLT 3/8" X 1" CARRIAGE
- (QTY 6) #2496 NUT 3/8" TOPLOCK
- (QTY 2) #16009 CLAMP 6" 149- 161mm
- (QTY 8") #14454 HOSE 6" RED NILE LAY FLAT (CUT TO 8" LONG)

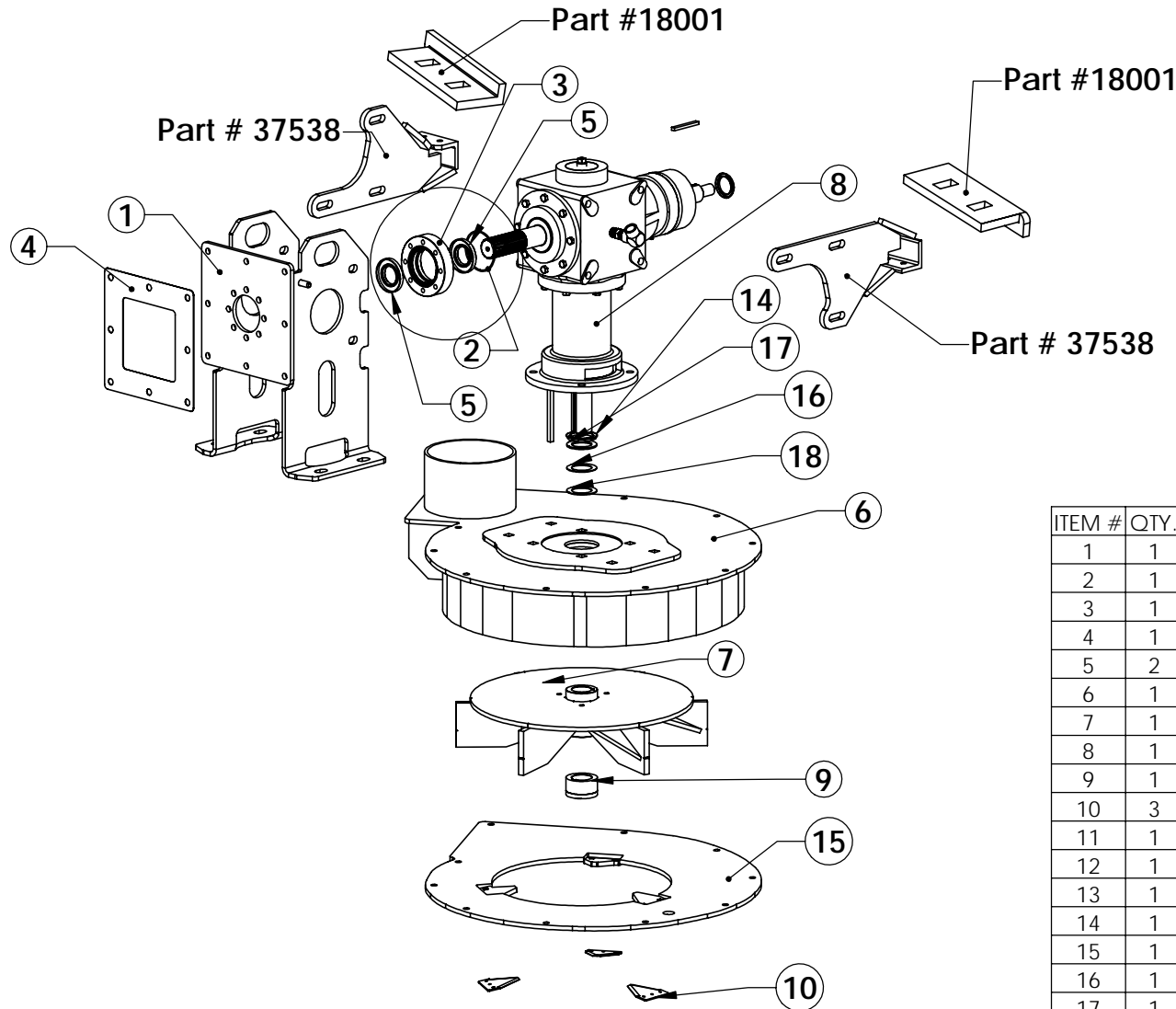
ITEM #	QTY.	PART #	DESCRIPTION
1	1	84595	GEARBOX RATIO 1.35:1 REDUCTION
2	1	36012	GASKET 11" SQ X .03" TH W/ (8) .56"
3	1	61363	SEAL HOLDER LAGOON PUMP
4	2	6457	SEAL 1.75"ID x 3.00"OD x .50"WIDE -BUNA
5	1	61376	O-RING 3 1/2" DIA x 1/8" THICK
6	1	81887	SHIM 1.781" ID X 2.625" OD X 10 GA TH
7	1	83483	SHIM 1.781" ID x 2.625" OD X 16 GA TH
8	1	83484	SHIM 1.781" ID X2.625" OD X 14GA TH
9	1	84586	GEAR BOX MOUNT P6/P8
10	3	81437	SICKLE SECTION
11	1	82778	COVER PLATE WELDMENT P6 LAG
12	1	50372	SEAL 40mm MECHANICAL ASSY
13	1	84525	IMPELLER CAP WELDMENT - 1/2"
14	1	61357	SEAL 50mm MECHANICAL FIXED
15	1	61356	SEAL 50mm MECHANICAL ROTATING
16	1	81360	IMPELLER WELDMENT 20"
17	1	82774	IMPELLER HOUSING WELDMENT P6
18	1	61378	SEAL 50 x 70 x 5.5mm AFS
19	1	33943	KEY .37" x .37" x 4.75" LG
20	1	2396	KEY .25" x .37" x 3.00" LG
21	1	17054	SEAL 40 x 57 x 4.5mm AFS
22	1	84552	LAGOON PUMP TRANSITION P6
23	1	84749	LAGOON PUMP TRANSITION LOWER 6"
24	1	82820	LAGOON PUMP SKID TALL
25	1	8604	HYD NIPPLE .50NPTMX .50NPTM (5405-6)
26	1	31746	HYD ELBOW .50NPTFMX .50NPTFM 90DEG (5504-8)

LAST REVISED
Tuesday, January 13, 2009 2:16:31 PM
SAVED AS

G:\Asw\MANUALS\4 Current Manuals\2008 Lagoon Pumps\6 Lagoon Parts Section\14590 P6 Pump

Parts

Lagoon P8 Pump



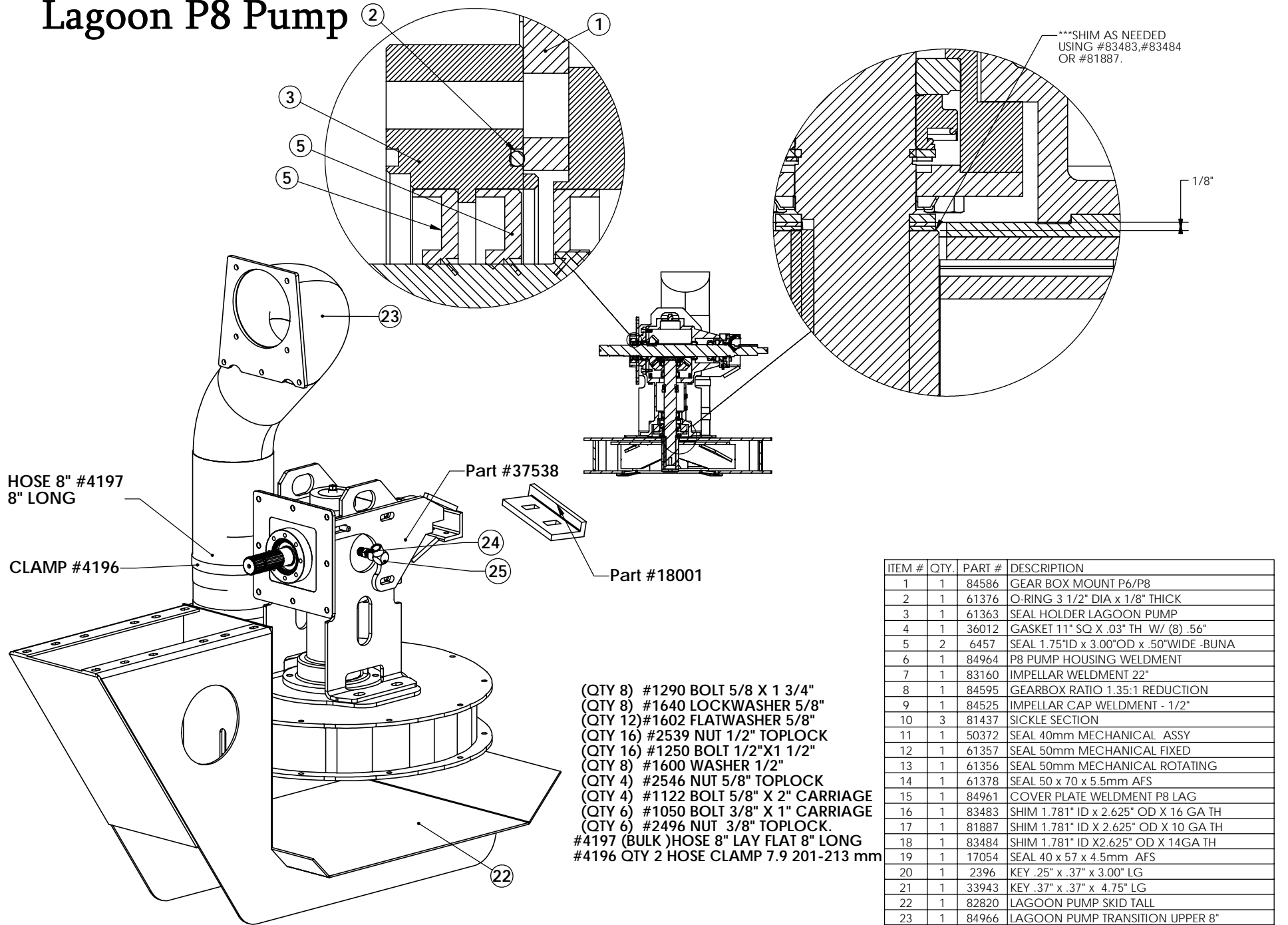
ITEM #	QTY.	PART #	DESCRIPTION
1	1	84586	GEAR BOX MOUNT P6/P8
2	1	61376	O-RING 3 1/2" DIA x 1/8" THICK
3	1	61363	SEAL HOLDER LAGOON PUMP
4	1	36012	GASKET 11" SQ X .03" TH W/ (8) .56"
5	2	6457	SEAL 1.75"ID x 3.00"OD x .50"WIDE -BUNA
6	1	84964	P8 PUMP HOUSING WELDMENT
7	1	83160	IMPELLAR WELDMENT 22"
8	1	84595	GEARBOX RATIO 1.35:1 REDUCTION
9	1	84525	IMPELLAR CAP WELDMENT - 1/2"
10	3	81437	SICKLE SECTION
11	1	50372	SEAL 40mm MECHANICAL ASSY
12	1	61357	SEAL 50mm MECHANICAL FIXED
13	1	61356	SEAL 50mm MECHANICAL ROTATING
14	1	61378	SEAL 50 x 70 x 5.5mm AFS
15	1	84961	COVER PLATE WELDMENT P8 LAG
16	1	83483	SHIM 1.781" ID x 2.625" OD X 16 GA TH
17	1	81887	SHIM 1.781" ID X 2.625" OD X 10 GA TH
18	1	83484	SHIM 1.781" ID X 2.625" OD X 14GA TH
19	1	17054	SEAL 40 x 57 x 4.5mm AFS
20	1	2396	KEY .25" x .37" x 3.00" LG
21	1	33943	KEY .37" x .37" x 4.75" LG

LAST REVISED
Thursday, December 18, 2008 7:22:25 AM

SAVED AS
G:\Asw\MANUALS\4 Current Manuals\2008 Lagoon Pumps\6 Lagoon Parts Section\84960 P8 Pump

Parts

Lagoon P8 Pump



HOSE 8" #4197
8" LONG

CLAMP #4196

Part #37538

Part #18001

- (QTY 8) #1290 BOLT 5/8 X 1 3/4"
- (QTY 8) #1640 LOCKWASHER 5/8"
- (QTY 12) #1602 FLATWASHER 5/8"
- (QTY 16) #2539 NUT 1/2" TOPLOCK
- (QTY 16) #1250 BOLT 1/2" X 1 1/2"
- (QTY 8) #1600 WASHER 1/2"
- (QTY 4) #2546 NUT 5/8" TOPLOCK
- (QTY 4) #1122 BOLT 5/8" X 2" CARRIAGE
- (QTY 6) #1050 BOLT 3/8" X 1" CARRIAGE
- (QTY 6) #2496 NUT 3/8" TOPLOCK.
- #4197 (BULK)HOSE 8" LAY FLAT 8" LONG
- #4196 QTY 2 HOSE CLAMP 7.9 201-213 mm

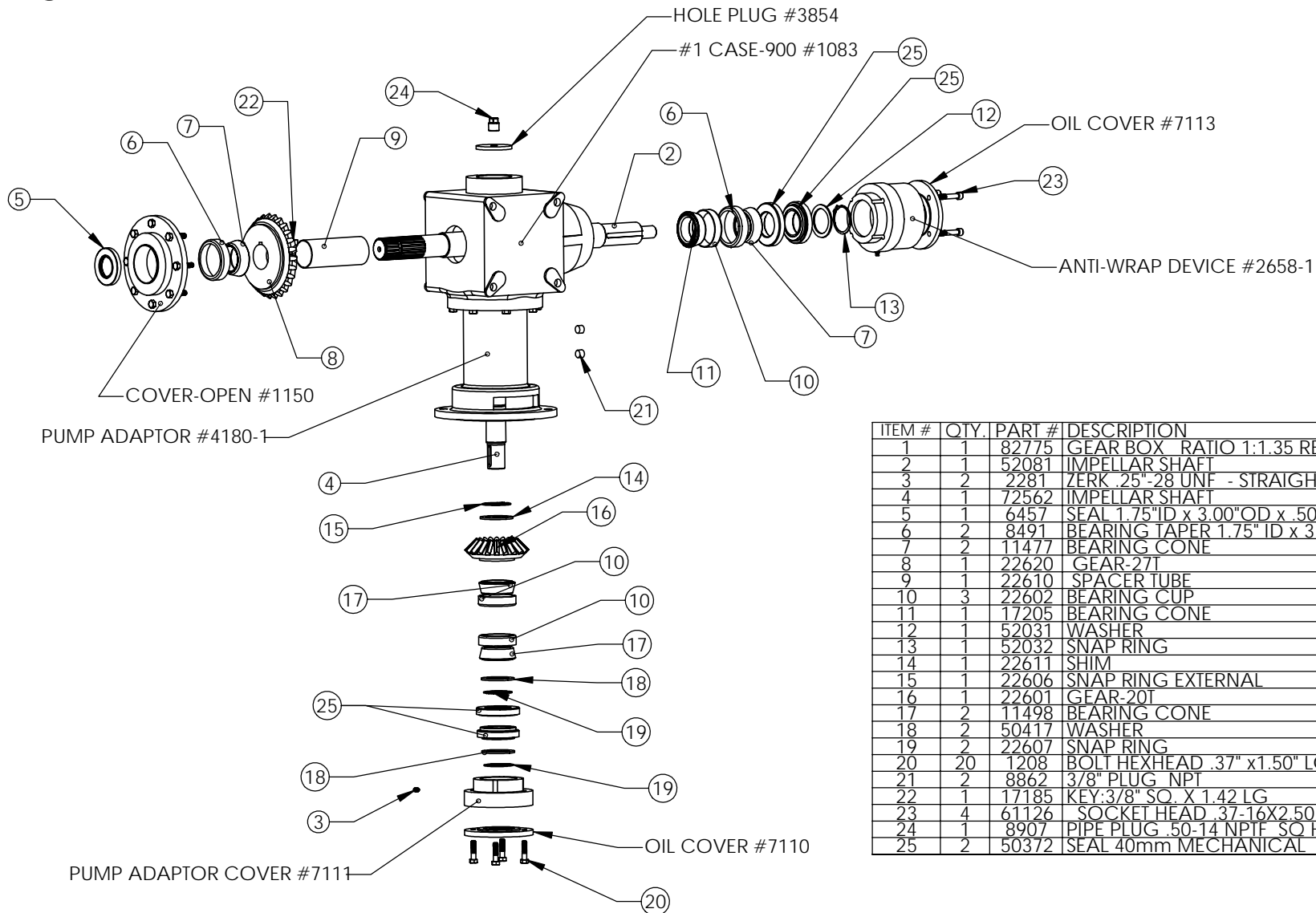
ITEM #	QTY.	PART #	DESCRIPTION
1	1	84586	GEAR BOX MOUNT P6/P8
2	1	61376	O-RING 3 1/2" DIA x 1/8" THICK
3	1	61363	SEAL HOLDER LAGOON PUMP
4	1	36012	GASKET 11" SQ X .03" TH W/ (8) .56"
5	2	6457	SEAL 1.75"ID x 3.00"OD x .50"WIDE -BUNA
6	1	84964	P8 PUMP HOUSING WELDMENT
7	1	83160	IMPELLAR WELDMENT 22"
8	1	84595	GEARBOX RATIO 1.35:1 REDUCTION
9	1	84525	IMPELLAR CAP WELDMENT - 1/2"
10	3	81437	SICKLE SECTION
11	1	50372	SEAL 40mm MECHANICAL ASSY
12	1	61357	SEAL 50mm MECHANICAL FIXED
13	1	61356	SEAL 50mm MECHANICAL ROTATING
14	1	61378	SEAL 50 x 70 x 5.5mm AFS
15	1	84961	COVER PLATE WELDMENT P8 LAG
16	1	83483	SHIM 1.781" ID x 2.625" OD X 16 GA TH
17	1	81887	SHIM 1.781" ID X 2.625" OD X 10 GA TH
18	1	83484	SHIM 1.781" ID X2.625" OD X 14GA TH
19	1	17054	SEAL 40 x 57 x 4.5mm AFS
20	1	2396	KEY .25" x .37" x 3.00" LG
21	1	33943	KEY .37" x .37" x 4.75" LG
22	1	82820	LAGOON PUMP SKID TALL
23	1	84966	LAGOON PUMP TRANSITION UPPER 8"
24	1	8604	HYD NIPPLE .50NPTMX .50NPTM (5405-6)
25	1	31746	HYD ELBOW .50NPTFMX .50NPTFM 90DEG (5504-8)

LAST REVISED
Thursday, December 18, 2008 7:22:25 AM
SAVED AS

G:\Asw\MANUALS\4 Current Manuals\2008 Lagoon Pumps\6 Lagoon Parts Section\4960 P8 Pump

Parts

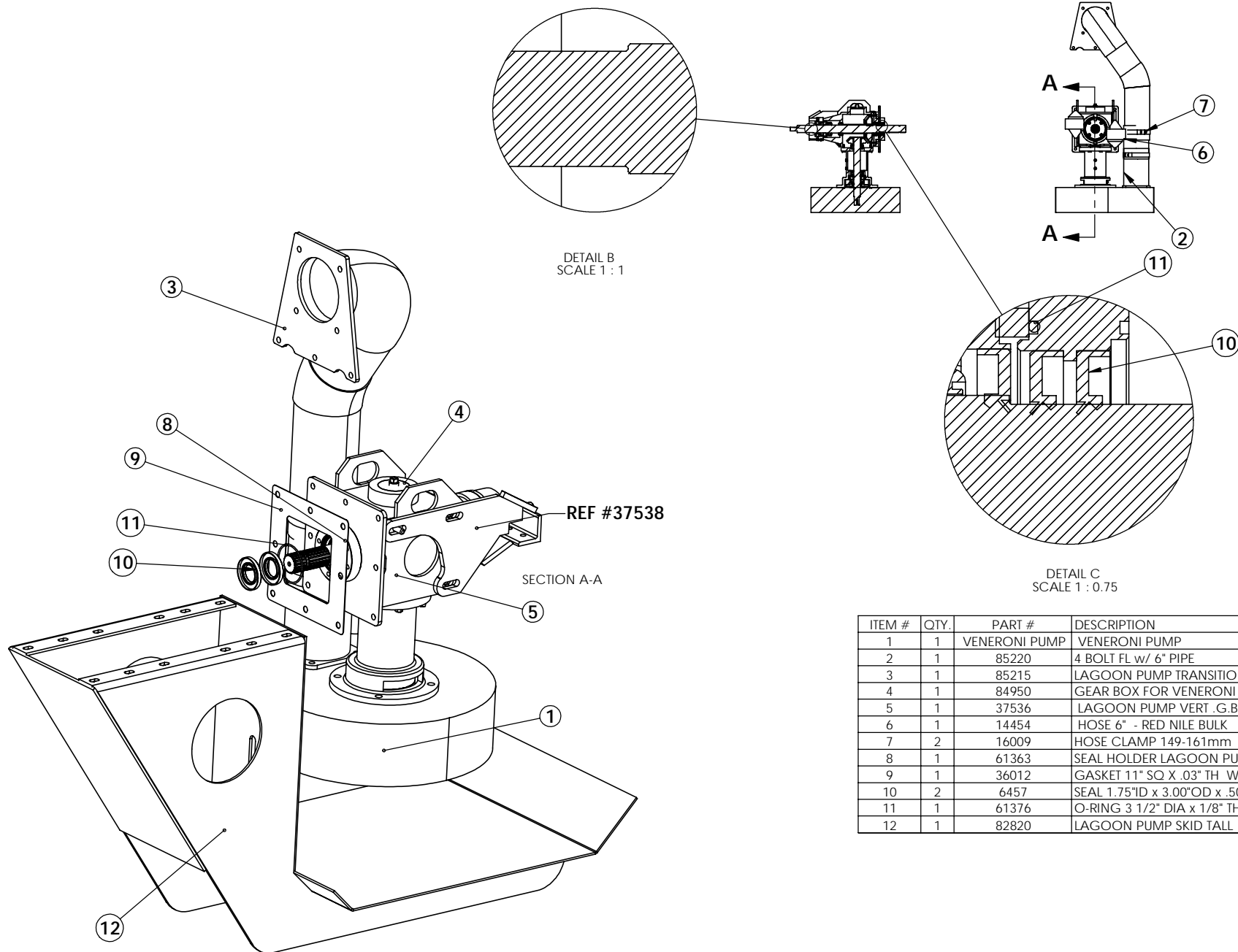
Lagoon Veneroni Gearbox



ITEM #	QTY.	PART #	DESCRIPTION
1	1	82775	GEAR BOX RATIO 1:1.35 REDUCTION
2	1	52081	IMPELLAR SHAFT
3	2	2281	ZERK .25"-28 UNF - STRAIGHT
4	1	72562	IMPELLAR SHAFT
5	1	6457	SEAL 1.75"ID x 3.00"OD x .50"WIDE -BUNA
6	2	8491	BEARING TAPER 1.75" ID x 3.27" OD x .93" WD -CUP
7	2	11477	BEARING CONE
8	1	22620	GEAR-27T
9	1	22610	SPACER TUBE
10	3	22602	BEARING CUP
11	1	17205	BEARING CONE
12	1	52031	WASHER
13	1	52032	SNAP RING
14	1	22611	SHIM
15	1	22606	SNAP RING EXTERNAL
16	1	22601	GEAR-20T
17	2	11498	BEARING CONE
18	2	50417	WASHER
19	2	22607	SNAP RING
20	20	1208	BOLT HEXHEAD .37" x1.50" LG
21	2	8862	3/8" PLUG NPT
22	1	17185	KEY-3/8" SQ. X 1.42 LG
23	4	61126	SOCKET HEAD .37-16X2.50
24	1	8907	PIPE PLUG .50-14 NPTF SQ HD (5406-SHP)
25	2	50372	SEAL 40mm MECHANICAL ASSY

Parts

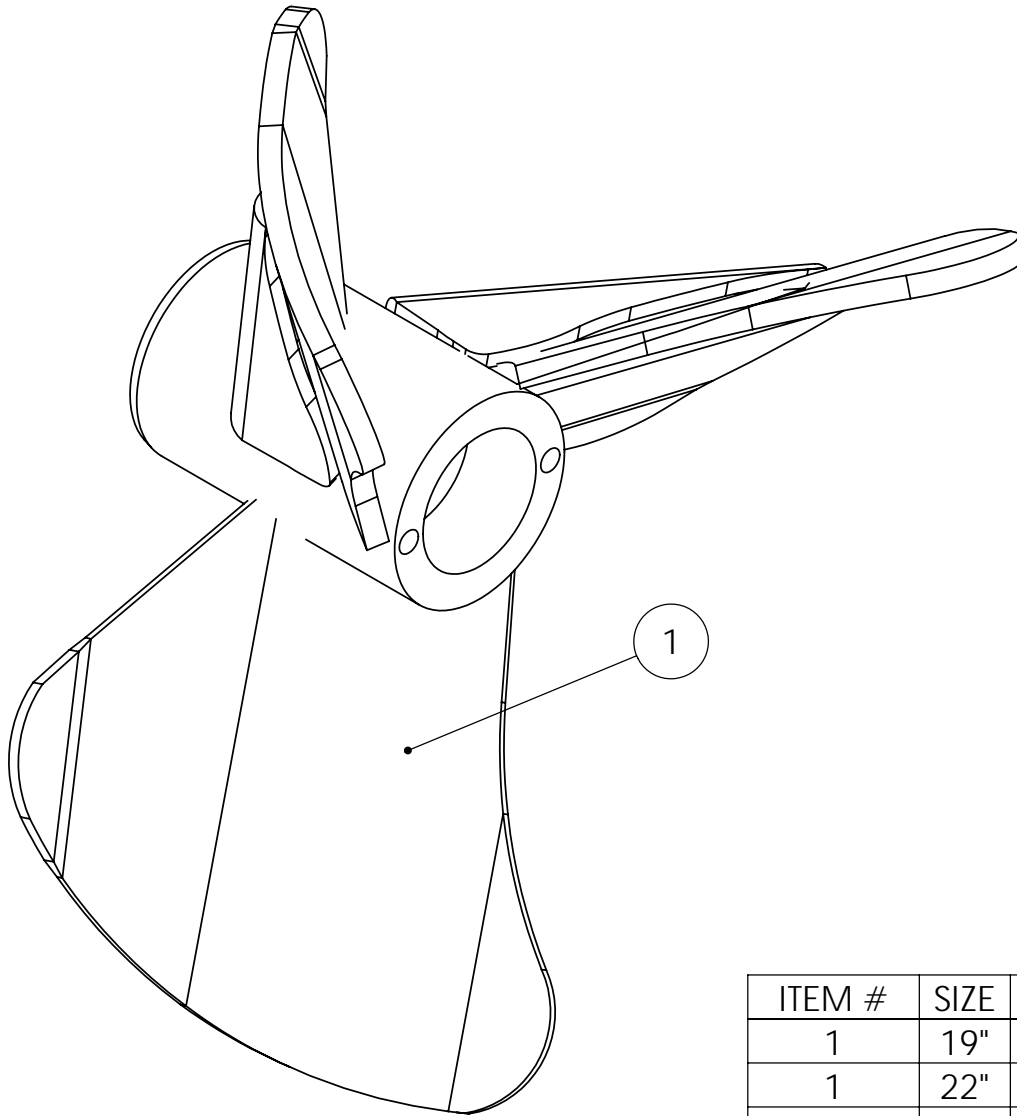
Lagoon Veneroni Pump



ITEM #	QTY.	PART #	DESCRIPTION
1	1	VENERONI PUMP	VENERONI PUMP
2	1	85220	4 BOLT FL w/ 6" PIPE
3	1	85215	LAGOON PUMP TRANSITION
4	1	84950	GEAR BOX FOR VENERONI PUMP
5	1	37536	LAGOON PUMP VERT .G.B
6	1	14454	HOSE 6" - RED NILE BULK
7	2	16009	HOSE CLAMP 149-161mm
8	1	61363	SEAL HOLDER LAGOON PUMP
9	1	36012	GASKET 11" SQ X .03" TH W/ (8) .56"
10	2	6457	SEAL 1.75"ID x 3.00"OD x .50"WIDE -BUNA
11	1	61376	O-RING 3 1/2" DIA x 1/8" THICK
12	1	82820	LAGOON PUMP SKID TALL

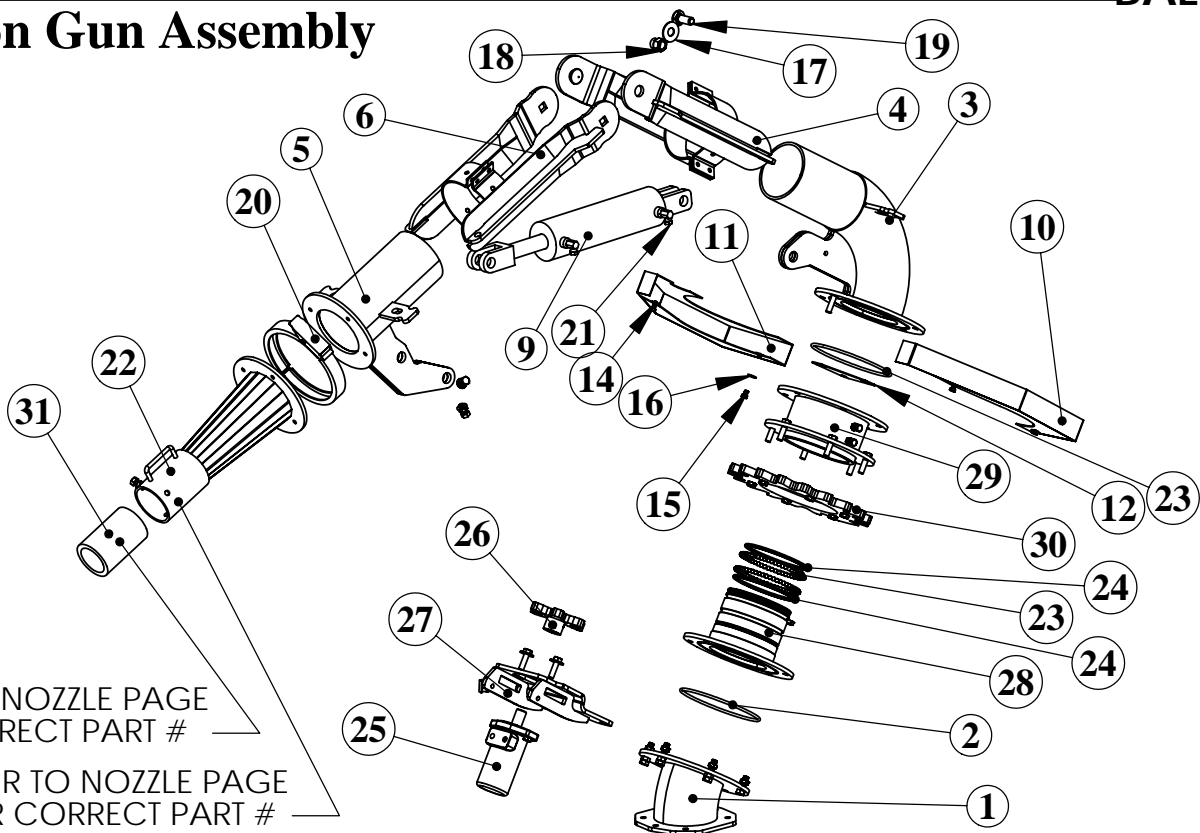
Parts

Agitator Propellers



ITEM #	SIZE	PART #	DESCRIPTION
1	19"	21255	PROPELLER
1	22"	21323	PROPELLER
1	24"	19418	PROPELLER
1	28"	61364	PROPELLER

Lagoon Gun Assembly

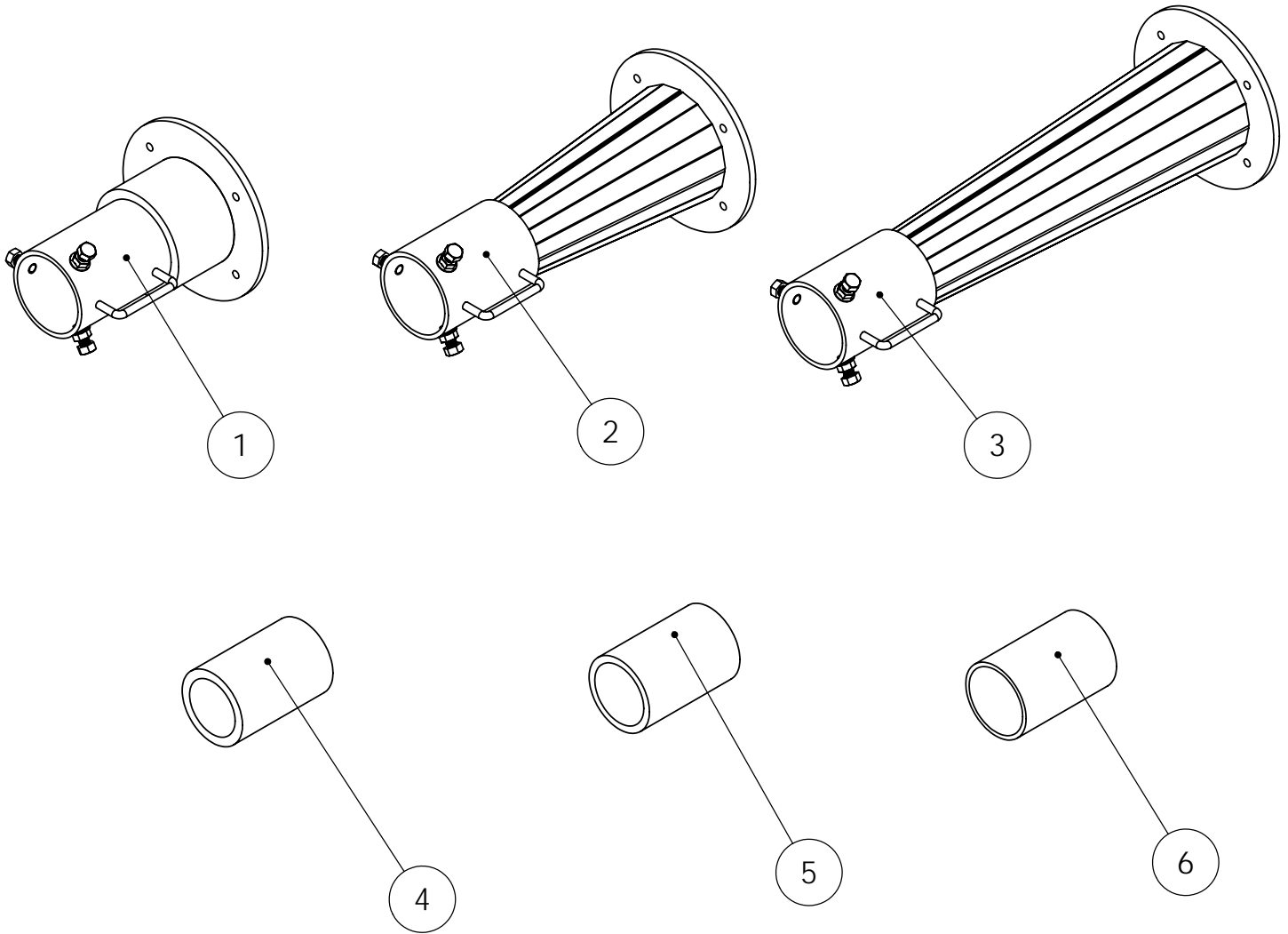


REFER TO NOZZLE PAGE
FOR CORRECT PART #

REFER TO NOZZLE PAGE
FOR CORRECT PART #

ITEM #	QTY.	PART #	DESCRIPTION
1	1	84639	FTG 04.18BCORX05.11BCGKX7GA 30DEG
2	1	16604	O-RING #445 8" ID X 1/4" SC
2	1	84655	SWIVEL ASSEMBLY w/ MOTOR
3	1	84674	ELBOW 6" HOSE BARB-6 BOLT
4	2	84671	GUN PIVOT BRACKET ROUND HOLE HEAVY
5	1	84920	GUN PIVOT WITH 2 LUG LOCATION
6	2	84678	GUN PIVOT BRACKET SQ HOLE HEAVY
7	2	15742	CLAMP, PIPE 1/4"
8	1	20623	HOSE 6.0" ID X 35.0" LG
9	1	20808	HYD CYL 2" BOREx 1.25" ROD x 12.0" STROKE - 2500 PSI
10	1	72290	SHIELD SPROCKET HALF RH
11	1	72295	SHIELD SPROCKET HALF LH
12	1	72294	BRACKET SPROCKET SHIELD
13	2	71916	PIPE .75" xSCH40 x.43" LG
14	2	1183	BOLT .31 x .75 LONG GR5
15	2	1181	BOLT .31 x .50 LONG GR5
16	2	1597	FLATWASHER. 31"
17	2	1621	FLATWASHER .75 SAE
18	2	2593	NUT TOPLOCK .75" UNC
19	2	71924	BOLT 3/4" x 2" CARRIAGE
20	1	31990	IRIG RINGLOCK CLAMP 8"
21	2	21171	HYD ELBOW .25NPTFMSX .37NPTM 90DEG (1501-6-4)
22	1	VARIES	DETACHABLE NOZZLE
23	110	2494	BALL BEARING
24	2	84534	SEAL
25	1	12554	HYD MOTOR 17.9 CU IN W / 1" SHAFT W / A-2 BOLT
26	1	22126	GEAR GUN PIVOT SMALL W / 1.004 ID
27	1	84654	MOTOR MOUNT SWIVEL
28	1	84658	SWIVEL LOWER WELDMENT
29	1	84652	SWIVEL UPPER WELDMENT
30	1	84631	LAGOON PUMP GEAR GUN 8.25" ID PIVOT LARGE
31	1	VARIES	REDUCER ADAPTER

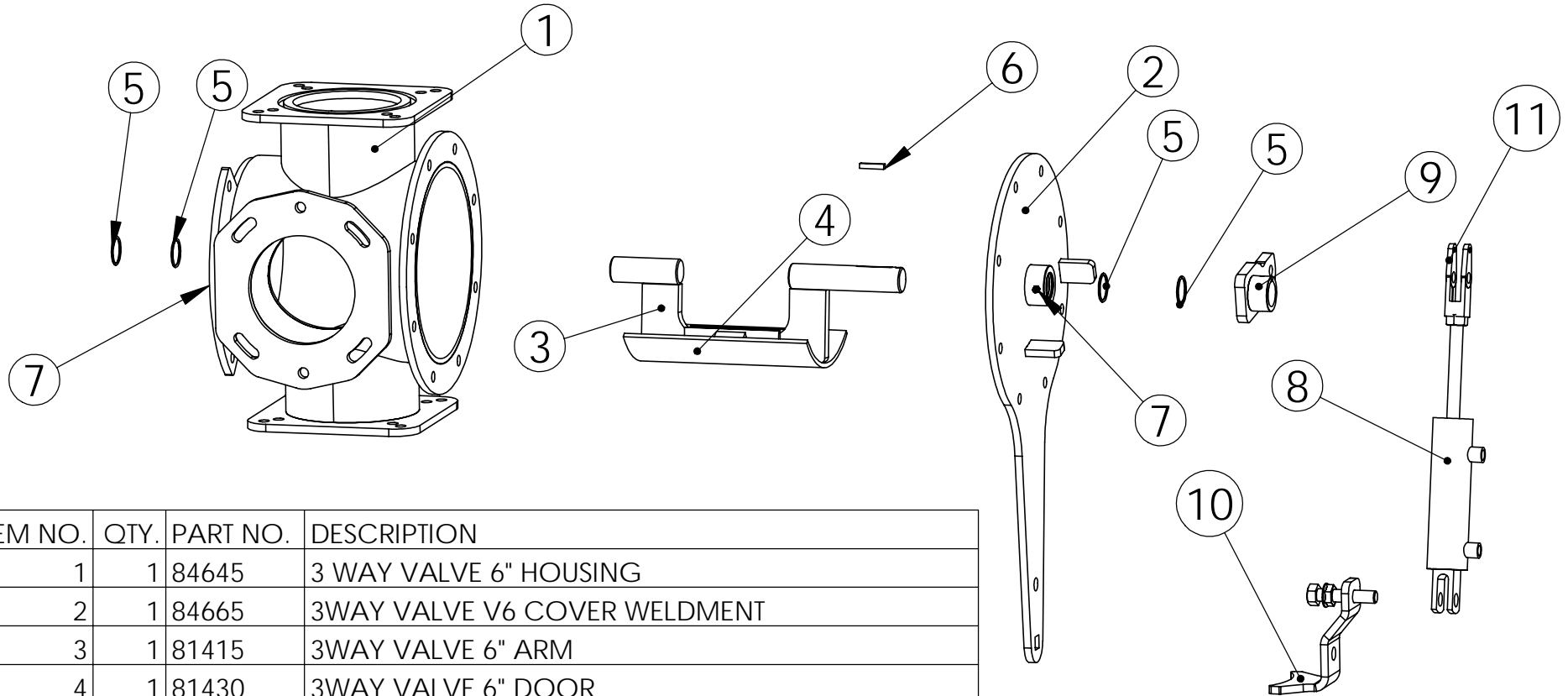
Lagoon Nozzles and Reducers



ITEM NO.	QTY.	PART NO.	DESCRIPTION
1	1	82185	NOZZLE 4" DETACHABLE 10" LG V6 PUMP SECOND NOZZLE OPT.
2	1	71282	NOZZLE 4" DETACHABLE 18" LG
3	1	81480	NOZZLE 4" DETACHABLE 26" LG
4	1	81779	PIPE 4" OD X .49" DOM - 6" LG 3" NOSE OF NOZZLE
5	1	81784	PIPE 4" OD X .37" DOM - 6" LG 3 1/4" NOSE OF NOZZLE
6	1	81774	PIPE 3 1/2" X SCH 40 X 6" LG 3 1/2" NOSE OF NOZZLE

Parts

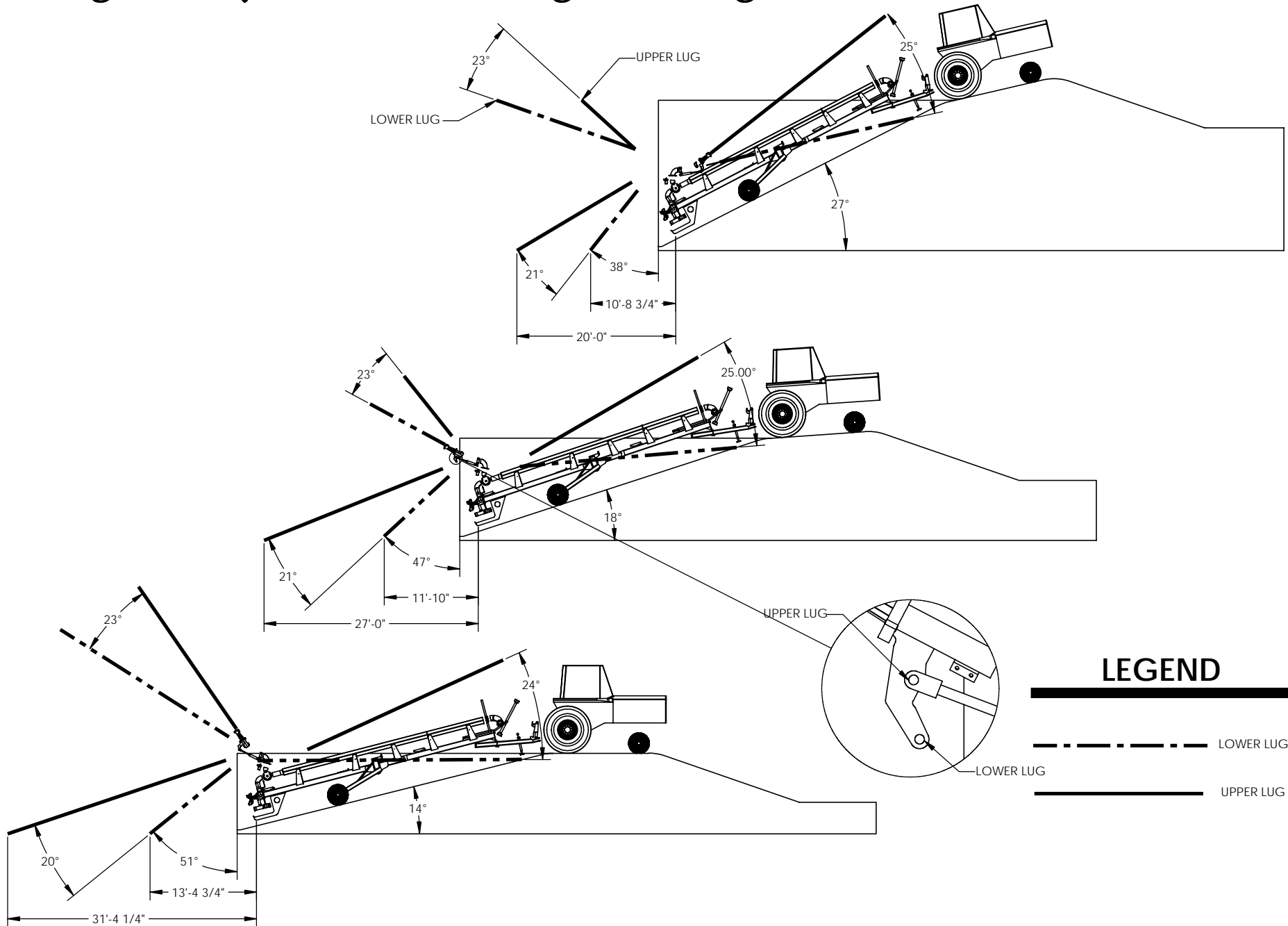
Lagoon 3-Way Valve



ITEM NO.	QTY.	PART NO.	DESCRIPTION
1	1	84645	3 WAY VALVE 6" HOUSING
2	1	84665	3WAY VALVE V6 COVER WELDMENT
3	1	81415	3WAY VALVE 6" ARM
4	1	81430	3WAY VALVE 6" DOOR
5	4	81524	O RING # 142 1 1/4" ID x 1 7/16" OD x 3/32" THICK
6	1	2352	KEY .25" x .25" x 1.25" LG
7	2	2281	ZERK .25"-28 UNF - STRAIGHT
8	1	41710	HYD CYL 1.50"B X04.00"S X0.75R -WELD
9	1	84641	3WAY VALVE AGIT LEVER
10	1	84643	3WAY VALVE 6" AGIT CYL MOUNT
11	1	41709	CLEVIS BRAKE LINKAGE
12	1	1295	HEX HEAD BOLT 5/8" x 3"
13	1	2085	NUT HX HD 5/8-11UNC RH WHIZLOC

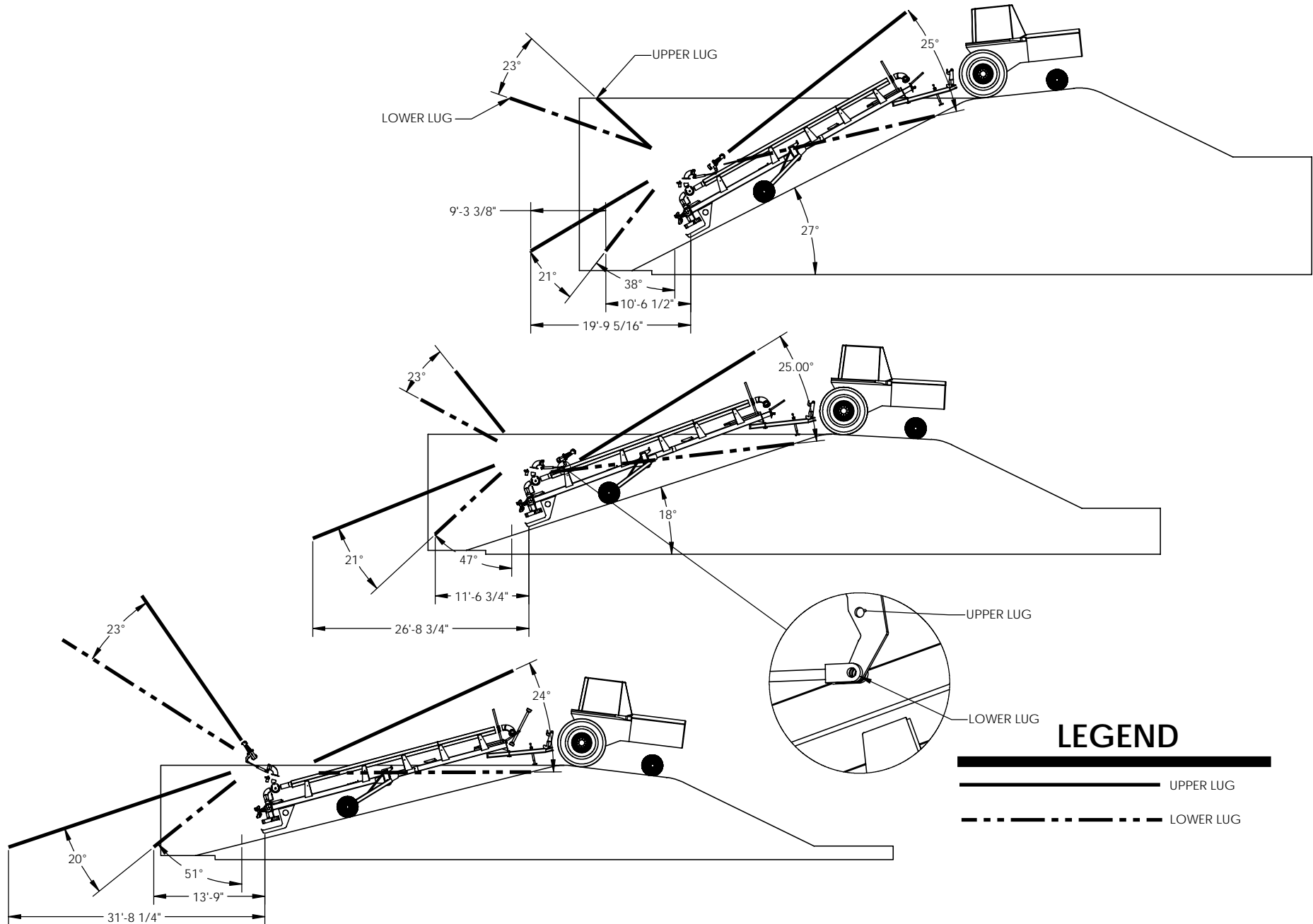
Parts

Lagoon Layout 38' Working Gun Angle



LAST REVISED
 Thursday, December 11, 2008 9:25:30 AM
 SAVED AS
 G:\Asw\ODDS & ENDS\LAGOON LAYOUT 38'

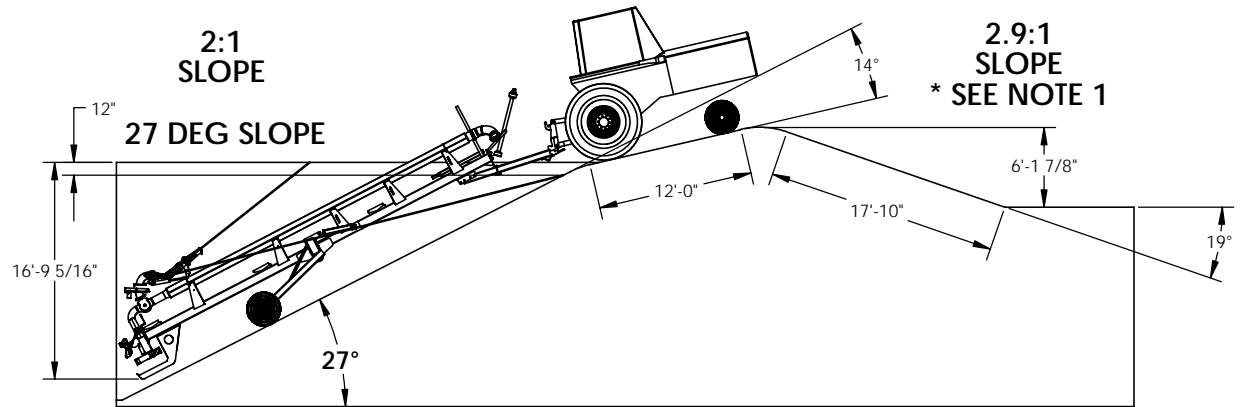
Lagoon Layout 38' With Jack Shaft Working Gun Angle



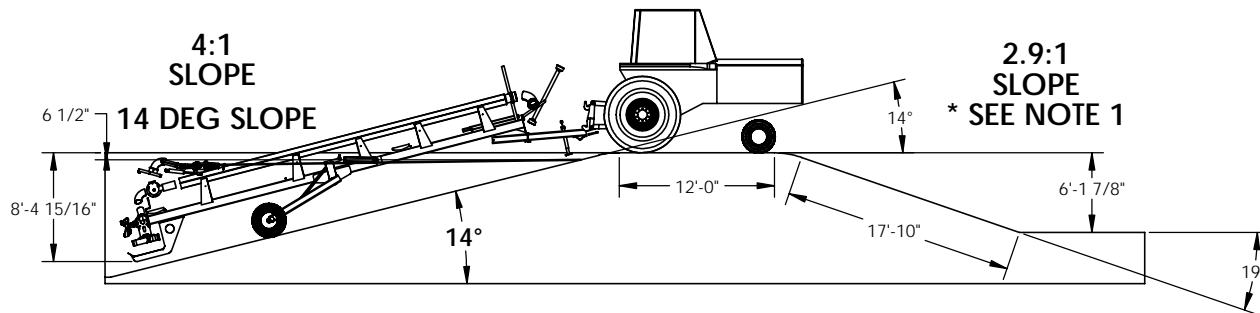
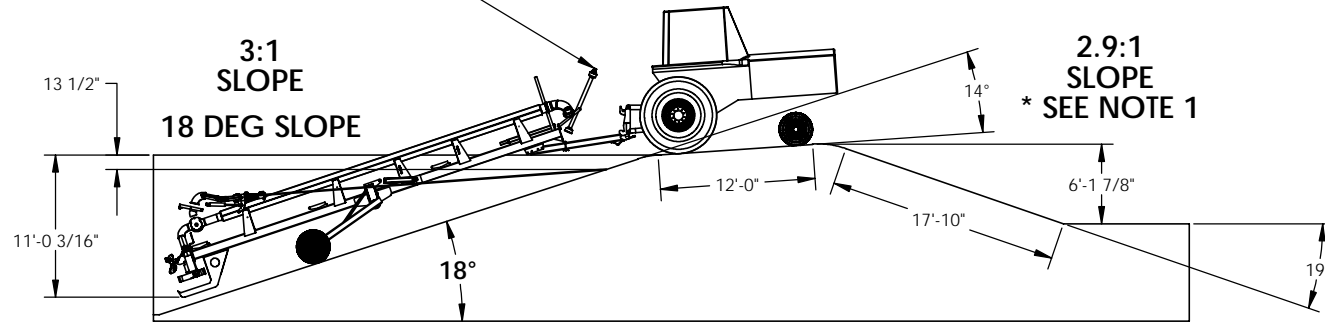
LAST REVISED
 Thursday, December 11, 2008 9:35:23 AM
 SAVED AS
 G:\ASW\ODDS & ENDS\LAGOON LAYOUT 38' 7 DEG

Parts

Lagoon Layout 38'



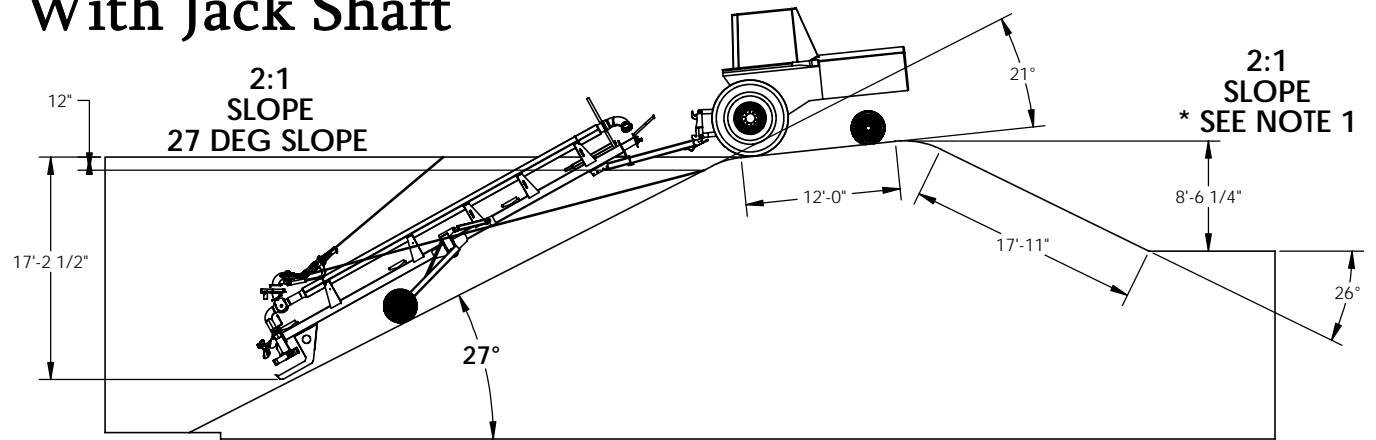
MAX. STD. PTO ANGLE 14DEG.



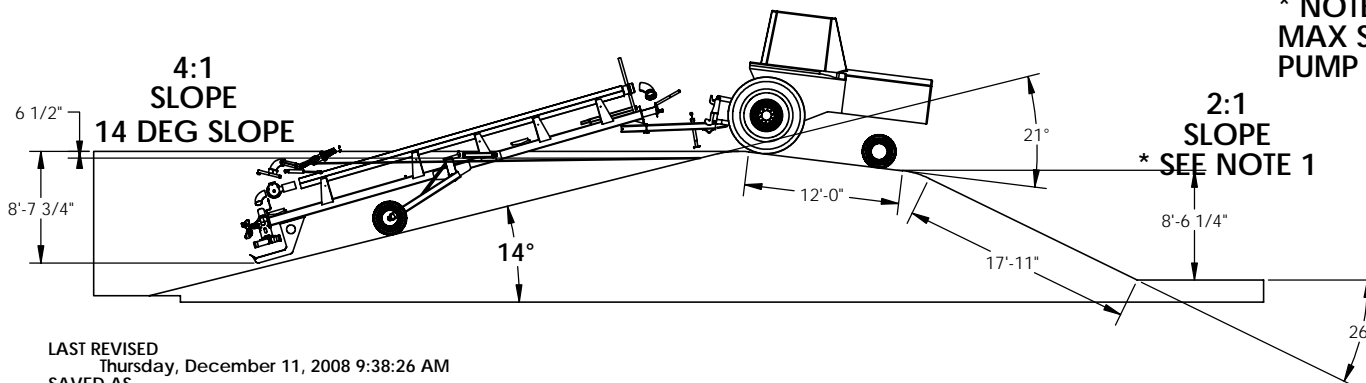
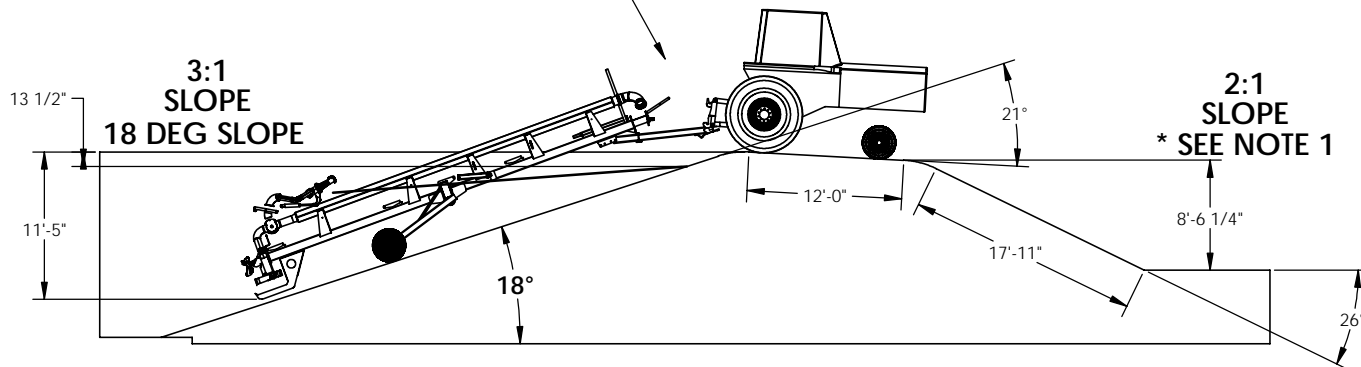
* NOTE 1:
MAX SLOPE ON OUTER BANK TO POSITION
PUMP WITH MIN. GROUND CLEARANCE.

Parts

Lagoon Layout 38' With Jack Shaft



MAX. STD. PTO ANGLE 21DEG.



* NOTE 1:
MAX SLOPE ON OUTER BANK TO POSITION
PUMP WITH MIN. GROUND CLEARANCE.