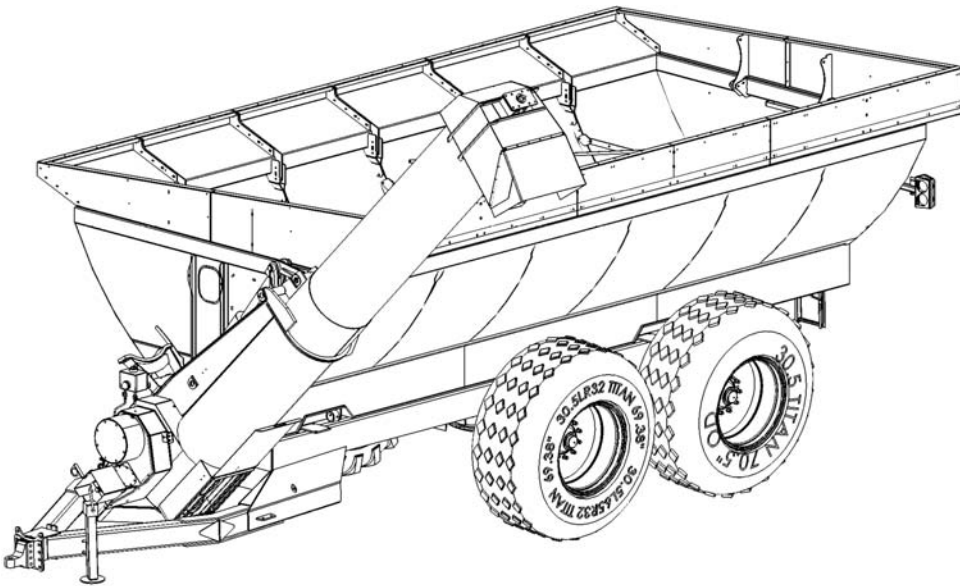


THE
FIELD FLOATER
High Capacity *Grain Carts*

PARTS MANUAL

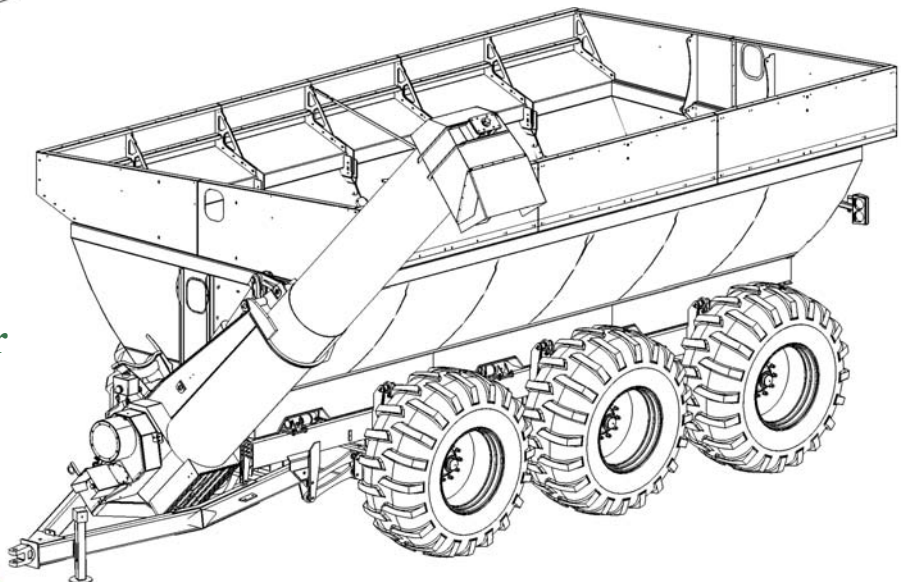
Tandem



1250 Extension
1500 Extension
1800 Extension

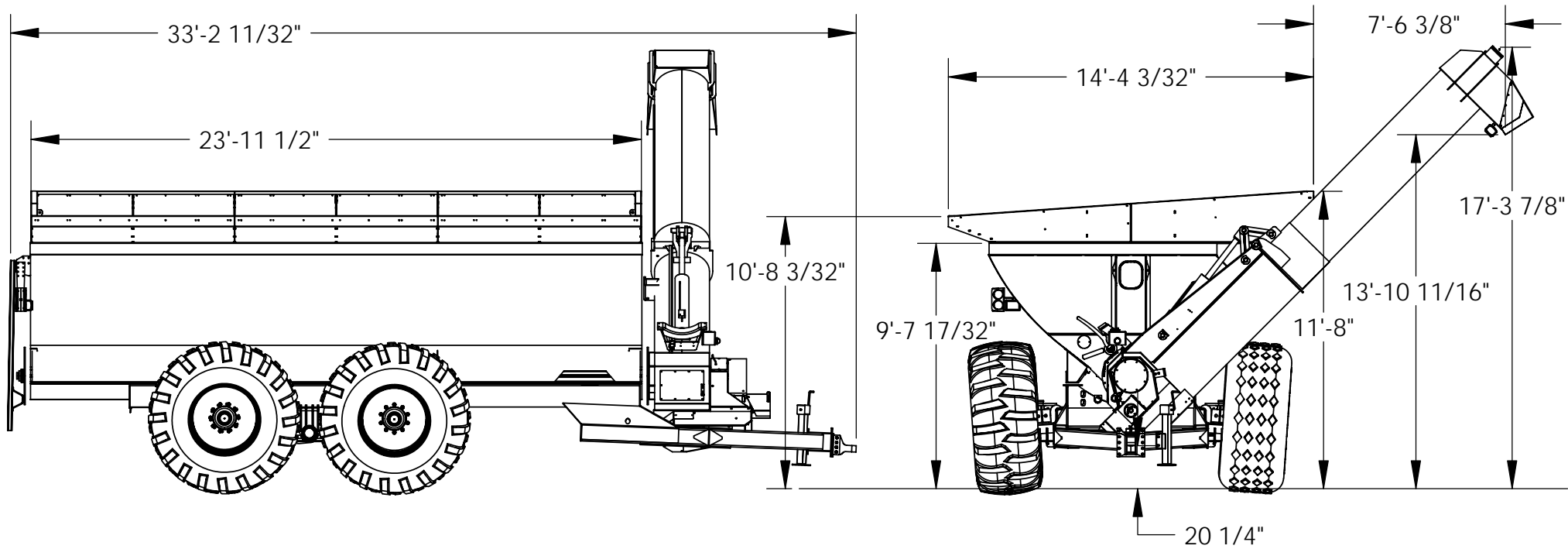
Standard Upper Vertical Auger
Swivel Upper Vertical Auger

Tridem

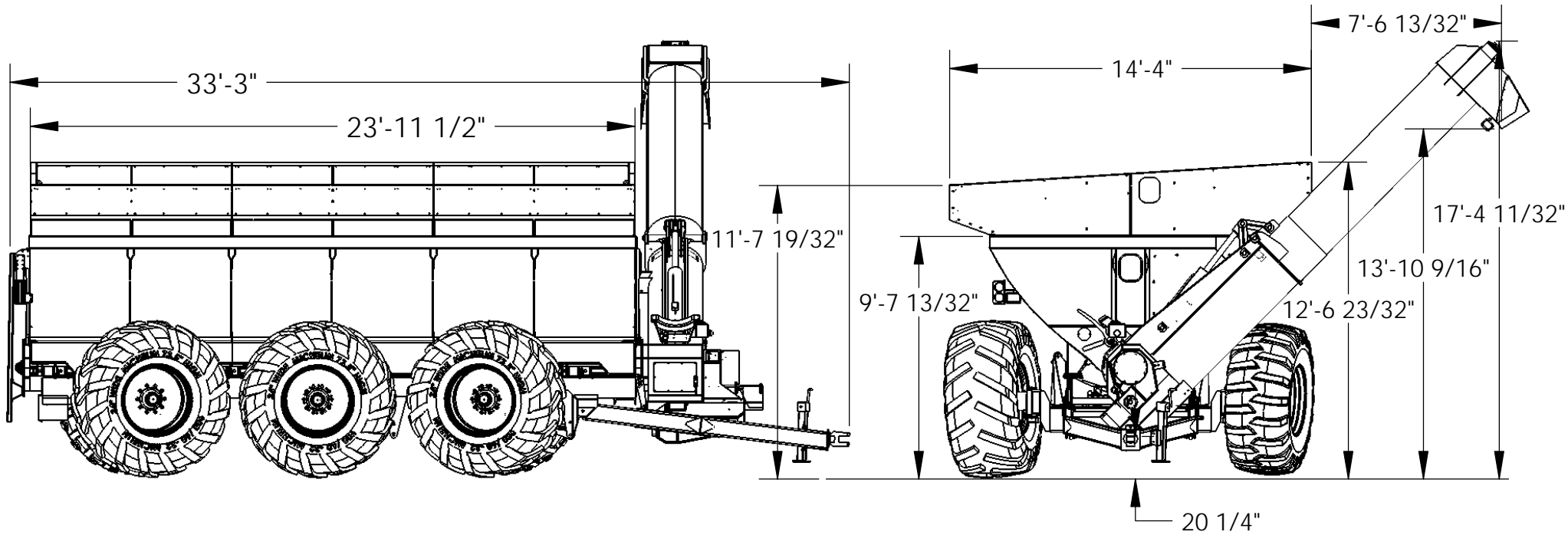


January 2008
English Edition

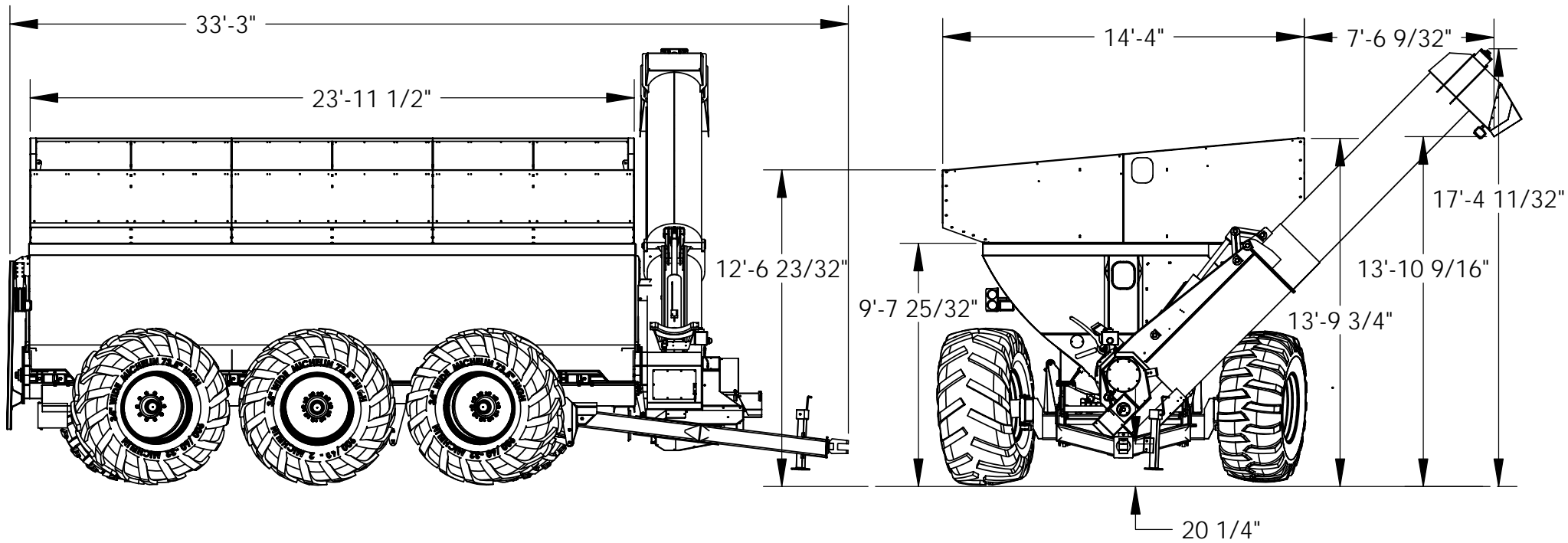
1250 TANDEM GRAIN CART



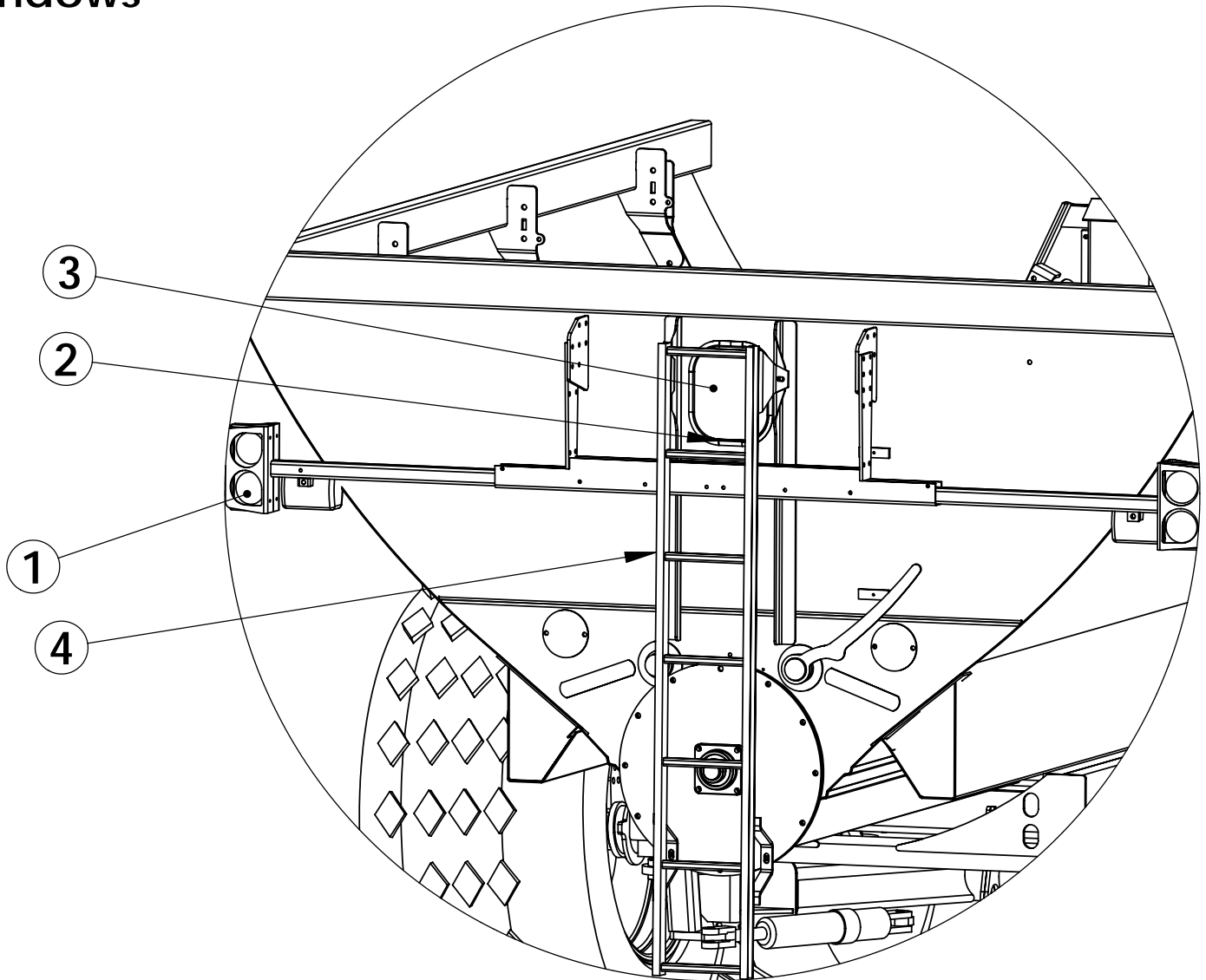
1500 TRIDEM GRAIN CART



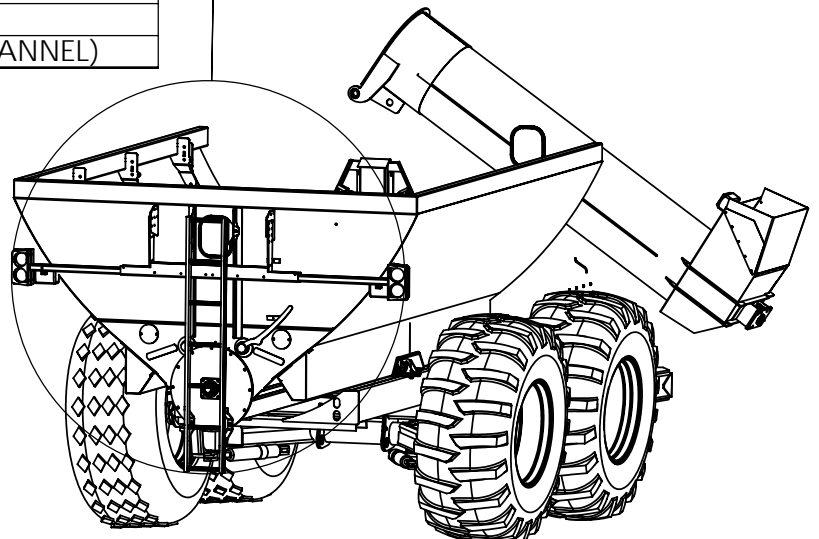
1850 TRIDEM GRAIN CART



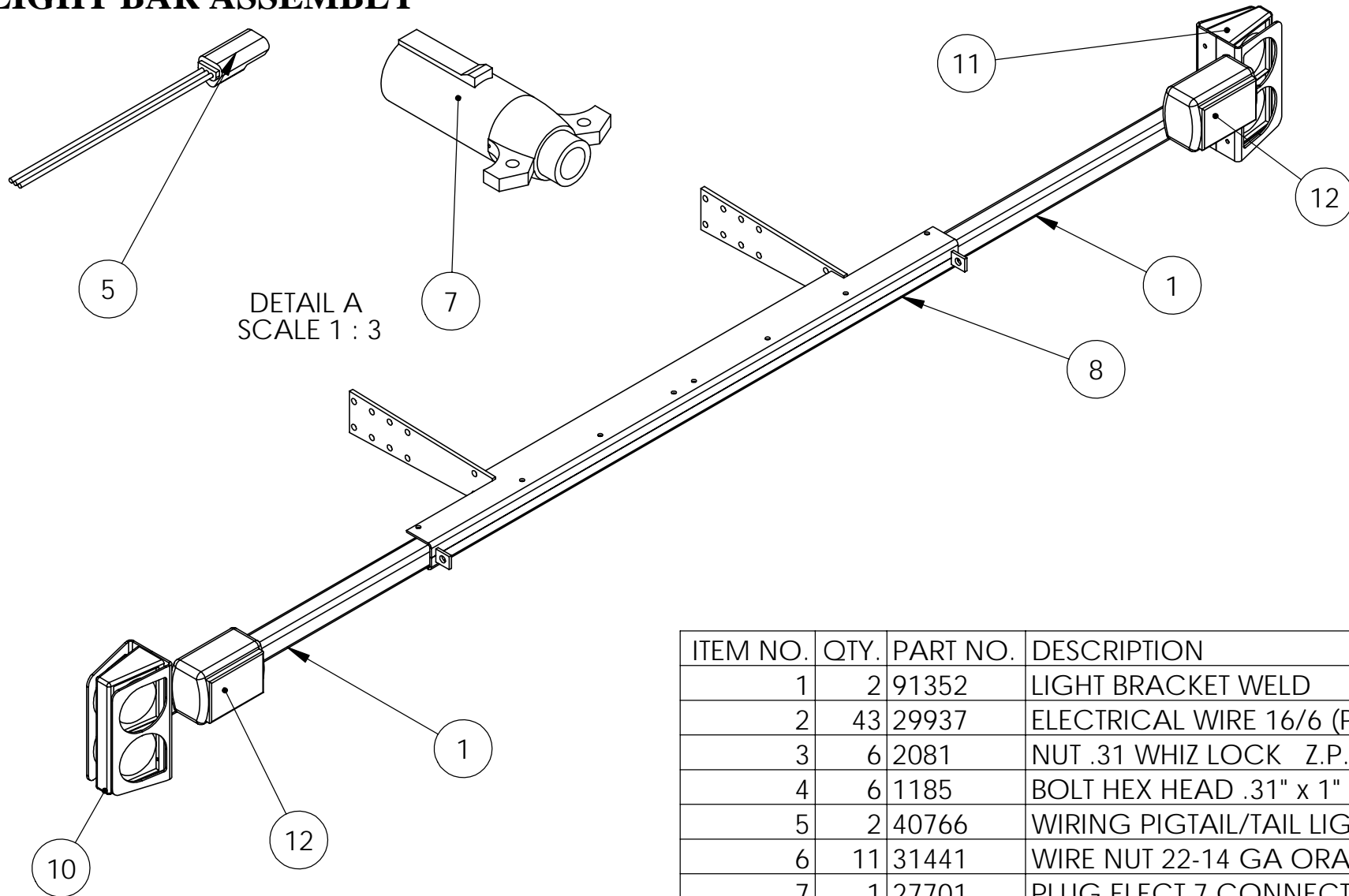
Lights, Ladder and Windows



ITEM #	QTY	PART #	DESCRIPTION
1	1	91350	LIGHT KIT ADJUSTABLE
2	2	90739	RUBBER SEAL - WEATHERSTRIP
3	2	90318	WINDOW IN GRAIN CART
4	1	83440	LADDER GRAIN CART (CHANNEL)



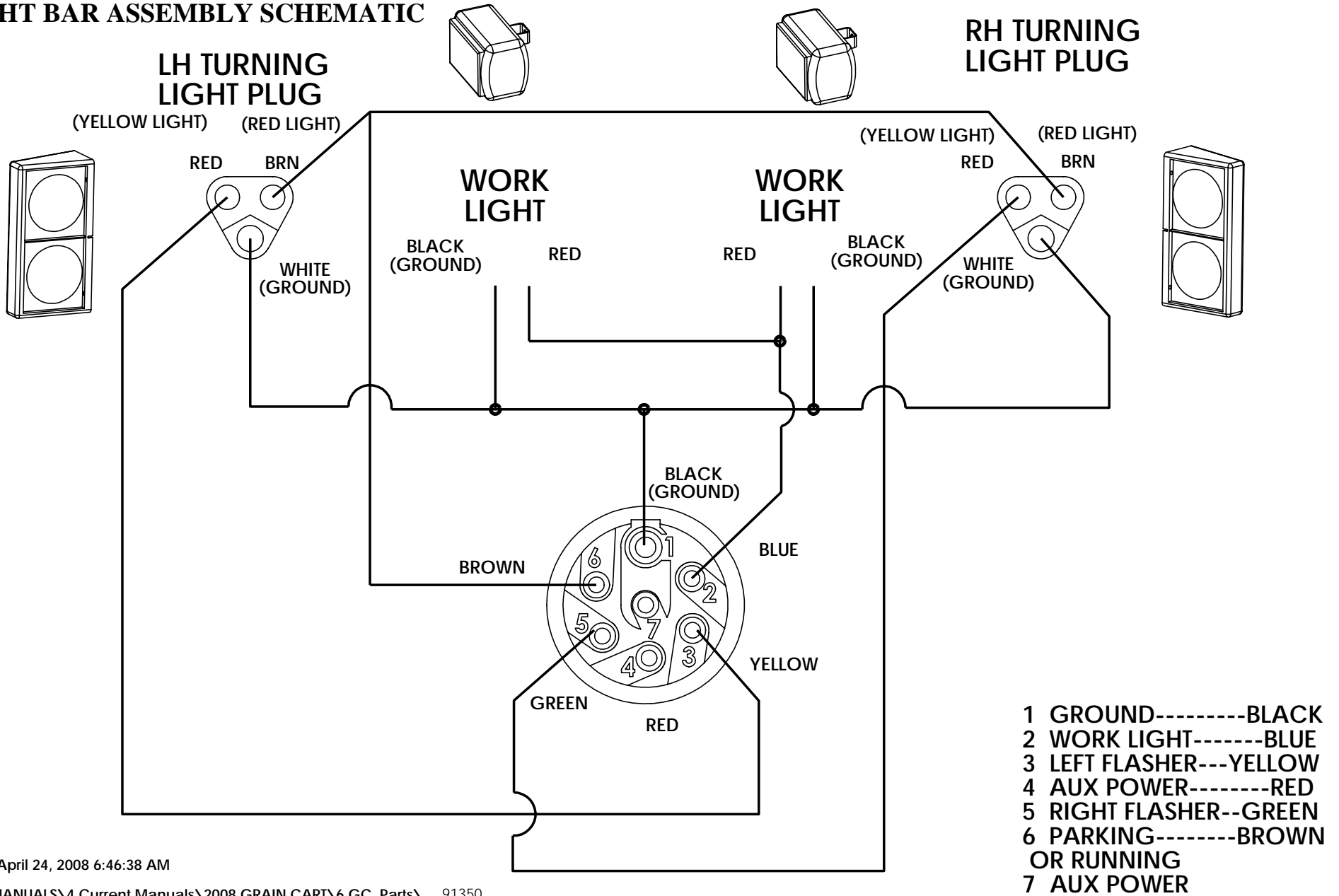
LIGHT BAR ASSEMBLY



ITEM NO.	QTY.	PART NO.	DESCRIPTION
1	2	91352	LIGHT BRACKET WELD
2	43	29937	ELECTRICAL WIRE 16/6 (PER FT)
3	6	2081	NUT .31 WHIZ LOCK Z.P.
4	6	1185	BOLT HEX HEAD .31" x 1" GRD5
5	2	40766	WIRING PIGTAIL/TAIL LIGHT
6	11	31441	WIRE NUT 22-14 GA ORANGE
7	1	27701	PLUG ELECT 7 CONNECTOR FML
8	1	92755	LIGHT BAR RECIEVER
9	3	15742	CLAMP, PIPE 1/4"
10	1	40763	LIGHT TURNING LH
11	1	40762	LIGHT TURNING RH
12	2	60984	WORK LIGHT 3x5 HALOGEN

Parts
LIGHT BAR ASSEMBLY SCHEMATIC

BALZER_{INC}

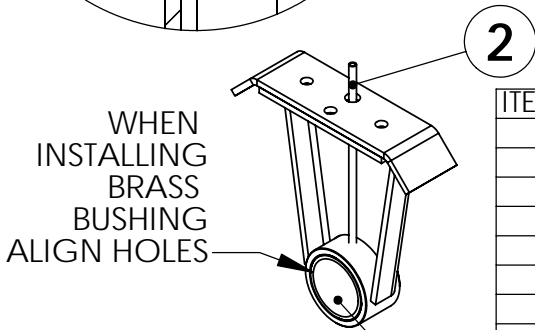
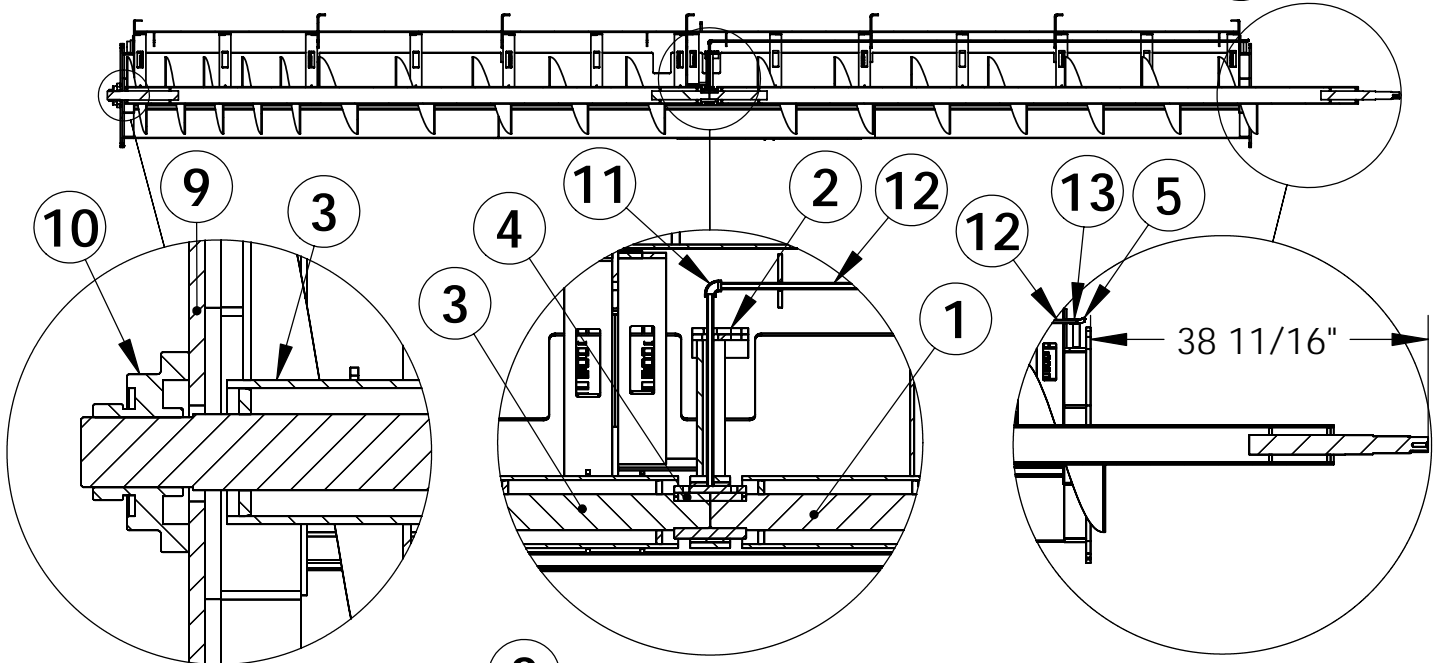
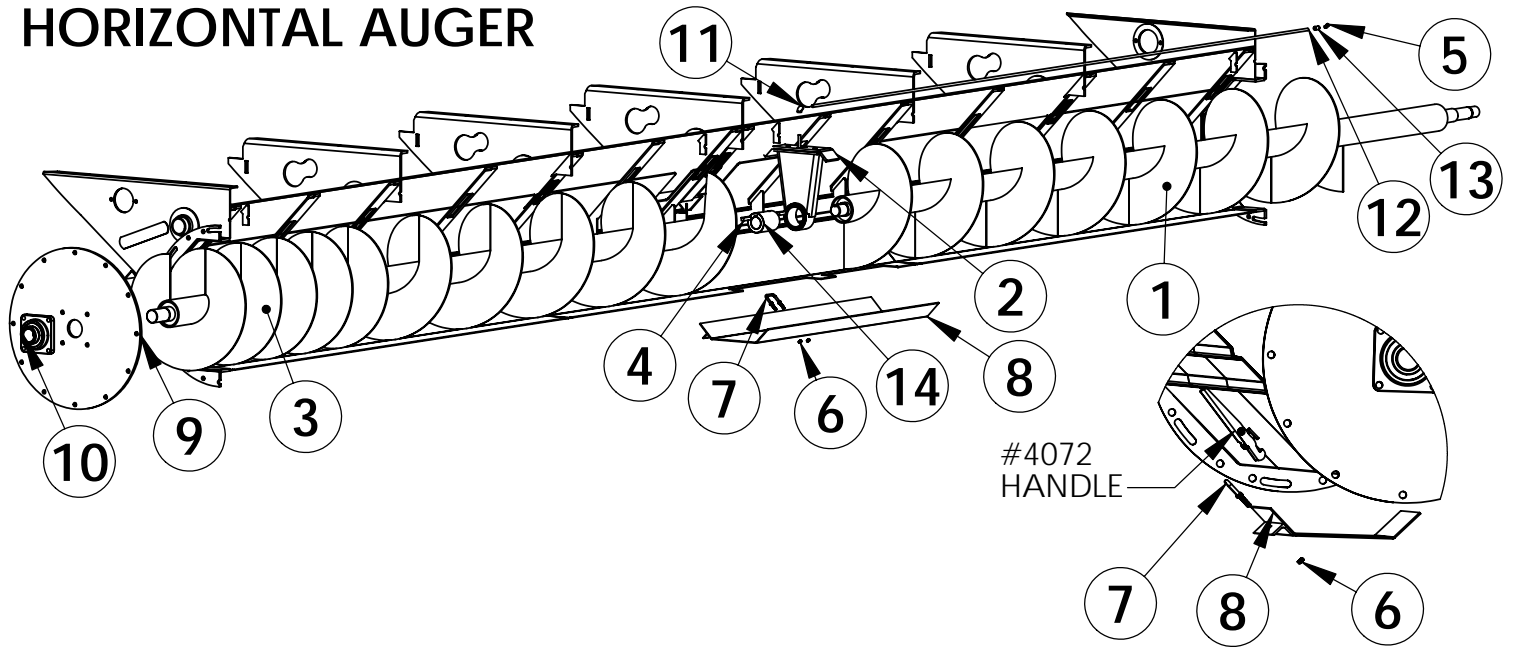


LAST REVISED
 Thursday, April 24, 2008 6:46:38 AM
 SAVED AS
 G:\Asw\MANUALS\4 Current Manuals\2008 GRAIN CART\6 GC Parts\ 91350

Parts

BALZER_{NC}

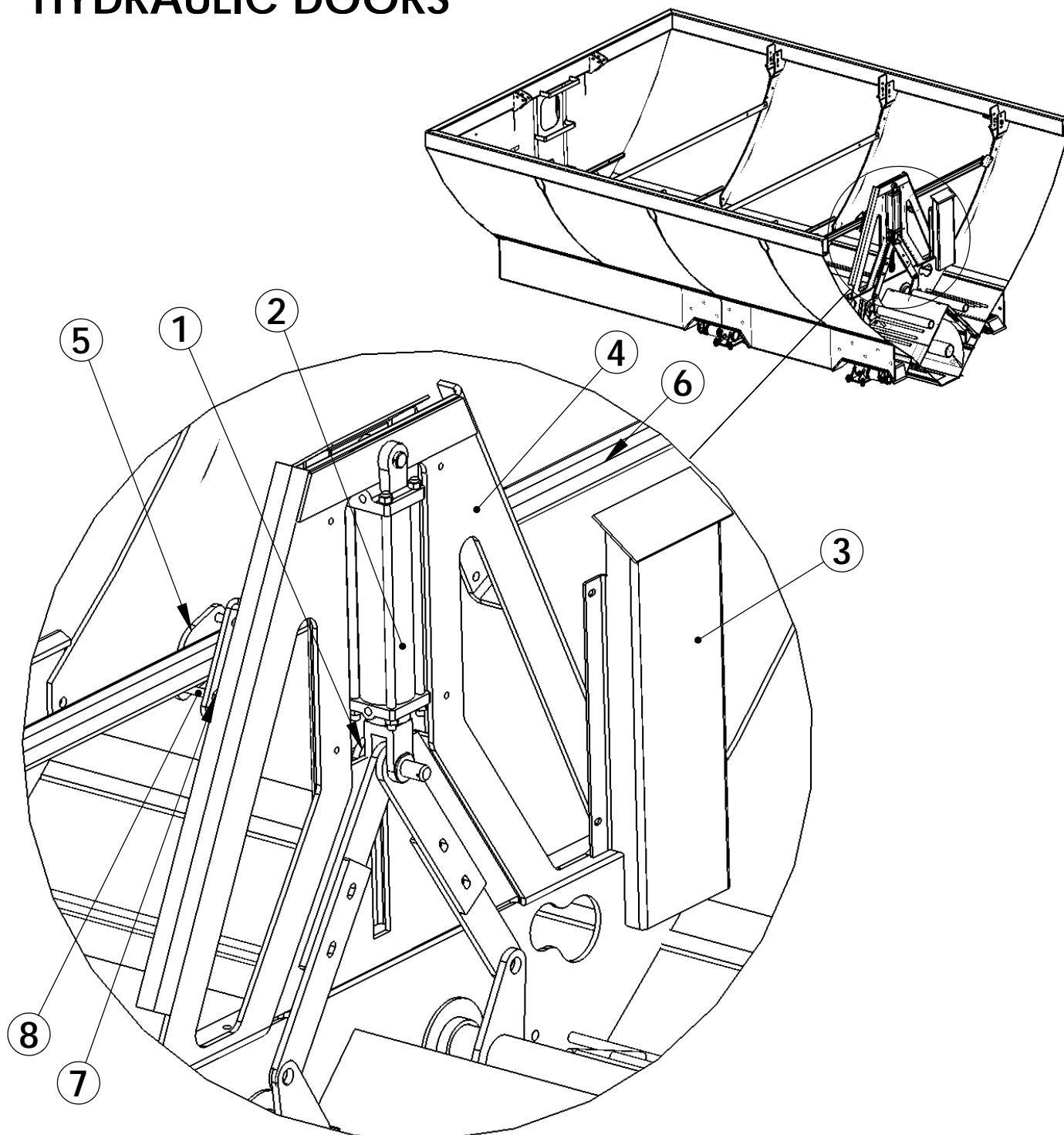
HORIZONTAL AUGER



#90664
BRASS BUSHING
#90661 HANGER BEARING

ITEM #	QTY	PART #	DESCRIPTION
1	1	90906	AUGER 20" FRONT HORIZ
2	1	90661	HANGER BEARING HOR AUGER
3	1	90451	AUGER 20" HORIZ REAR
4	2	2437	KEY .50" x .50" x 2.00" LG
5	1	2292	ZERK .12" -28 NPT -45 DEG
6	4	1691	NUT .31 HEX
7	1	84491	U-BOLT 5/16"-18 x 2" x 3"
8	1	84484	DOOR BOTTOM CLEAN OUT
9	1	85062	COVER, REAR HORT AUGER 27" OD
10	1	26872	BEARING 4 BOLT FLG 2.18" X 5.12" CAM
11	1	90676	ELBOW .125" FMNPT x .125" FMNPT x 90 DEG
12	1	90677	NIPPLE .12" NPTM X .12" NPTM X 139" LG
13	1	12333	COUPLER PIPE 1/8" NPT
14	1	90586	COUPLER SHAFT 2"IDx3.3" OD x 4.5"LGx .5KY

HYDRAULIC DOORS

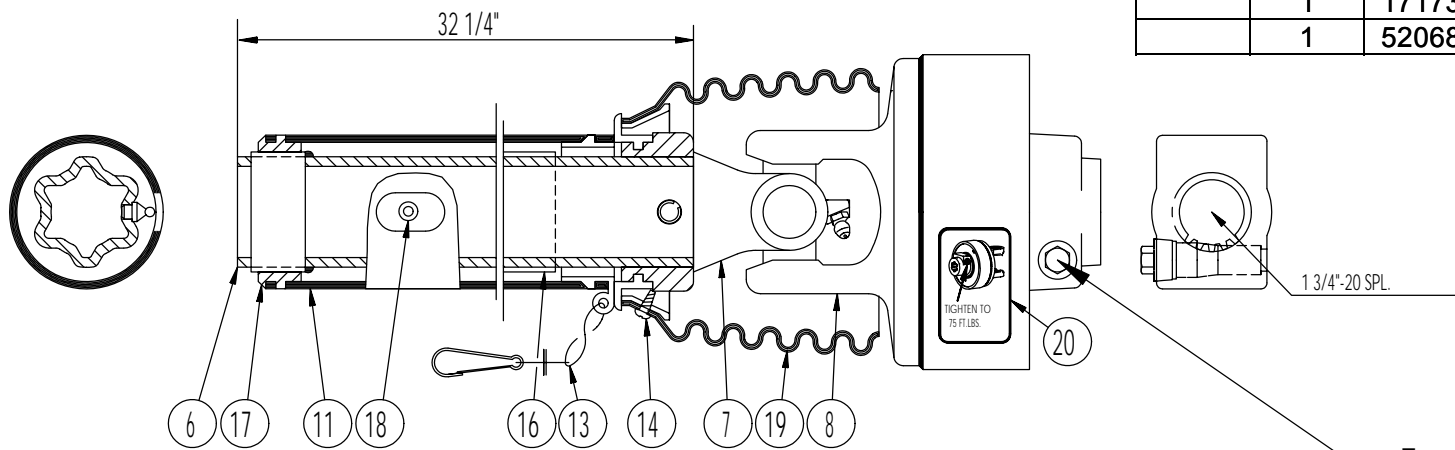
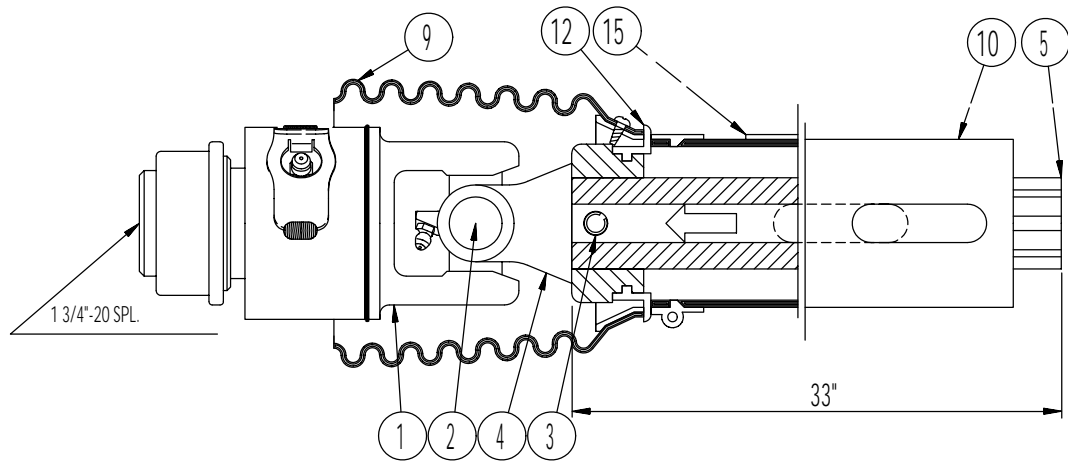


ITEM #	QTY	PART #	DESCRIPTION
1	1	82532	WASHER 1.00" x 2.87" x .50" TH
2	1	8226	HYD CYL 2.50" B x 10.00" S x R - TIE ROD
3	2	82153	SHIELD WELDMENT HYD DOORS
4	1	82145	HYD CYD MOUNT WELDMENT
5	8	82158	PLATE 3/8" MOUNTING (DQ)
6	1	82157	TUBE 2.00" x 2.00" x .25" x 110.00" LG -MITRE
7	4	2539	NUT TOPLOCK .50"
8	4	1258	BOLT HEXHEAD .50" x 3.50" UNC GRD 5

Parts

PTO 1 3/4" - 1000RPM CutOut Clutch Part # 37446WAL

BILL OF MATERIALS			
Item #	Quantity	Part #	Description
1	1	52065	OVERRUNNING CLUTCH
2	2	17157	CROSS & BEARING KIT
3	2	17158	SPRING PIN 10 X 90
4	1	17159	INBOARD YOKE S4
5	1	52066	INNER PROFILE S4GA
6	1	50639	PROFILE(S5) & SLEEVE W.A.
7	1	17162	INBOARD YOKE S5
8	1	52067	CUT-OUT CLUTCH
9	1	17163	SHIELD CONE 7 RIB
10	1	50640	OUT. SHIELD TUBE OVL.
11	1	50641	INN. SHIELD TUBE RND.
12	2	16814	BEARING RING SC25
13	1	16815	SAFETY CHAIN
14	2	16818	SCREW-IN ITEM 9 & 19
15	1	16816	DECAL OUT.-IN ITEM 10
16	1	16817	DECAL INN.-IN ITEM 6
17	1	17171	SUPPORT BEARING
18	1	16820	ZERK-IN ITEM 6
19	1	50454	SHIELD CONE 6 RIB
20	1	52069	DECAL-K64
	1	17173	ASG COL. KIT-IN ITEM 1
	1	52068	CC LOCK ASSY-IN ITEM 8

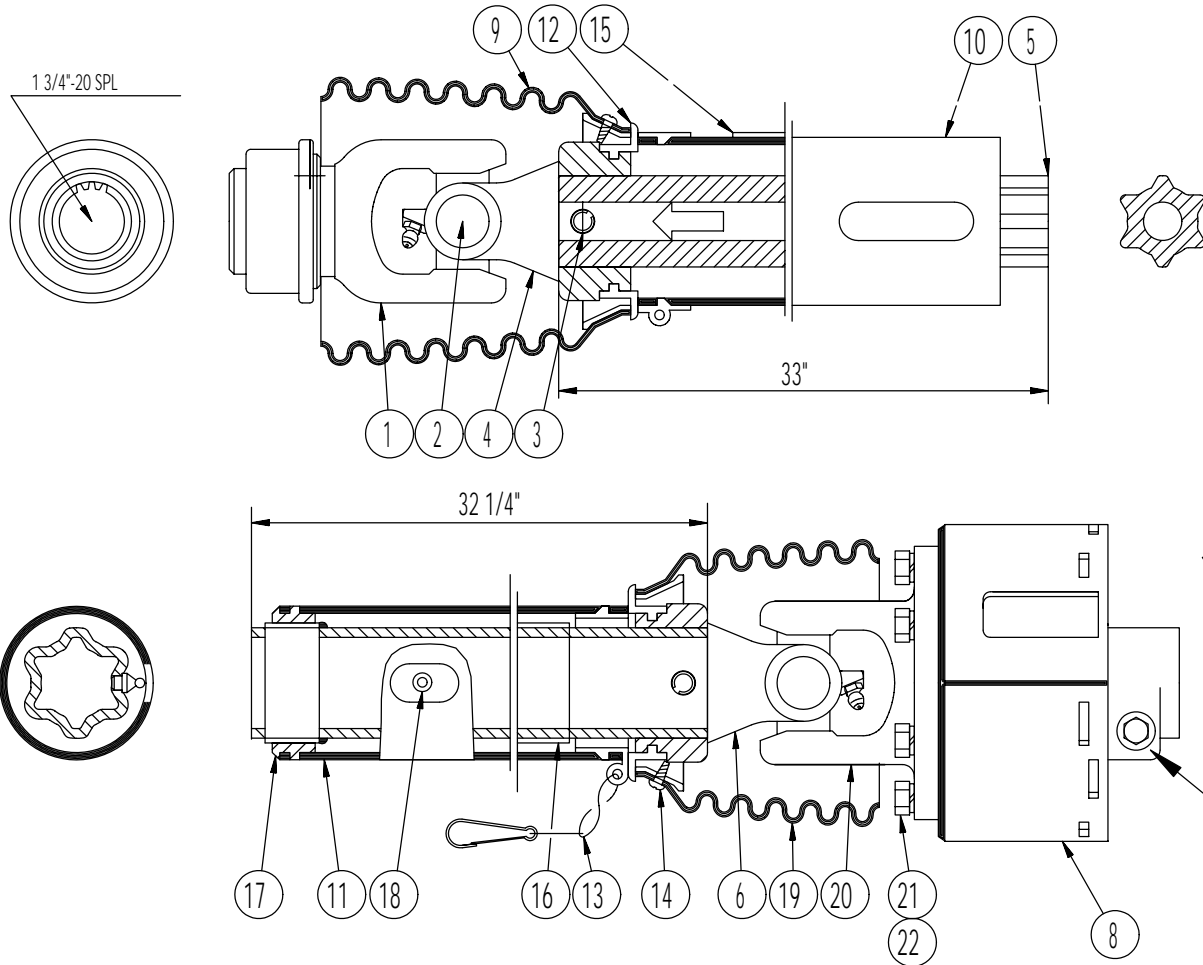


Torque to 75 ft/lbs

Parts

PTO 1 3/4" - 1000RPM Friction Clutch Part # 37518WAL

BILL OF MATERIALS			
Item #	Quantity	Part #	Description
1	1	17200	YOKE 1 3/4"-20 SPL ASG
2	2	17157	CROSS & BEARING KIT
3	2	17158	SPRING PIN 10 X 90
4	1	17159	INBOARD YOKE S4
5	1	52166	INNER PROFILE S4GA
6	1	52167	PROFILE(S5H) & SLEEVE WA
7	1	17162	INBOARD YOKE S5
8	1	52168	FRICITION/OVERRUNNING CLUTCH
9	1	17163	SHIELD CONE 7 RIB
10	1	52169	OUT. SHIELD TUBE OVL.
11	1	50972	INN. SHIELD TUBE RND.
12	2	16814	BEARING RING SC25
13	1	16815	SAFETY CHAIN
14	2	16818	SCREW-IN ITEM 9 & 19
15	1	16816	DECAL OUT.-IN ITEM 10
16	1	16817	DECAL INN.-IN ITEM 6
17	1	17171	SUPPORT BEARING
18	1	N/A	ZERK-IN ITEM 6
19	1	50454	SHIELD CONE 6 RIB
20	1	50619	FLANGE YOKE
21	6	3043	BOLT M12 X 30
22	6	3063	LOCK WASHER M12
	1	17173	AS COL. KIT-IN ITEM 1
	1	50616	CC LOCK ASSY-IN ITEM 8

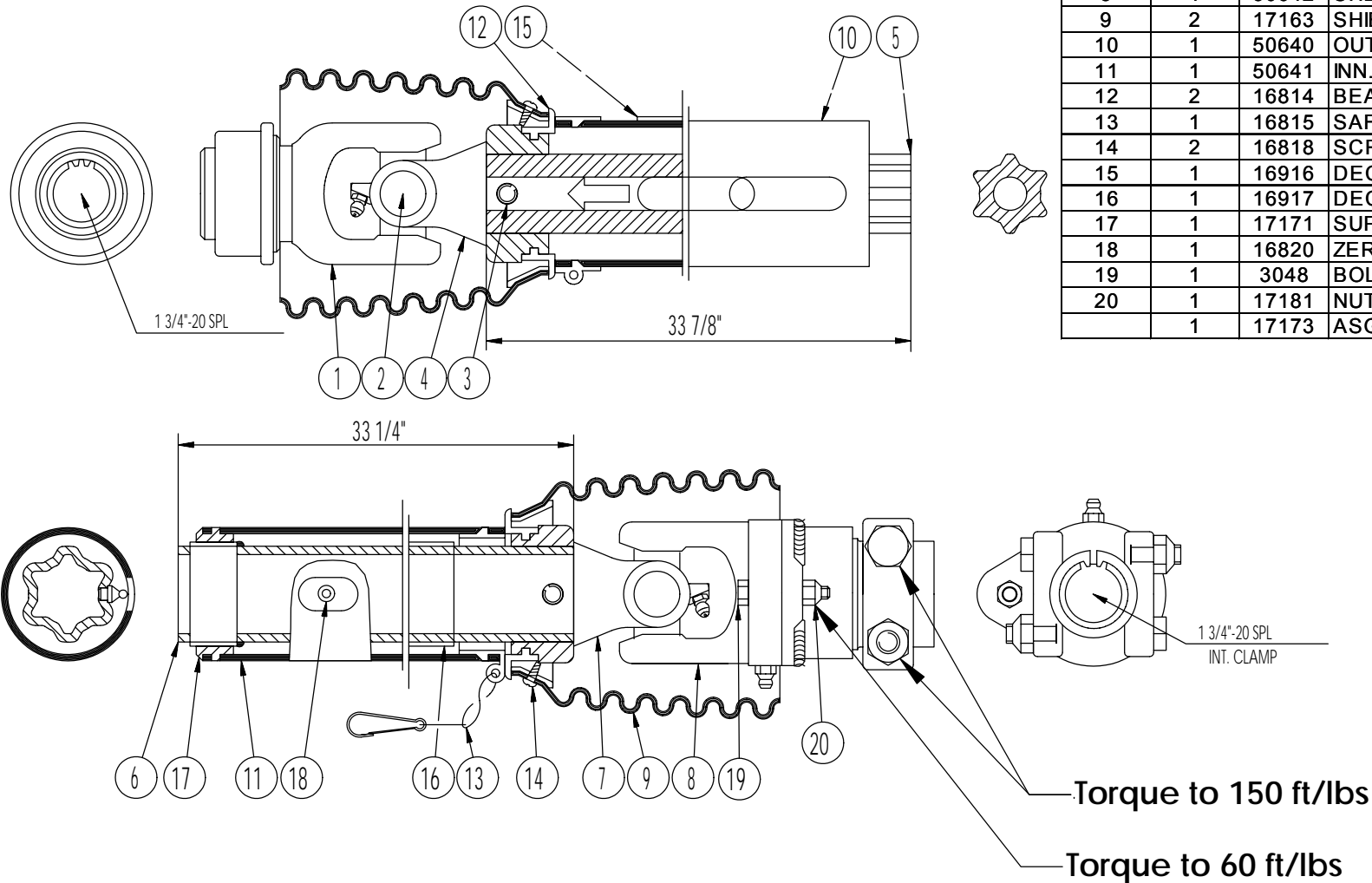


Torque to 75 ft/lbs

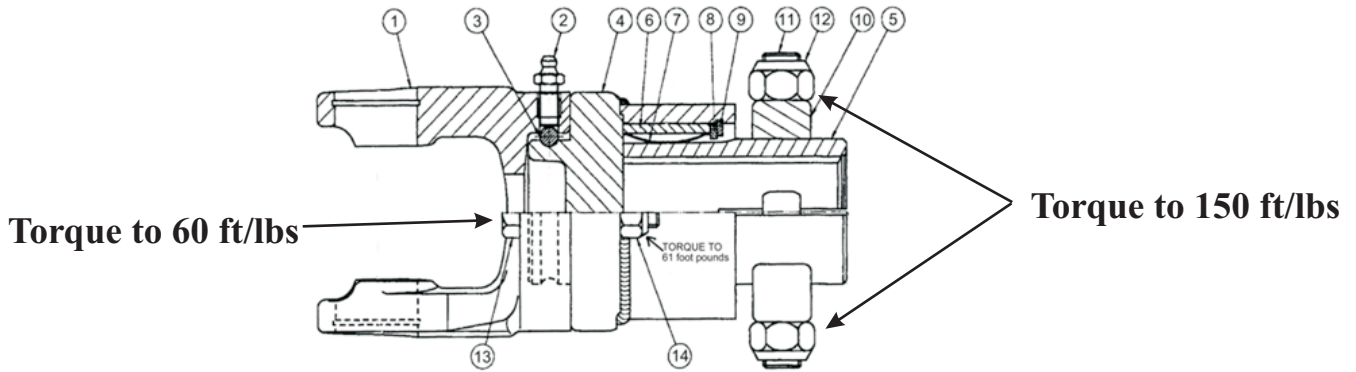
Parts

PTO 1 3/4" - 1000RPM Shear Yoke PTO Part # 91409WAL

Item #	Quantity	Part #	Description
1	1	17200	YOKE 1 3/4"-20 SPL ASG
2	2	17157	CROSS & BEARING KIT
3	2	17158	SPRING PIN 10 X 90
4	1	17159	INBOARD YOKE S4
5	1	52066	INNER PROFILE S4
6	1	50639	PROFILE & SLEEVE W.A.
7	1	17162	INBOARD YOKE S5
8	1	50642	SHEARBOLT/OVERRUNNING CLUTCH
9	2	17163	SHIELD CONE 7 RIB
10	1	50640	OUT. SHIELD TUBE OVL.
11	1	50641	INN. SHIELD TUBE RND.
12	2	16814	BEARING RING SC25
13	1	16815	SAFETY CHAIN
14	2	16818	SCREW-IN ITEM 9
15	1	16916	DECAL OUT.-IN ITEM 10
16	1	16917	DECAL INN.-IN ITEM 6
17	1	17171	SUPPORT BEARING
18	1	16820	ZERK - IN ITEM 6
19	1	3048	BOLT M12X60-IN ITEM 8
20	1	17181	NUT M12 - IN ITEM 8
	1	17173	ASG COL. KIT-IN ITEM 1



GRAINCART SHEARBOLT YOKE, PART# 50642



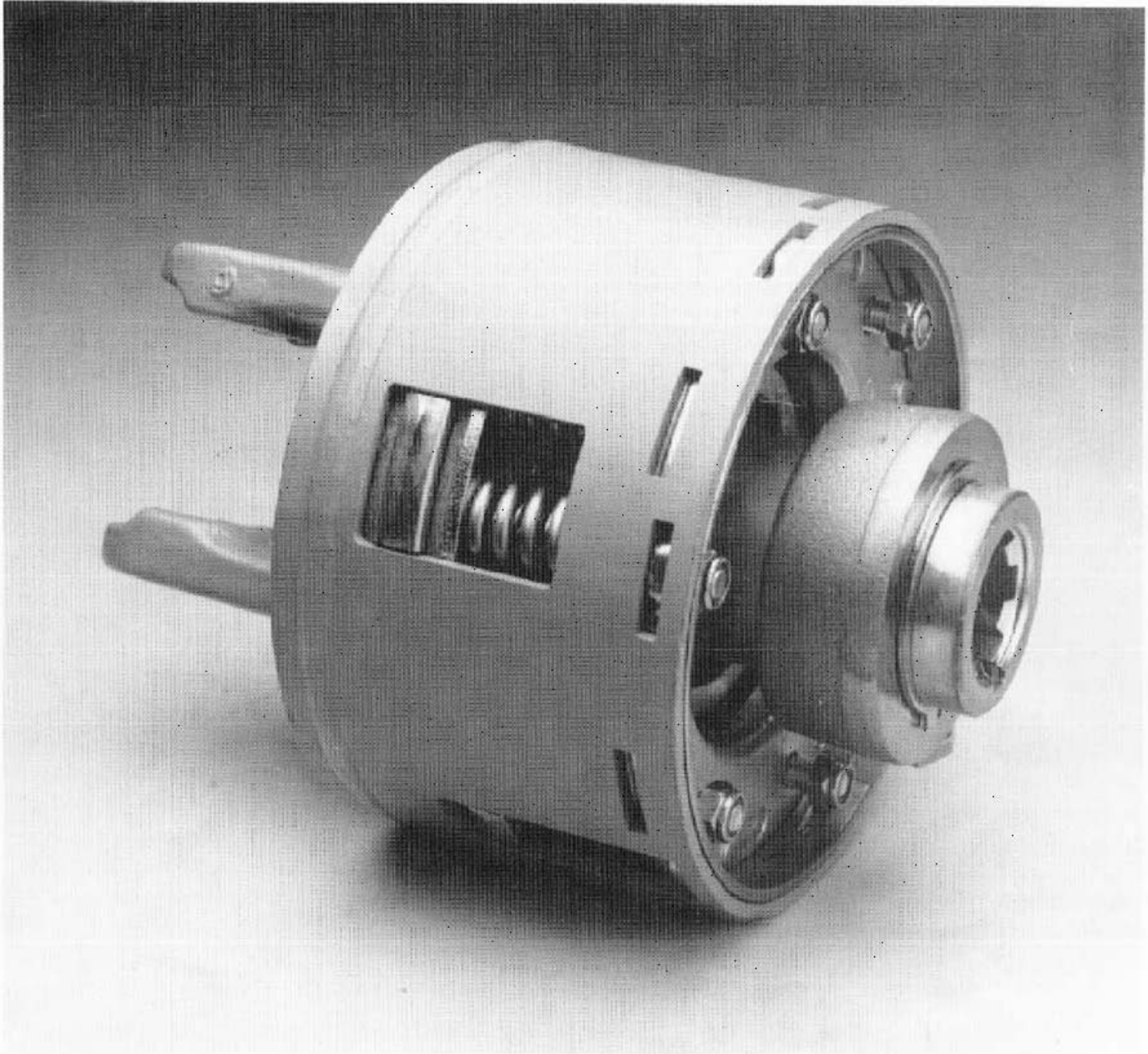
ITEM	PART#	QTY	DESCRIPTION
1	50643	1	YOKE
2	16824	1	ZERK
3	16825	24	BALL
4	50644	1	HOUSING
5	50645	1	HUB 1 3/4" - 20 SPL
6	50646	2	KEY
7	50647	2	LEAF SPRING
8	50648	1	SUPPORTING RING
9	50649	1	RETAINING RING
10	50486	2	CLAMP BRIDGE
11	50485	2	HEX BOLT 16mm x 110mm
12	3149	2	HEX LOCK NUT 16mm
13	3048	1	HEX BOLT 12mm x 60mm
14	3119	1	HEX LOCK NUT 12mm

Parts



Friction clutch

K-97 - K97/4



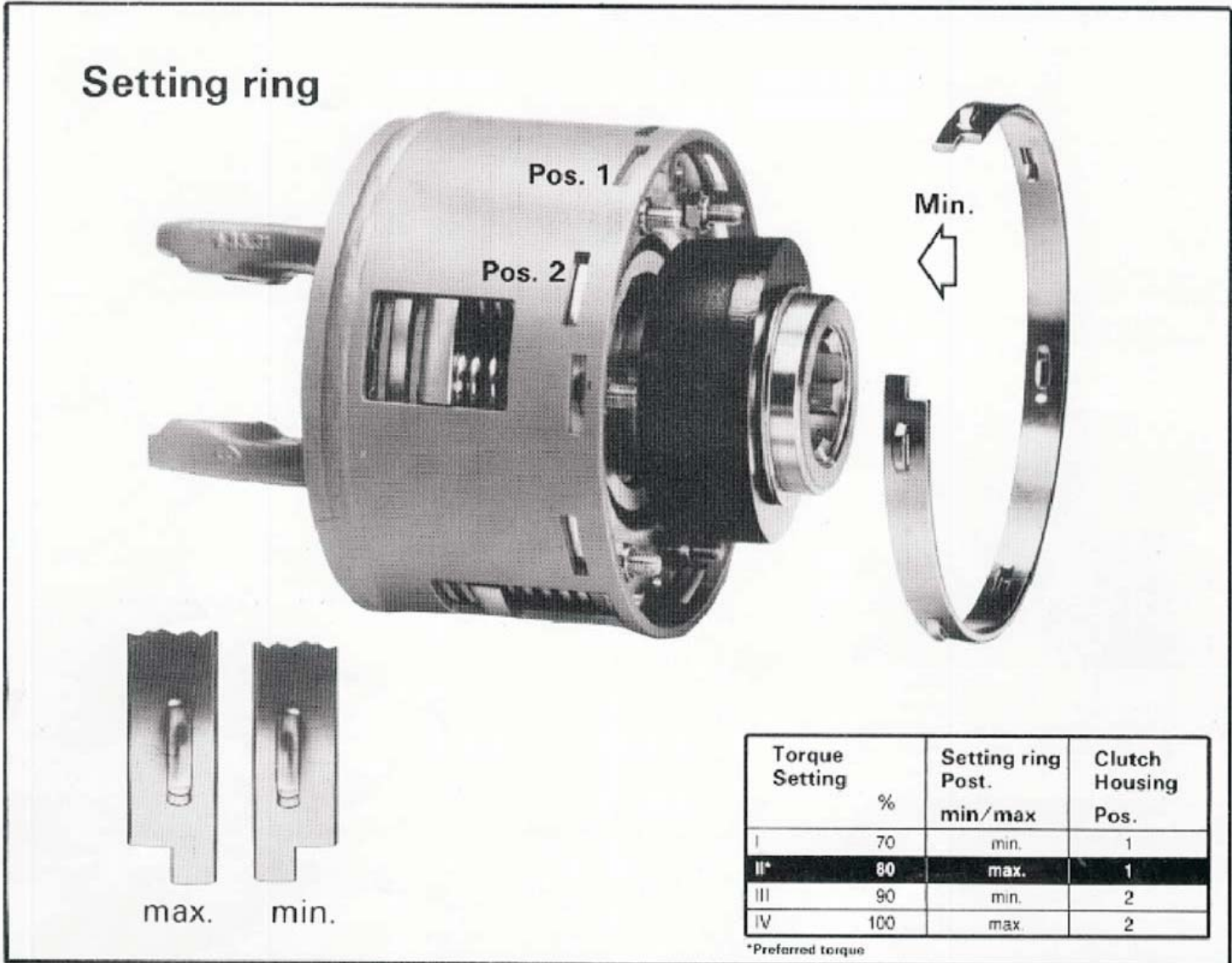
Assembly/Dismantling instructions



NOTE

Proper operation of the friction clutch on this machine requires it to be set at its highest position.

Parts



The torque setting can be modified with the aid of a setting ring and two alternative location slots in the clutch housing.

1. The setting ring provides for a **min.** position and a **max.** position.

2. The clutch housing incorporates two locating positions for the setting ring (1 and 2) which are situated at different levels.

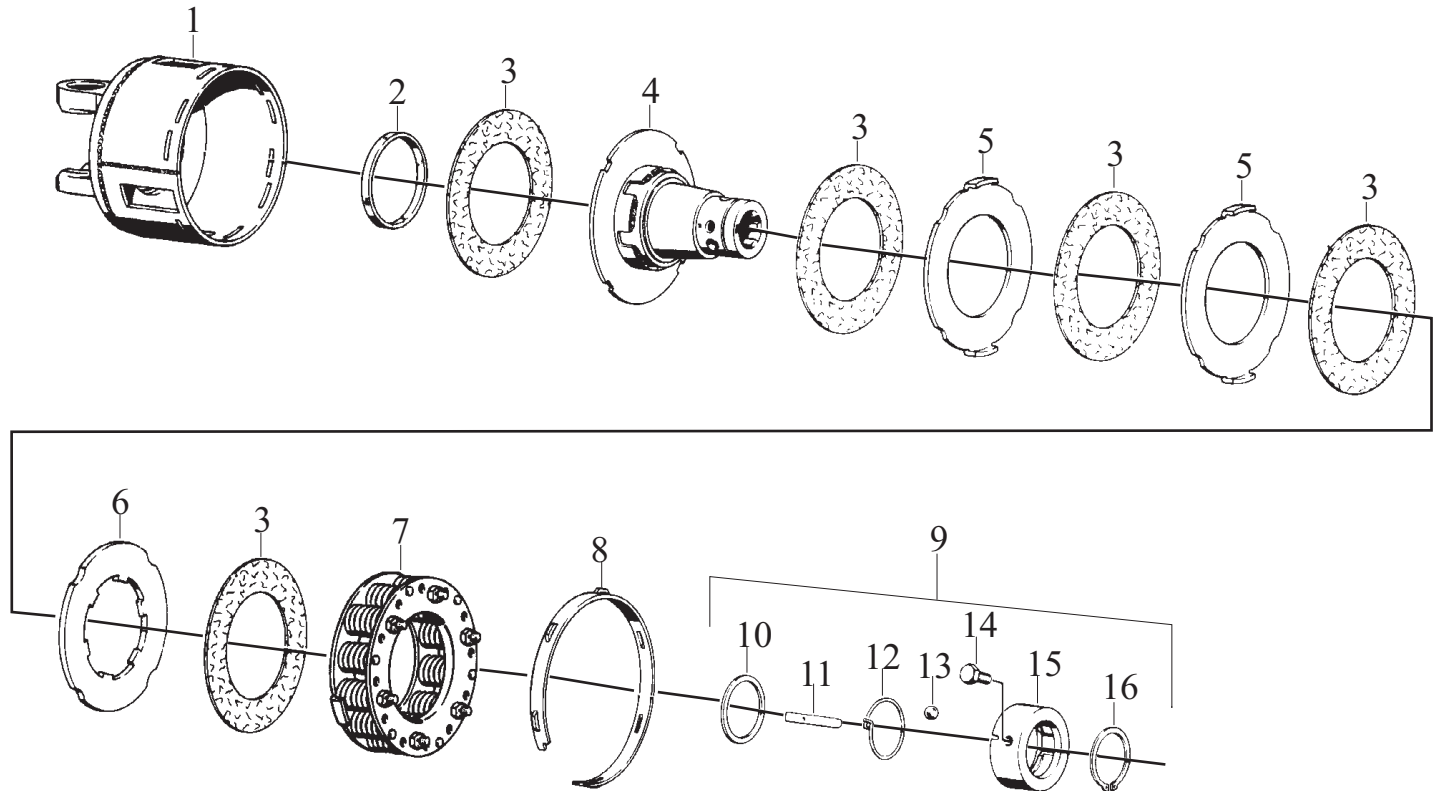
For each power pack **four** torque settings are possible (see table).

The setting ring can only be removed in relieved condition which is obtained by tightening the nuts.

Parts



Friction Clutch K-97 - K97/4

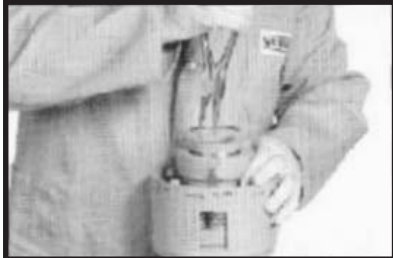


1	Clutch Housing	9	QC-Lock Complete;Size C
2	Ring	10	Washer
3	Friction Disk	11	Clamping Key
4	Flange Hub	12	Torsional Spring
5	Drive Plate	13	Ball
6	Drive Plate	14	Self-Locking Hexagon Screw
7	Spring Pack Assembly	15	Lock Ring
8	Setting Ring	16	Retaining Ring

Parts



Dismantling



1. If so equipped - remove the QC locking collars from the hub.



2. To begin dismantling - mount clutch in a vise and tighten down the 6 nuts in even sequence until the spring pack assembly is loose.



3. Remove the setting ring using a flat blade screwdriver.



4. Lift the spring pack assembly out by lifting it up opposite the locating tab which is on the bottom plate of the spring pack.
NOTE: This tab is located in the narrow slot.



5. Remove flange hub together with friction disks and drive plates. Tilt hub as illustrated and lift out.

Assembly



1. Fit friction disks and drive plates to flange hub in correct sequence as illustrated. One friction disk is mounted in the bottom of the clutch housing along with the fiber hub pilot bearing.



2. Insert the flange hub with friction disks and drive plates into the clutch housing lining up the tabs of the drive plate.



3. Replace spring pack assembly.



4. Replace setting ring to proper location. Noting position window and setting ring to min./max. location.



5. Back off the 6 nuts to the end of the studs. In this position the spring pack is at the pressure controlled by the location of the setting ring.

TANDEM GRAIN CART FRAME WITH 6 WEIGH BARS

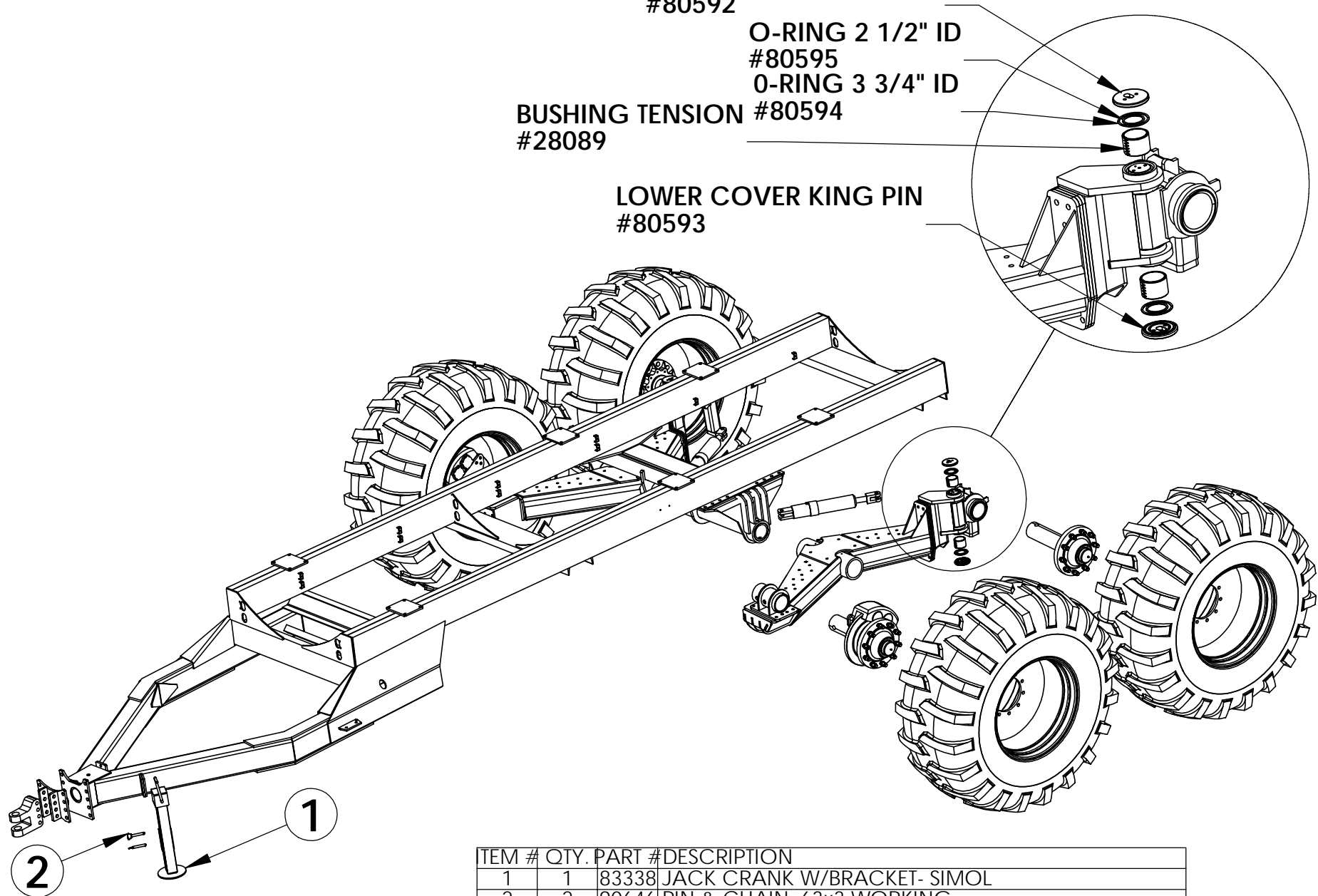
UPPER COVER KING PIN
#80592

O-RING 2 1/2" ID
#80595

O-RING 3 3/4" ID

BUSHING TENSION #80594
#28089

LOWER COVER KING PIN
#80593



ITEM #	QTY.	PART #	DESCRIPTION
1	1	83338	JACK CRANK W/BRACKET- SIMOL
2	2	90646	PIN & CHAIN .63x3 WORKING

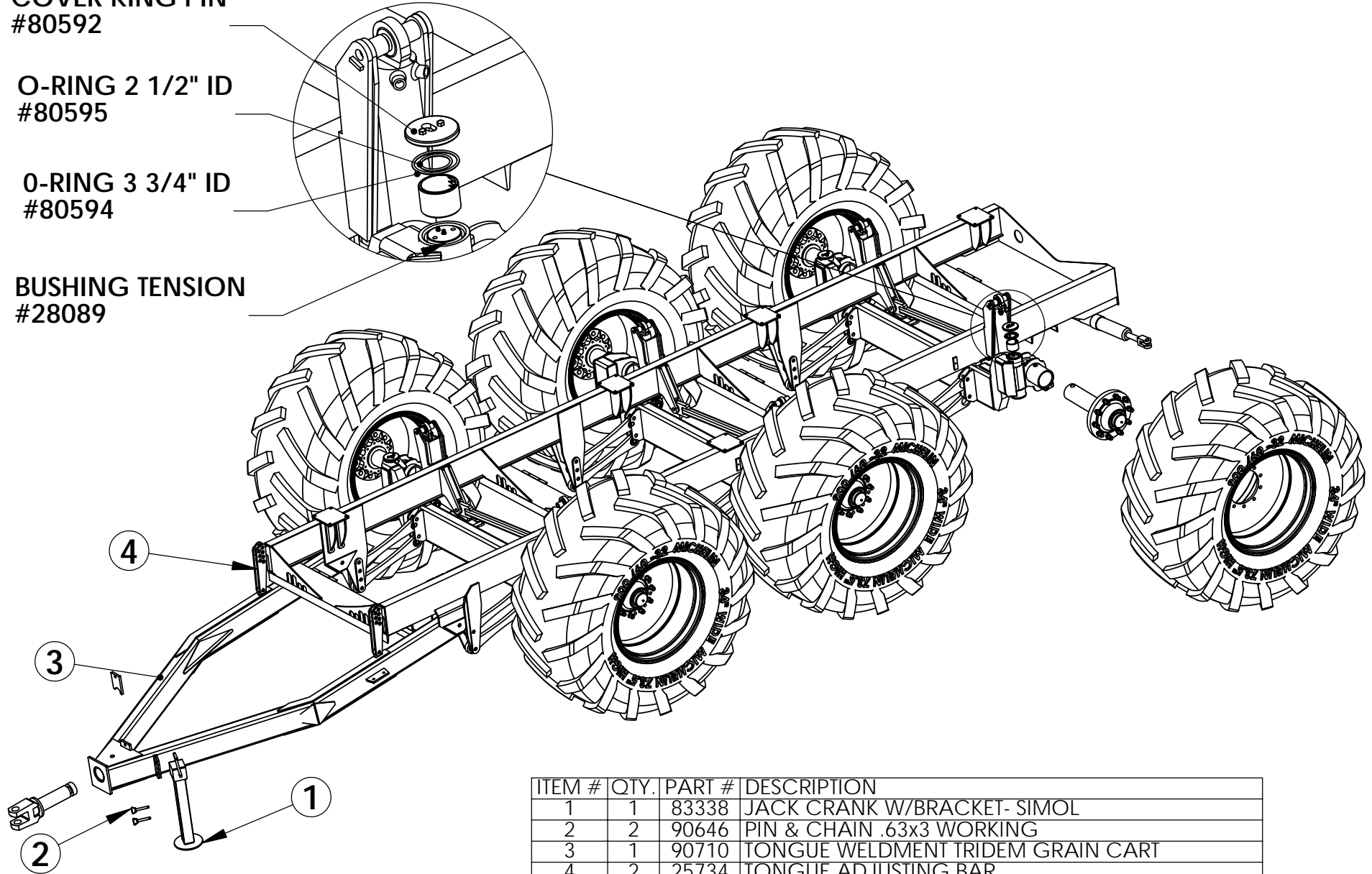
TRIDEM GRAIN CART FRAME WITH 8 WEIGH BARS

COVER KING PIN
#80592

O-RING 2 1/2" ID
#80595

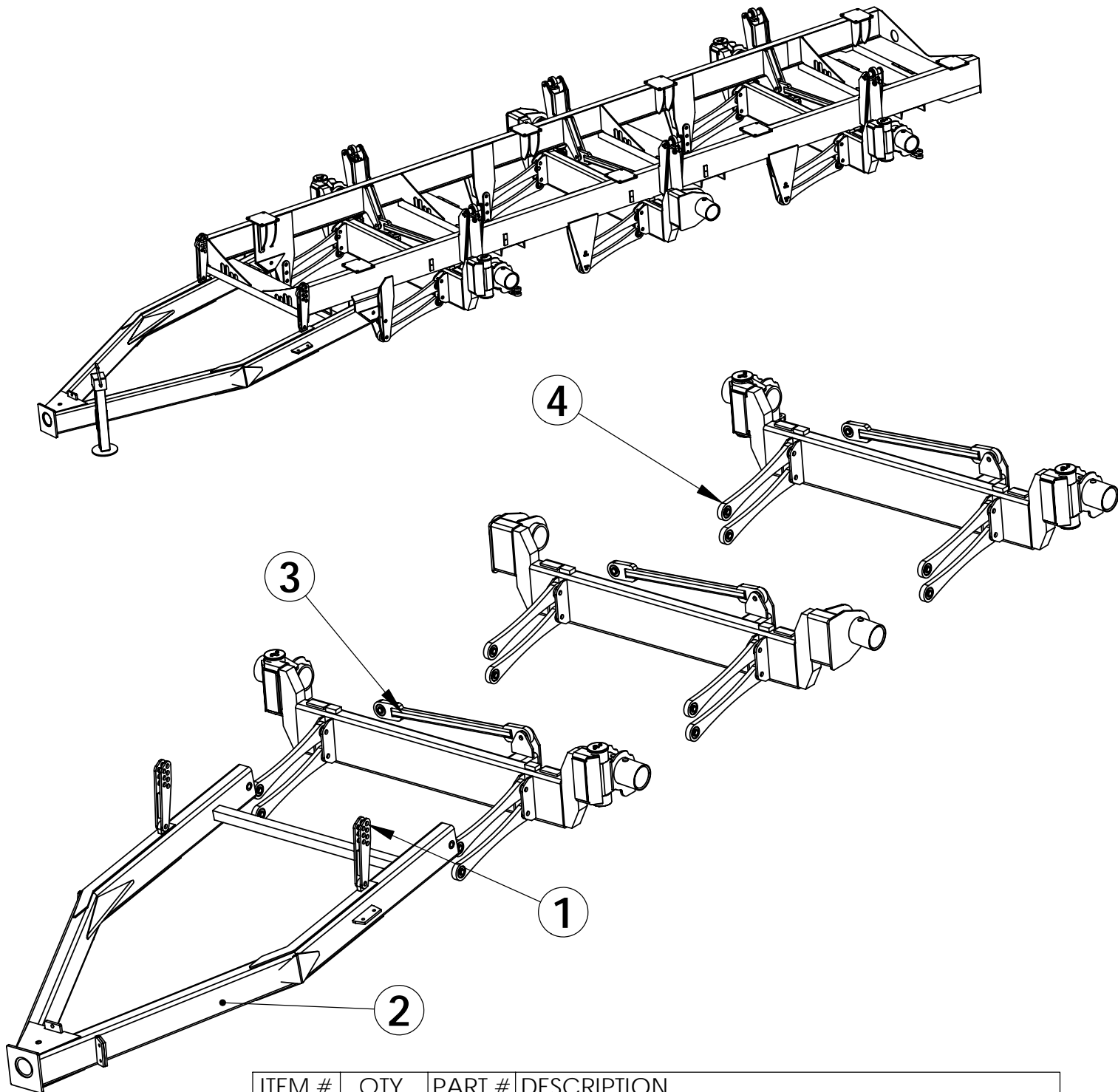
O-RING 3 3/4" ID
#80594

BUSHING TENSION
#28089



ITEM #	QTY.	PART #	DESCRIPTION
1	1	83338	JACK CRANK W/BRACKET- SIMOL
2	2	90646	PIN & CHAIN .63x3 WORKING
3	1	90710	TONGUE WELDMENT TRIDEM GRAIN CART
4	2	25734	TONGUE ADJUSTING BAR

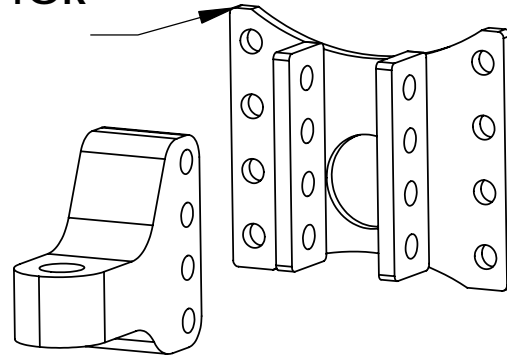
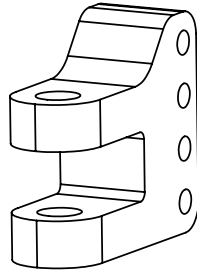
GRAIN CART TRIDEM TONGUE AXLE AND FRAME



ITEM #	QTY.	PART #	DESCRIPTION
1	2	25734	TONGUE ADJUSTING BAR
2	1	90710	TONGUE WELDMENT TRIDEM GRAIN CART
3	3	82484	SWAY BAR - GRAIN CART TRIDEM
4	12	41193	LINKAGE BAR WELDMENT

HITCHES FOR BALZER UNITS

HITCH MOUNT ADAPTOR
#92103

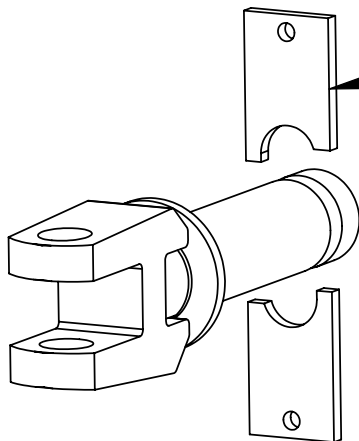


CLEVIS
NON SWIVEL

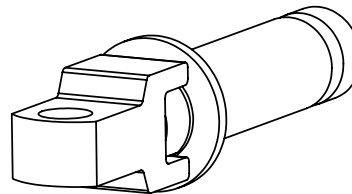
#28388 1.87"-47.5 mm
#25617 2.25"-57 mm

PINTLE
NON SWIVEL

#31963 1.87"-47.5 mm
#31962 2.25"-57 mm



RETAINING PLATE
#91779

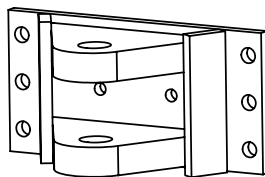


CLEVIS SWIVEL

#71497 1.87"-47.5 mm
#93150 2.25"-57 mm

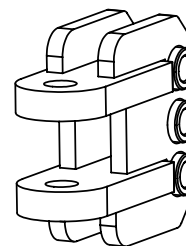
PINTLE SWIVEL

#71489 1.87"-47.5 mm
#91774 2.25"-57 mm



CLEVIS

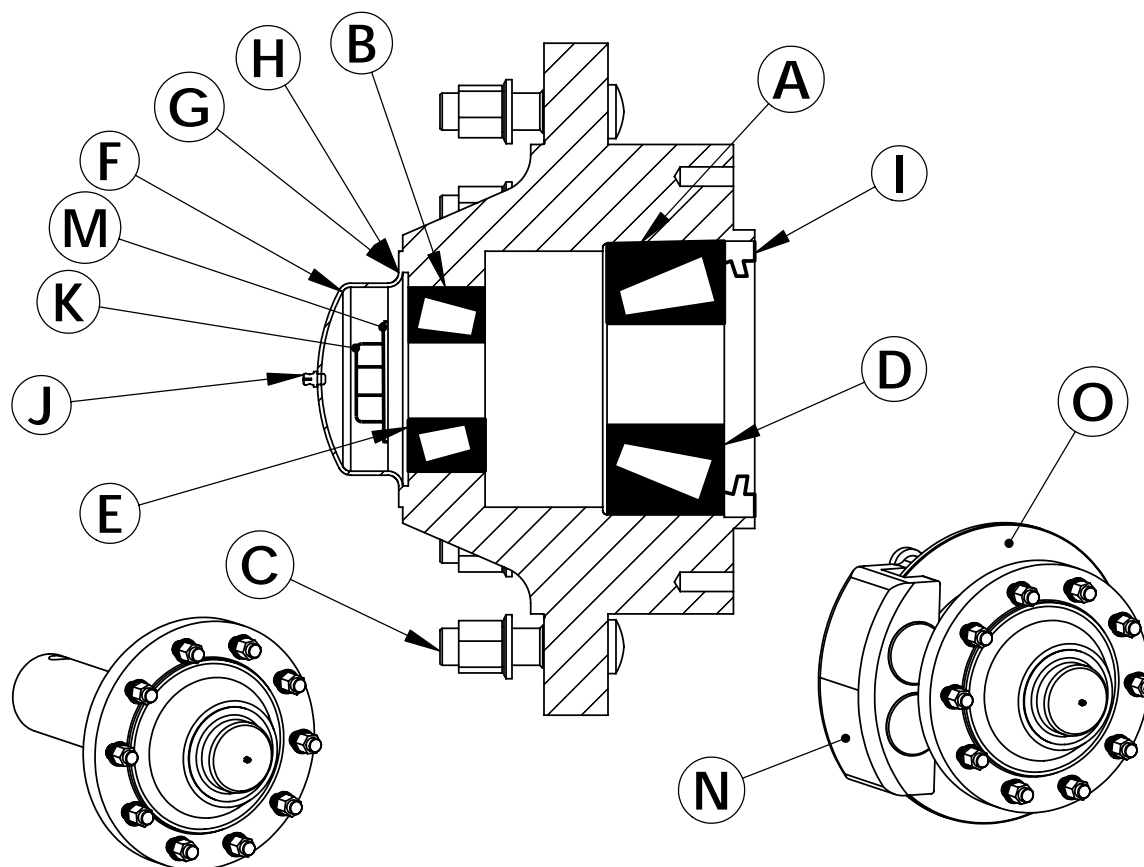
#18268 1.37"-35 mm



CLEVIS

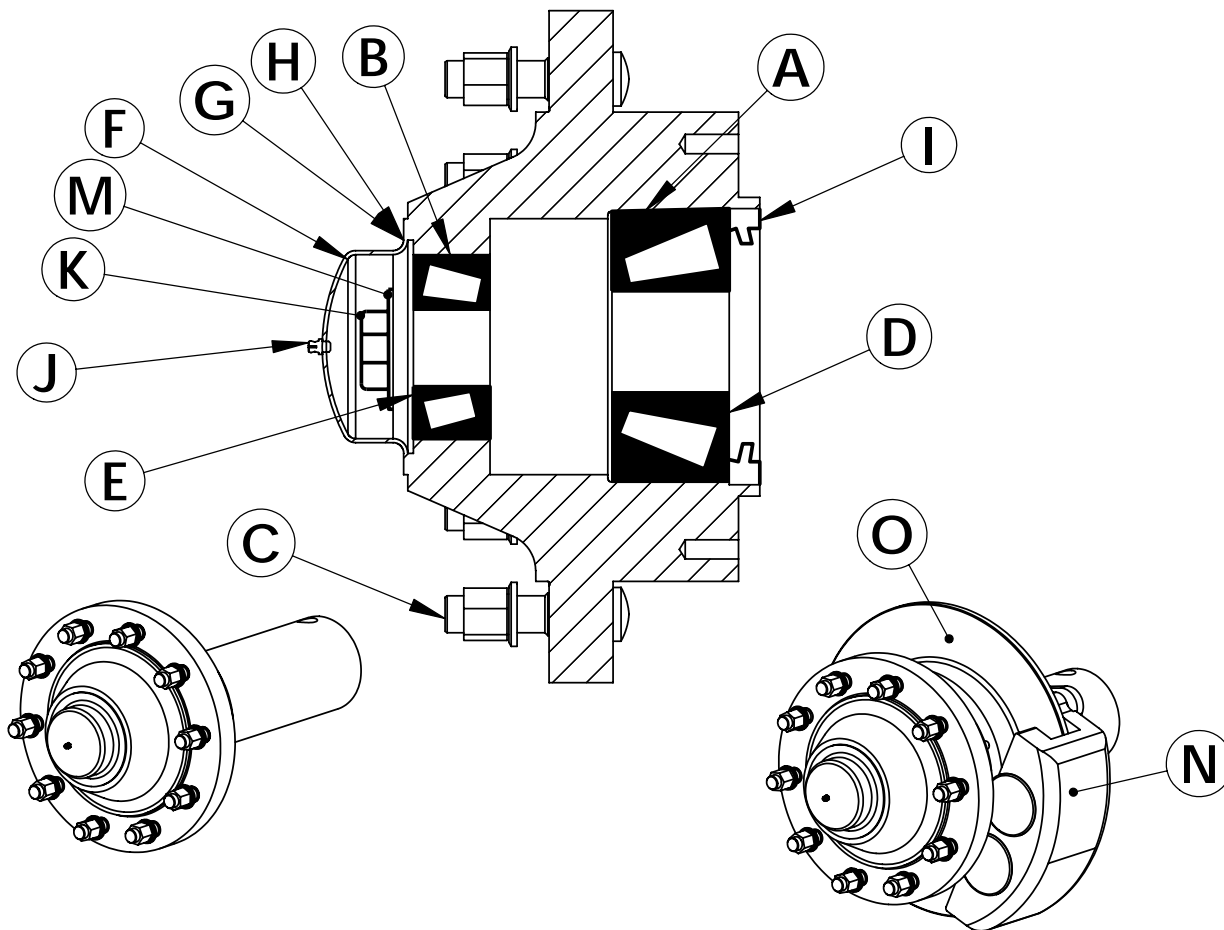
#22335 1.37"-35 mm

HUB AND SPINDLES 5" 10 BOLT 5" SOLID 13.18" BOLT CIRCLE



	DESCRIPTION	10 BOLT 5" ULTRA
	HUB & SPINDLE NO BRAKE	91834
	HUB & SPINDLE BRAKE HUB	91854
	HUB & SPINDLE BRAKE MOUNT	82189
	COMPLETE HUB ASSY	91850
	COMPLETE SPINDLE ASSY	91856
A	INNER TAPPER BEARING CUP	21651
B	OUTER TAPPER BEARING CUP	21652
C	STUDS OR BOLTS	50400
D	INNER TAPPER BEARING CONE	21622
E	OUTER TAPPER BEARING CONE	21621
F	HUB CAP	17149
G	HUB CAP GASKET	17147
H	HUB CAP BOLTS	1181
I	SEAL	50815
J	GREASE ZERK	2291
K	CASTLE NUT	50817
L	COTTER PIN/ROLLPIN	81767
M	FLAT WASHER	11814
N	BRAKE CALIPER	91853
O	BRAKE ROTOR	91859

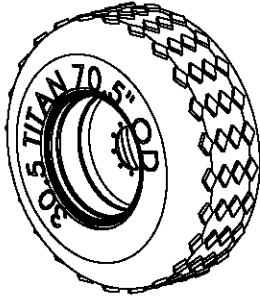
HUB AND SPINDLES 6" 10 BOLT 6 "SOLID 13.18" BOLT CIRCLE



	DESCRIPTION	10 BOLT 6" ULTRA
	HUB & SPINDLE NO BRAKE	91855
	HUB & SPINDLE BRAKE MOUNT	82192
	COMPLETE HUB ASSY	91851
	COMPLETE SPINDLE ASSY	91857
A	INNER TAPPER BEARING CUP	50819
B	OUTER TAPPER BEARING CUP	50820
C	STUDS OR BOLTS	50400
D	INNER TAPPER BEARING CONE	50821
E	OUTER TAPPER BEARING CONE	50822
F	HUB CAP	50823
G	HUB CAP GASKET	50824
H	HUB CAP BOLTS	1181
I	SEAL	50825
J	GREASE ZERK	2291
K	CASTLE NUT	50827
L	COTTER PIN/ROLLPIN	1953
M	FLAT WASHER	50828
N	BRAKE CALIPER	91853
O	BRAKE ROTOR	91858

TIRE ASSEMBLIES

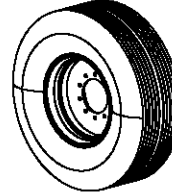
DIAMOND R3



LUG R1

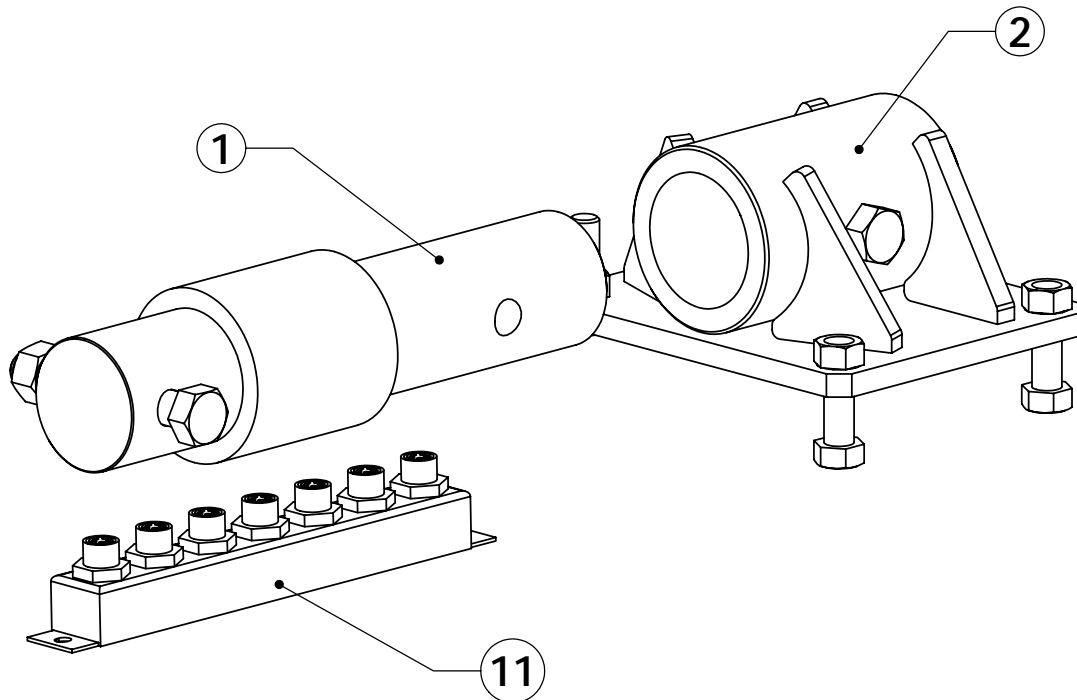


RIBBED



TIRE/ RIM	TIRE / RIM #	TIRE #	RIM #	TIRE PRESSURE
12 X3 RIBBED	18076			
18.5 - 4 BOLT - 5.50"BC	17511	17512	17513	
20.5 x 8 - 5 BOLT - 4.50"BC	26737	26733	26734	
P205/75R15 - 5 BOLT - 6.00"BC	31530		31529	
14 x 7.5 - 6 BOLT	27889			
11L x 15 - 8 PLY - 6 BOLT	31006			
9.5L x 15 - 8 PLY - 6 BOLT	65670		65671	
15 x 22.5 SUPER RIGR - 8 BOLT - 8.00" BC	62061	92390	92391	
15 x 22.5 SUPER RIGR - 10 BOLT - 11.25" BC	65561	92390	65562	
18.4 x 26 R3 - 10 BOLT - 11.25" BC	20283	20284	20285	23
18.4 x 26 R3 - 10 BOLT - 13.19" BC	28205	20284	27676	23
21.5 x 16.1 RIBBED - 8 BOLT - 8.00" BC - 18.00" WHEEL	26633	11472	26634	32
21.5 x 16.1 RIBBED - 10 BOLT - 11.25" BC - 18.00" WHEEL	90128	31432	90129	32
23.1 x 26 R3 - 10 BOLT - 11.25"BC	18531	16515	16516	32
23.1 x 26 R3 - 10 BOLT - 13.19"BC	28796	16515	28797	32
28L x 26 R3 - 10 BOLT - 11.25"BC	17610	17611	17612	26
28L x 26 R3 - 10 BOLT - 13.19"BC	28386	17611	28387	26
28LR26 R3 - 10 BOLT - 13.19"BC	91882	92639	28387	54
30.5 x 32 R1 - 10 BOLT -13.19"BC	91340	91341	27385	33
30.5 x 32 R3 - 10 BOLT -13.19"BC	27674	22692	27385	33
30.5LR32 R1 - 10 BOLT -13.19"BC	91586	94587	27385	52
30.5LR32 R3 - 10 BOLT -13.19"BC	92640	92641	27385	52
445/65 R22.5 L1 8 BOLT - 8.00"BC	83780	91889	20033	
445/65 R22.5 L1 10 BOLT - 11.25"BC	14246	91889	91884	
445/65 R22.5 L1 10 BOLT - 13.19"BC	92880	91889	92881	
600/50 22.5 - 8 BOLT - 8.00"BC	91777	25551	91888	38
600/50 22.5 - 10 BOLT - 11.25"BC	25550	25551	25552	38
850/50 30.5 - 10 BOLT - 11.25"BC	29978	40977	29999	37
850/50 30.5 - 10 BOLT - 11.25"BC - 8 PLY	91128	91129	29999	37
850/50 30.5 - 10 BOLT - 13.19"BC - 10 PLY	40976	40977	40978	37
900/60 32 R1 - 10 BOLT - 13.25"BC - 0" OFFSET	91900	91901	27385	35

WEIGH BAR ASSEMBLY

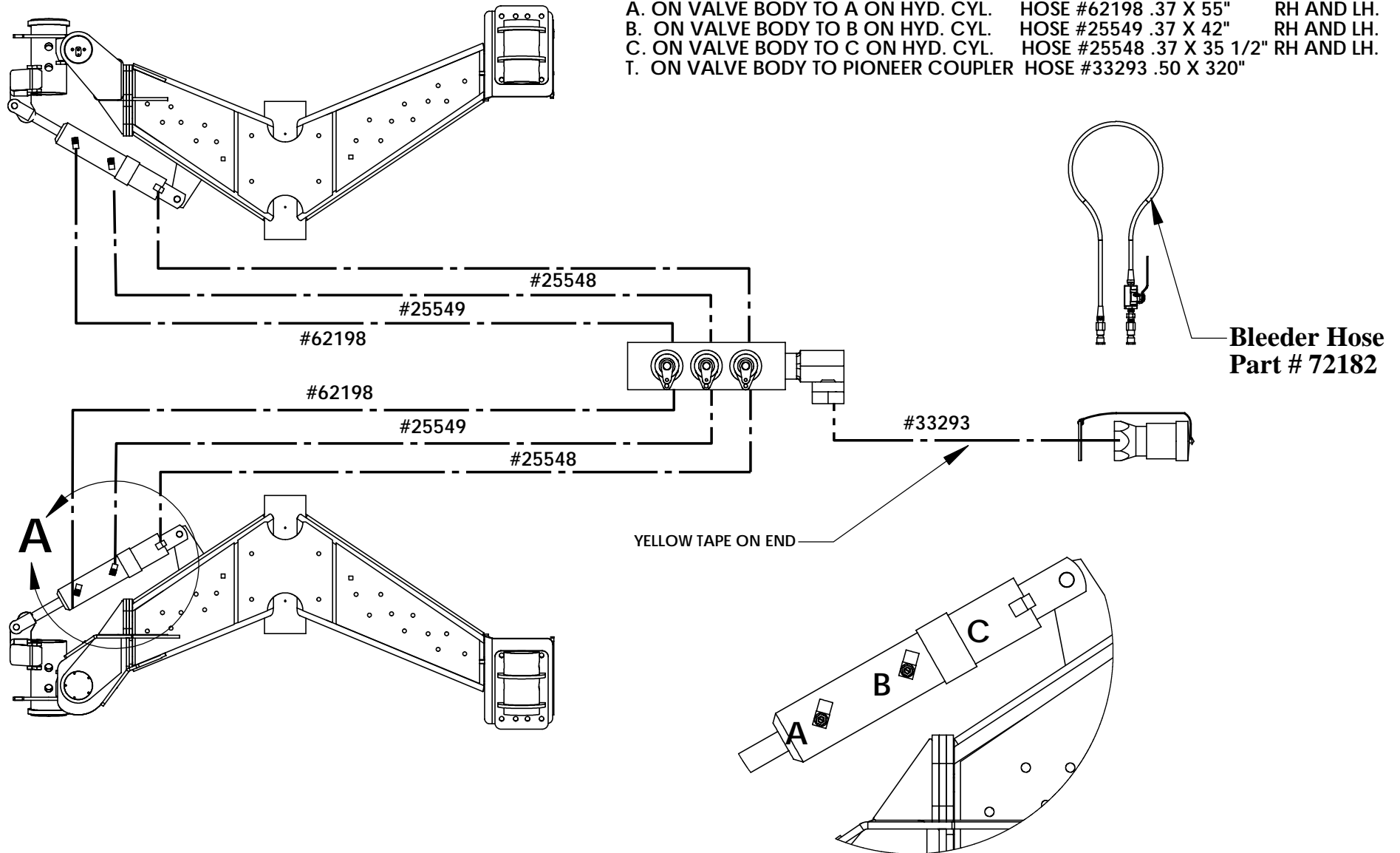


ITEM #	QTY.	PART #	DESCRIPTION
1	1	84544	WEIGH BAR
2	1	84513	MOUNTING BRACKET, LONG SHAFT
3	4	2546	NUT TOP LOCK .62" UNC
4	4	1291	BOLT HEXHEAD .62" x 2" UNC GR5
5	2	2593	NUT TOPLOCK .75" UNC
6	2	1320	BOLT HEXHEAD .75" x 5" UNC GRD5
7	1	37694	BRACKET FOR INDICATOR MOUNT
8	1	37693	POWER CABLE ASSEMBLY
9	1	84543	INDICATOR 640M
10	1	84542	CABLE ASSEMBLY 50' LONG J-BOX to MONITOR
11	1	84541	J-BOX ASSEMBLY

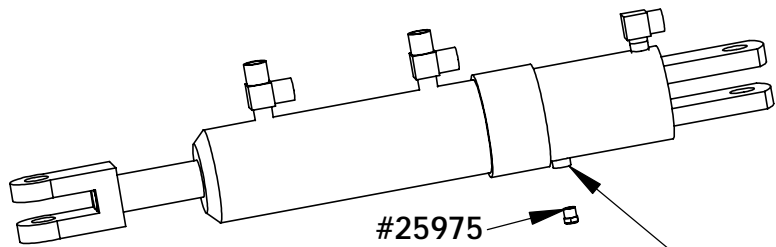
HYD STEERING TANDEM

HOSE DESCRIPTIONS

- A. ON VALVE BODY TO A ON HYD. CYL. HOSE #62198 .37 X 55" RH AND LH.
- B. ON VALVE BODY TO B ON HYD. CYL. HOSE #25549 .37 X 42" RH AND LH.
- C. ON VALVE BODY TO C ON HYD. CYL. HOSE #25548 .37 X 35 1/2" RH AND LH.
- T. ON VALVE BODY TO PIONEER COUPLER HOSE #33293 .50 X 320"

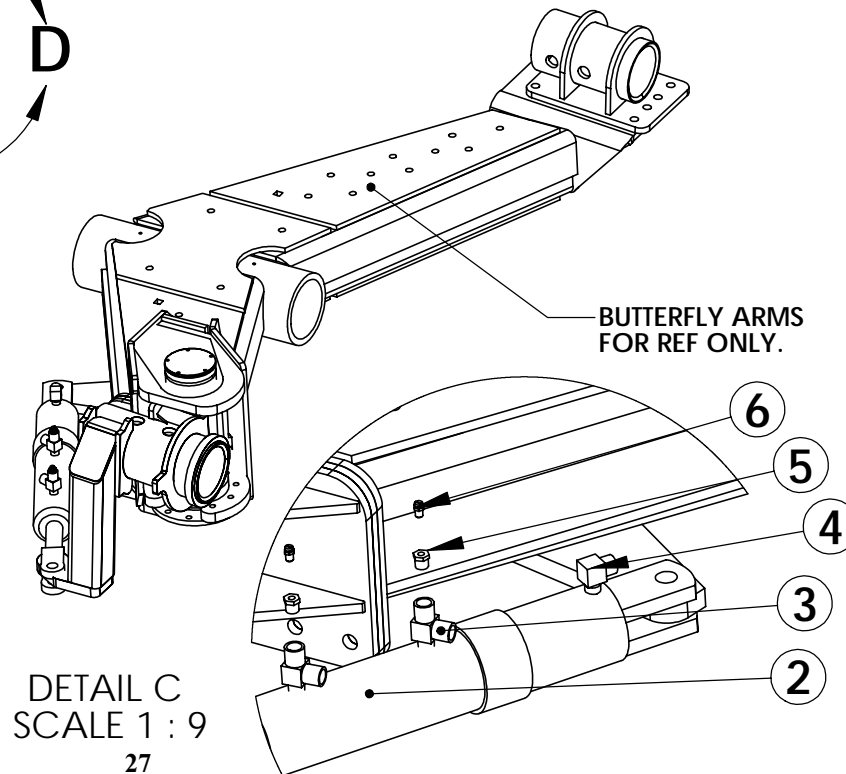
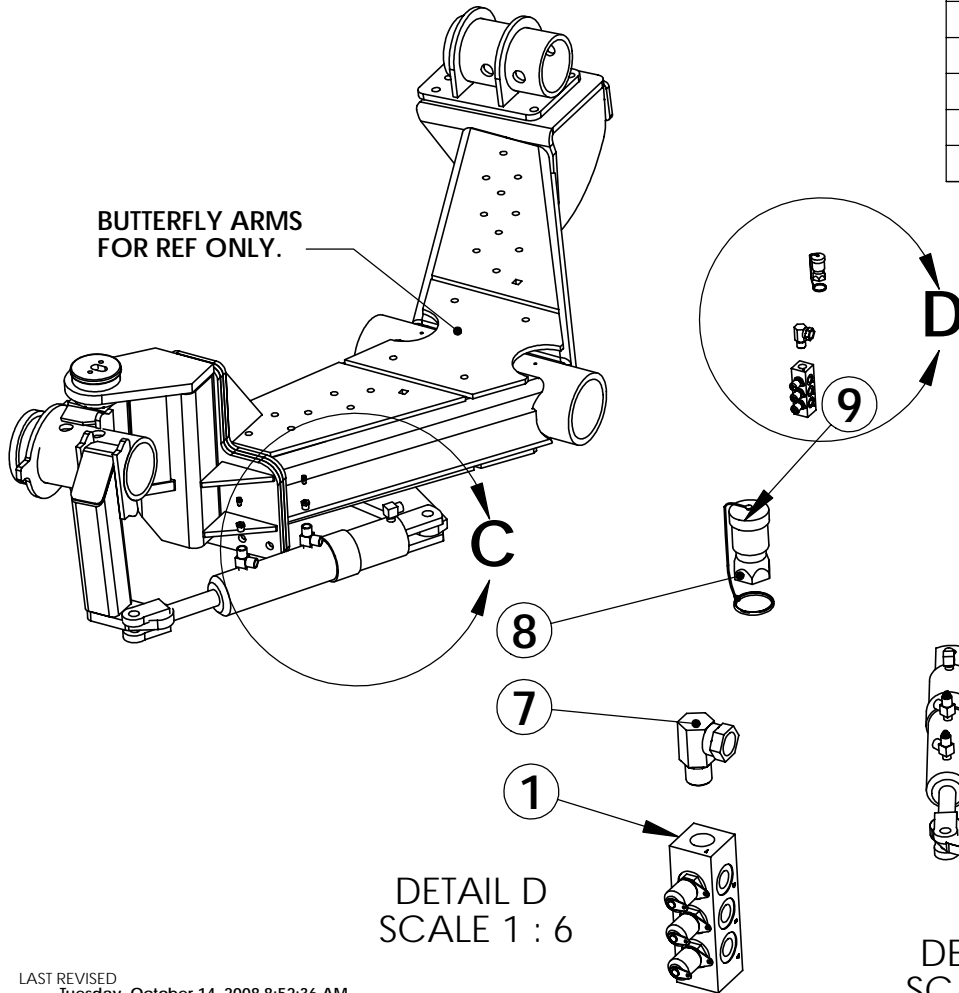


HYD STEERING TANDEM

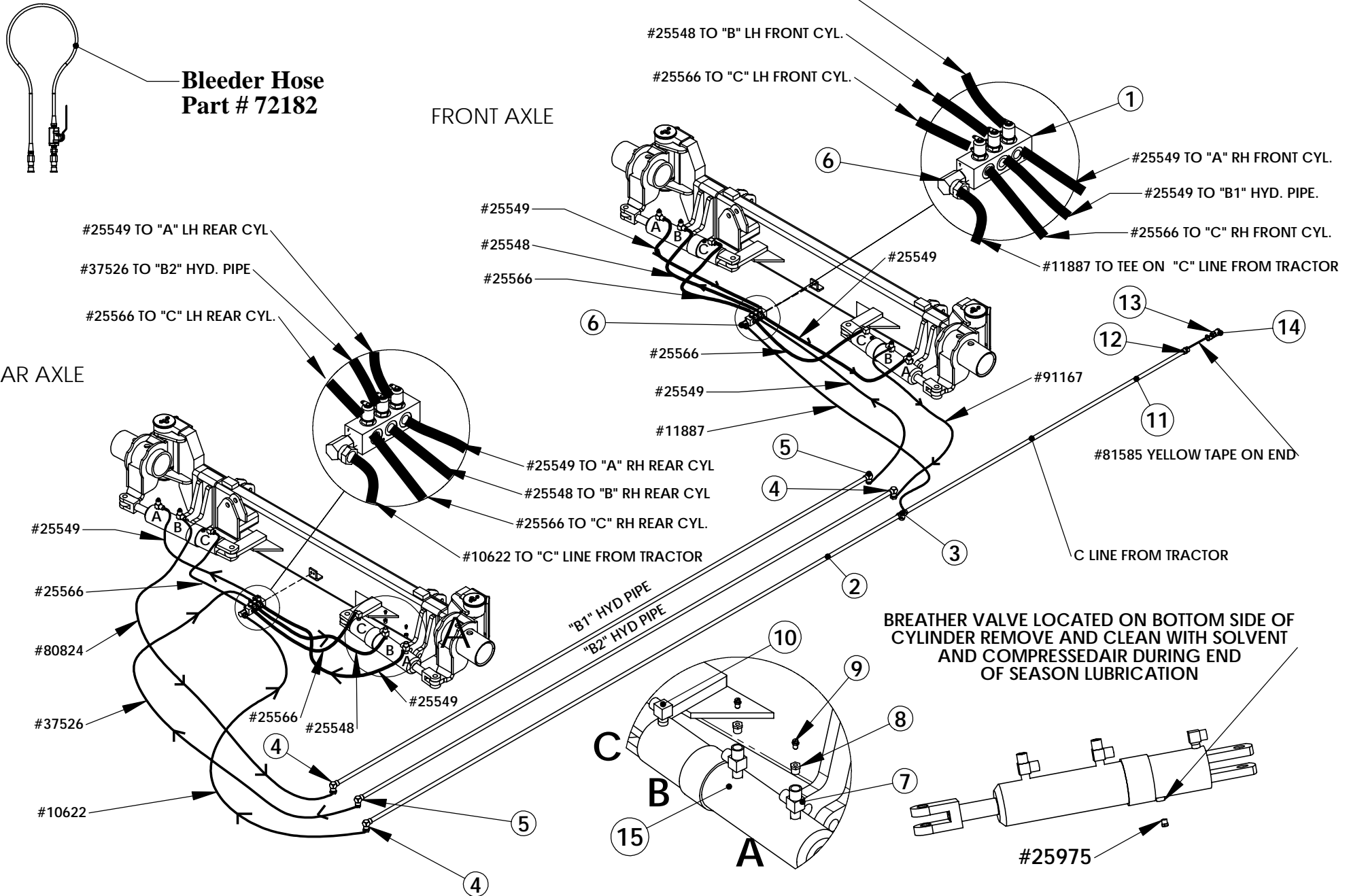


BREATHER VALVE LOCATED ON BOTTOM SIDE OF CYLINDER REMOVE AND CLEAN WITH SOLVENT AND COMPRESSED AIR DURING END OF SEASON LUBRICATION

ITEM #	QTY.	PART #	DESCRIPTION
1	1	37520	HYD BLOCK STEER W/3 1620TEST FTGS
2	2	40761	HYD CYL BOREX STROKEX ROD- STEERING
3	4	25372	HYD TEE .37NPTMX .37NPTFMX .37NPTFM (5602-6)
4	2	8216	HYD ELBOW .37NPTMX .37NPTFM 90DEG (5502-6)
5	4	25467	HYD REDUCER .12NPTFMX .37NPTM (5406-6-2)
6	4	25466	HYD PLUG BLEEDER .12" NPTM
7	1	33166	HYD ELBOW .50NPTMX .50NPTFMS 90DEG (1501-8-8)
8	1	11023	HYD MISC PIONEER MALE / .50NPTFM (S71-4)
9	1	28392	HYD MISC PIONEER DUST CAP (S49-4)
10	1	33293	HYD HOSE .50X .50NPTMX .50NPTMSX 320"LG
11	2	62198	HYD HOSE .37X .37NPTMX .56ORMSX 37"LG
12	2	25548	HYD HOSE .37X .37NPTMX .56ORMSX 35"LG
13	2	25549	HYD HOSE .37X .37NPTMX .56ORMSX 42"LG
14	1	84111	80" BUTTERFLY ARMS LH, 5" SOLID SP,
15	1	84110	80" BUTTERFLY ARM RH , 5" SOLID SP



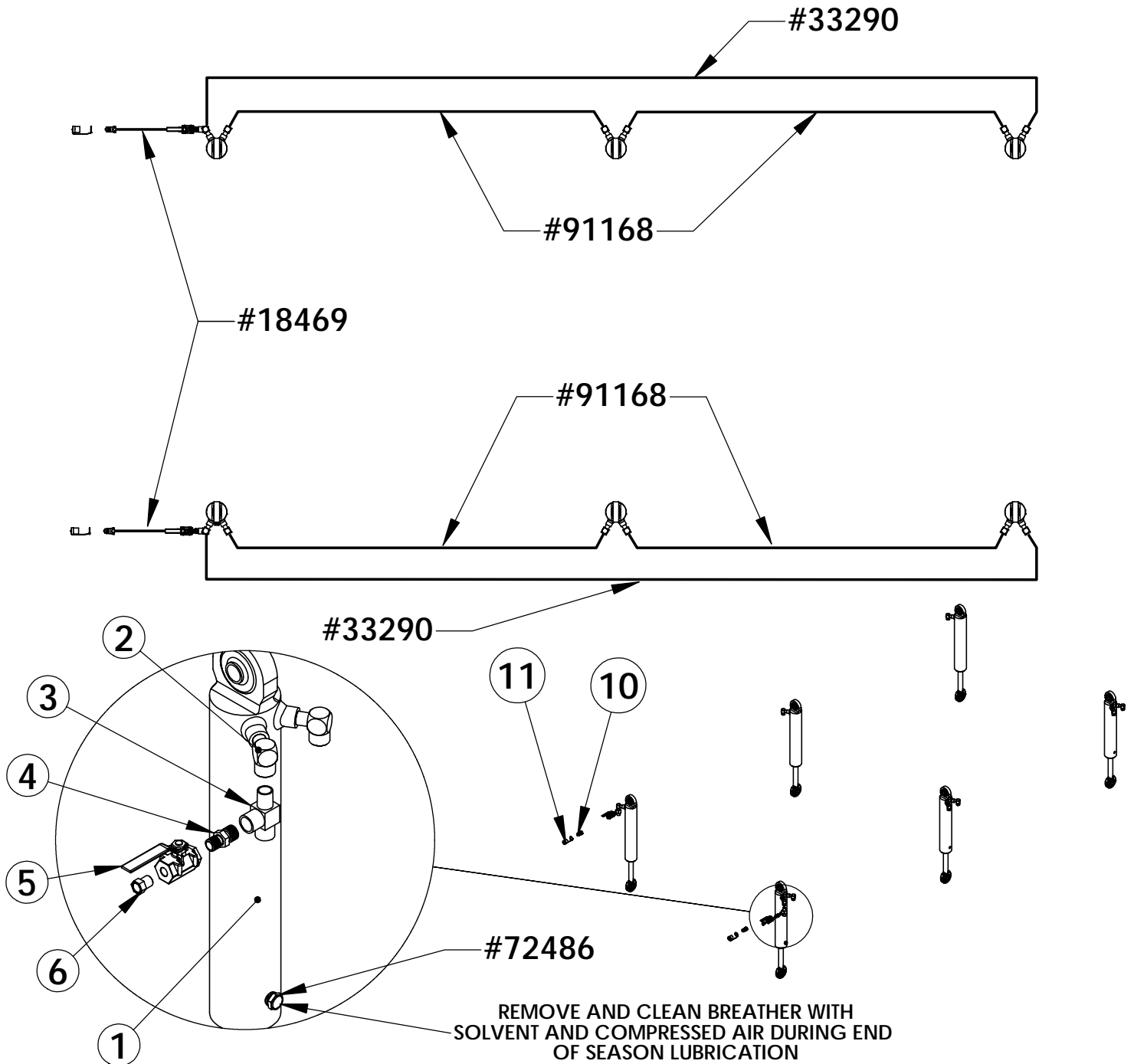
HYD STEERING TRIDEM



HYD STEERING TRIDEM

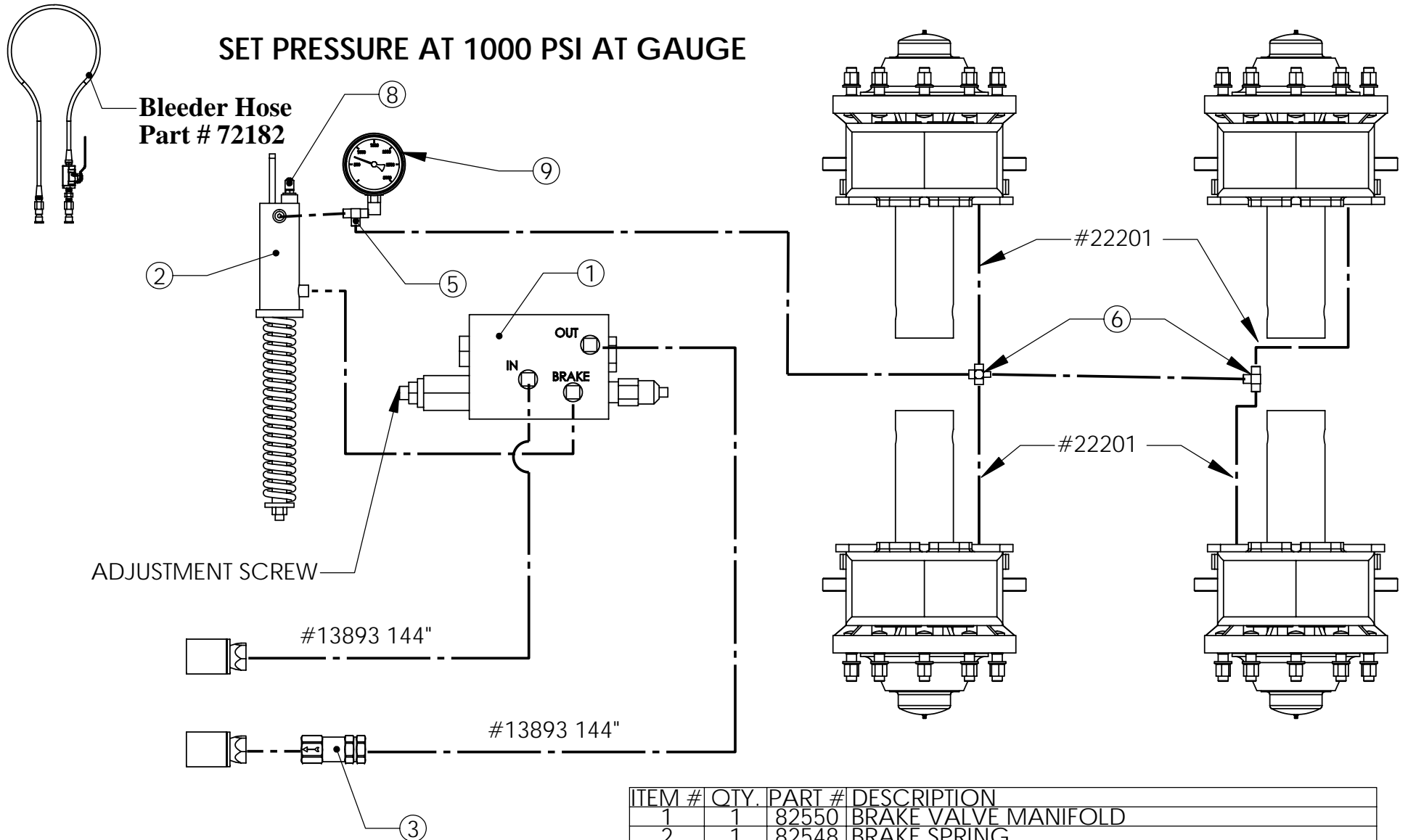
ITEM #	QTY.	PART #	DESCRIPTION
1	2	37520	HYD BLOCK STEER W/3 1620TEST FTGS
2	3	P0.5X080X180	P0.5X080X180"
3	1	8603	HYD TEE .50NPTFMX .50NPTFMX .50NPTFM (5605-8)
4	3	71704	HYD ELBOW .50NPTFMX .50NPTFMS 90DEG (1502 8-8)
5	2	71703	HYD ELBOW .37NPTFMSX .50NPTFM 90DEG (1502-8-6)
6	2	33166	HYD ELBOW .50NPTMX .50NPTFMS 90DEG (1501-8-8)
7	8	25372	HYD TEE .37NPTMX .37NPTFMX .37NPTFM (5602-6)
8	8	25467	HYD REDUCER .12NPTFMX .37NPTM (5406-6-2)
9	8	25466	HYD PLUG BLEEDER .12" NPTM
10	4	8216	HYD ELBOW .37NPTMX .37NPTFM 90DEG (5502-6)
11	1	P0.5X080X84	P0.5X080X160"
12	1	8599	HYD COUPLER .50NPTFMX .50NPTFM (5000-8)
13	1	11023	HYD MISC PIONEER MALE / .50NPTFM (S71-4)
14	1	28392	HYD MISC PIONEER DUST CAP (S49-4)
15	4	40761	HYD CYL BOREX STROKEX ROD- STEERING
16	4	25566	HYD HOSE .37X .37NPTMX .56ORMSX 29"LG
17	5	25549	HYD HOSE .37X .37NPTMX .56ORMSX 42"LG
18	2	25548	HYD HOSE .37X .37NPTMX .56ORMSX 35"LG
19	1	11887	HYD HOSE .50X .50NPTMX .50NPTMSX 39"LG
20	1	91167	HYD HOSE .50X .37NPTMSX .50NPTMX 29"LG
21	1	81585	HYD HOSE .50X .50NPTMX .50NPTMSX 150"LG
22	1	10622	HYD HOSE .50X .50NPTMX .50 NPTMSX 39"LG
23	1	80824	HYD HOSE .37X .37NPTMX .50NPTMX 72"LG
24	1	37526	HYD HOSE .37X .37NPTMX .56ORMSX 72"LG

HYD LOAD LEVELING TRIDEM



ITEM #	QTY	PART #	DESCRIPTION
1	6	41571	HYD CYLINDER 3.50" x 16"
2	12	8613	HYD ELBOW .50NPTMX .50NPTFM 90 DEG (5502-8)
3	2	11543	HYD TEE .50NPTMX .50NPTFMX .50NPTFM (5602-8)
4	2	21181	HYD NIPPLE .37NPTMX .50NPTM (5404-8-6)
5	2	25470	HYD BALL VALVE .37" NPTM
6	2	9862	HYD REDUCER .25" NPTFM x .37" NPTM (5406-6-4)
7	4	91168	HYD HOSE .50X .50NPTMX .50NPTMSX 105"LG
8	2	33290	HYD HOSE .50X .50NPTMX .50NPTMSX 200"LG
9	2	18469	HYD HOSE .25X .25NPTMSX .50NPTMX 290"LG.
10	2	11023	HYD MISC PIONEER MALE / .50NPTFM (S71-4)
11	2	28392	HYD MISC PIONEER DUST CAP (S49-4)

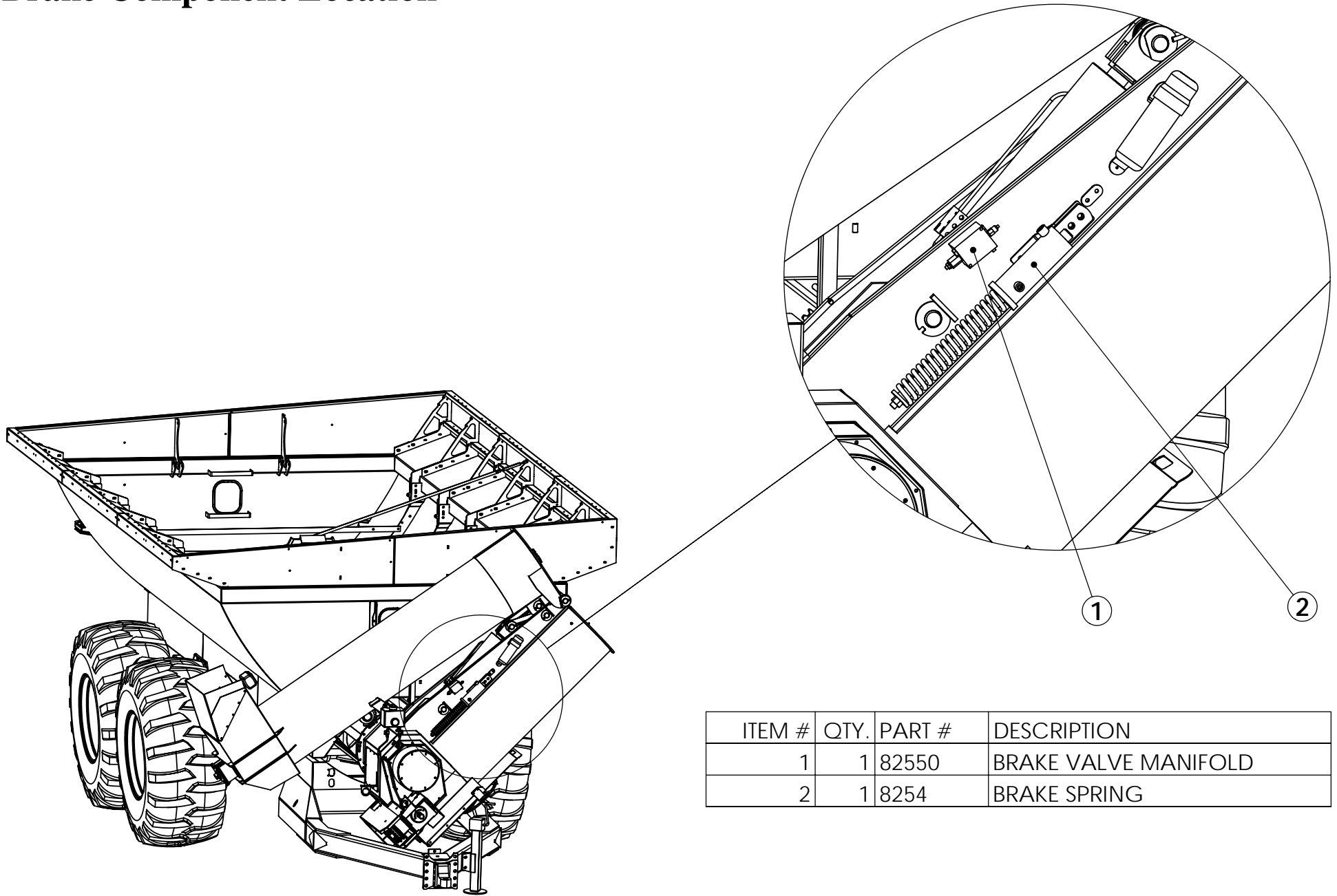
HYD BRAKE RETURN



ITEM #	QTY.	PART #	DESCRIPTION
1	1	82550	BRAKE VALVE MANIFOLD
2	1	82548	BRAKE SPRING
3	1	10459	HYD VALVE CHECK .50" NPTFM x .50" NPTFM
5	2	9957	TEE .25FP x .25FP x .25FP
6	1	36069	CROSS (3).25FPx (1).25FP (5655-4)
7	2	8634	COUPLER QUICK .5NPT M&F SET
8	1	37521	FITTING TST PNT w/ METAL CAP
9	1	8638	GAUGE PRESSURE

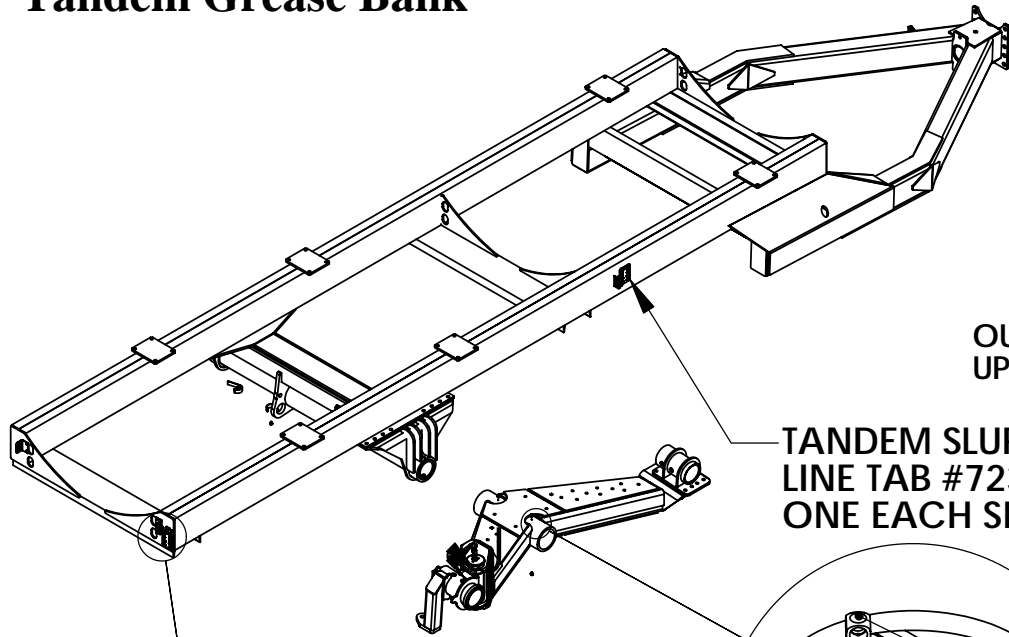
Parts

Brake Component Location



ITEM #	QTY.	PART #	DESCRIPTION
1	1	82550	BRAKE VALVE MANIFOLD
2	1	8254	BRAKE SPRING

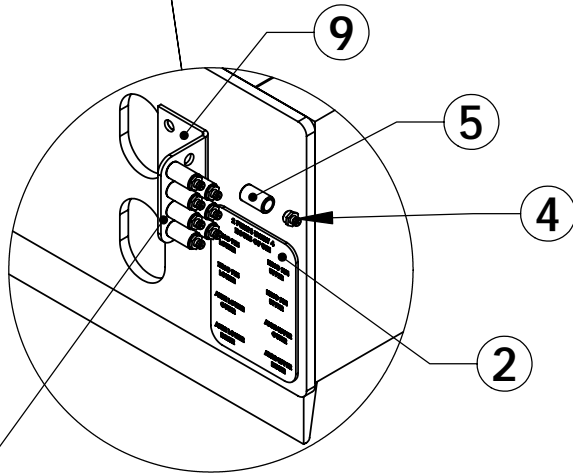
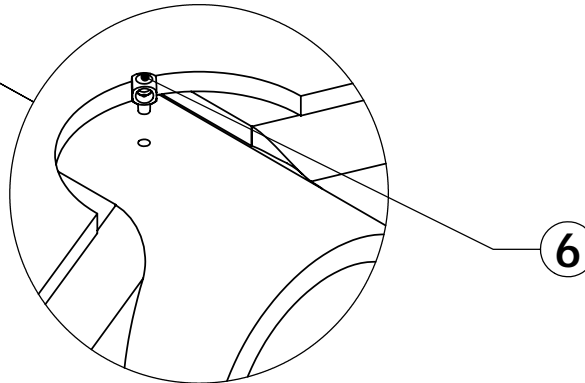
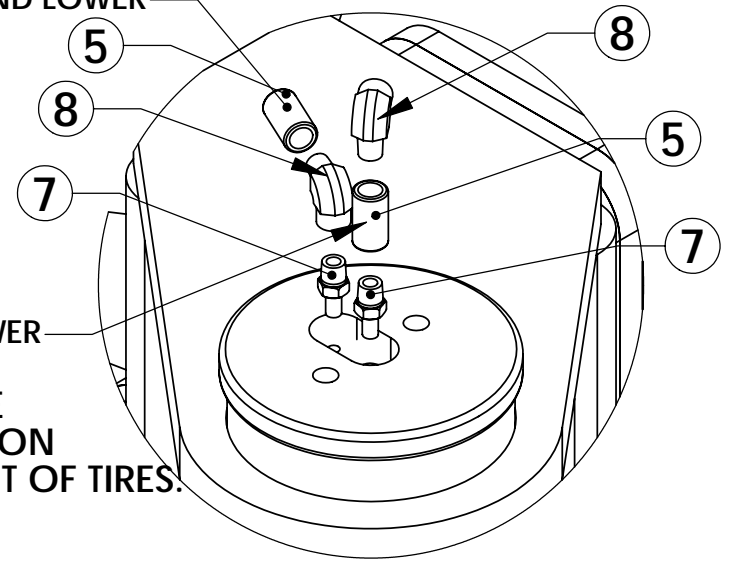
Tandem Grease Bank



INNER KINGPIN
UPPER AND LOWER

OUTER KINGPIN
UPPER AND LOWER

TANDEM SLURRY GREASE
LINE TAB #72333 LOCATION
ONE EACH SIDE IN FRONT OF TIRES.



TANDEM GRAIN CART GREASE
LINE TAB #72334 LOCATION
ONE EACH SIDE REAR.

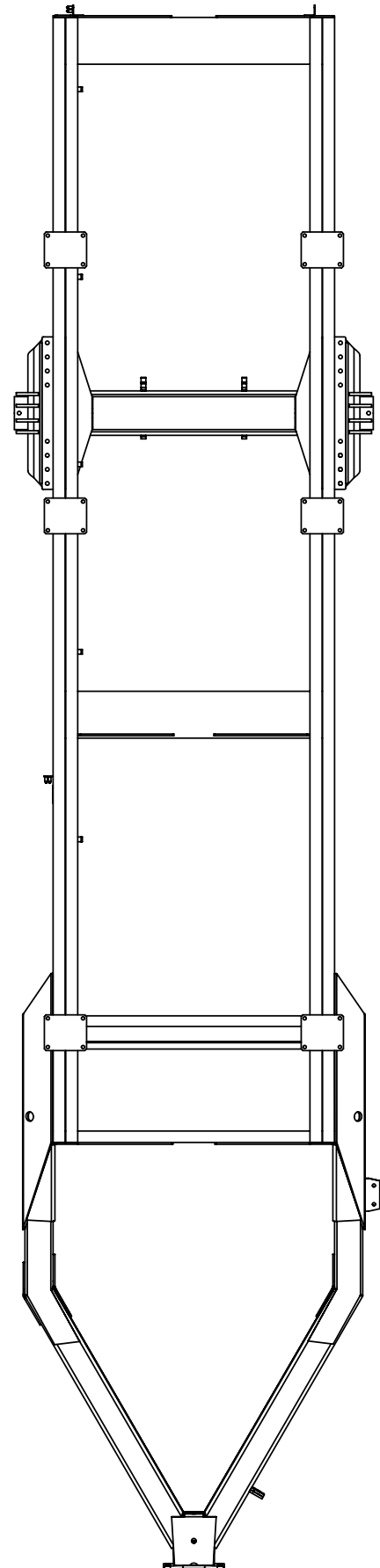
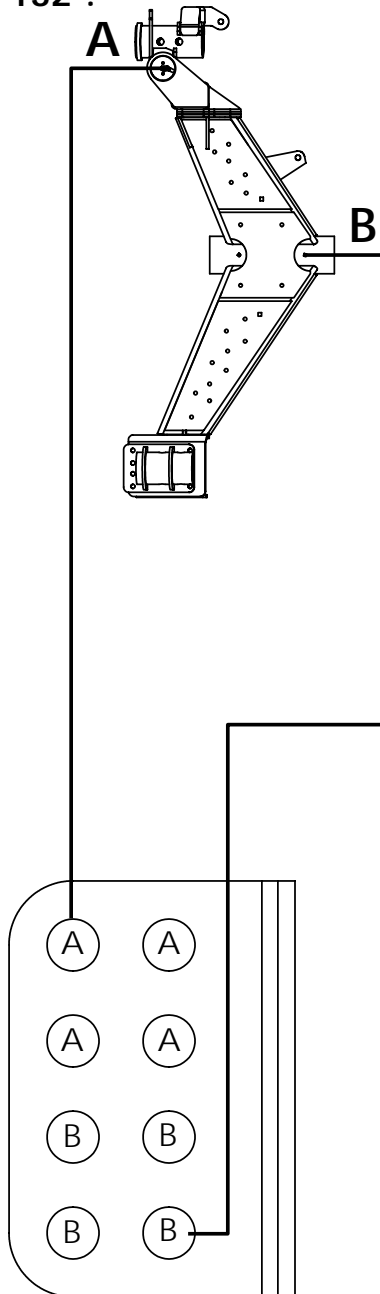
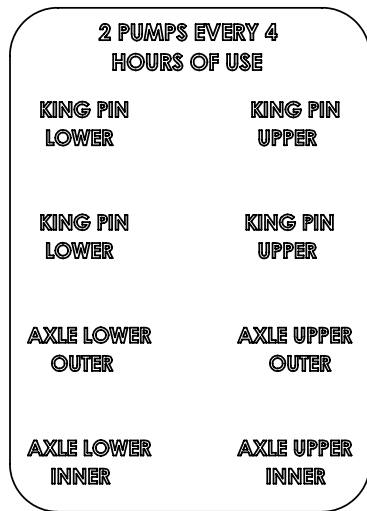
ITEM NO.	QTY.	PART NO.	DESCRIPTION
1	8	72411	HOSE GREASE LINE .12NPTM" x .12NPTM" x 132"
2	2	72337	DECAL GREASE LINE TANDEM
3	8	72416	HOSE GREASE LINE .12"NPTM x .12NPTM" x 192"
4	16	2291	ZERK .12" -28 NPT -STRAIGHT
5	32	12333	COUPLER PIPE 1/8" NPT
6	8	72348	ELBOW GREASE LINE .25-28 MALE X .12NPT FEMALE
7	16	72351	ADAPTOR .25-28UNFMX.12NPTM
8	16	72349	HYD ELBOW .12NPTFM X .12NPTM X 90 DEG (5502-2)
9	2	72334	TAB, GREASE 8 LINES TANDEM GRAIN CART

TANDEM GRAIN CART GREASE LINE.

HOSE DESCRIPTIONS.

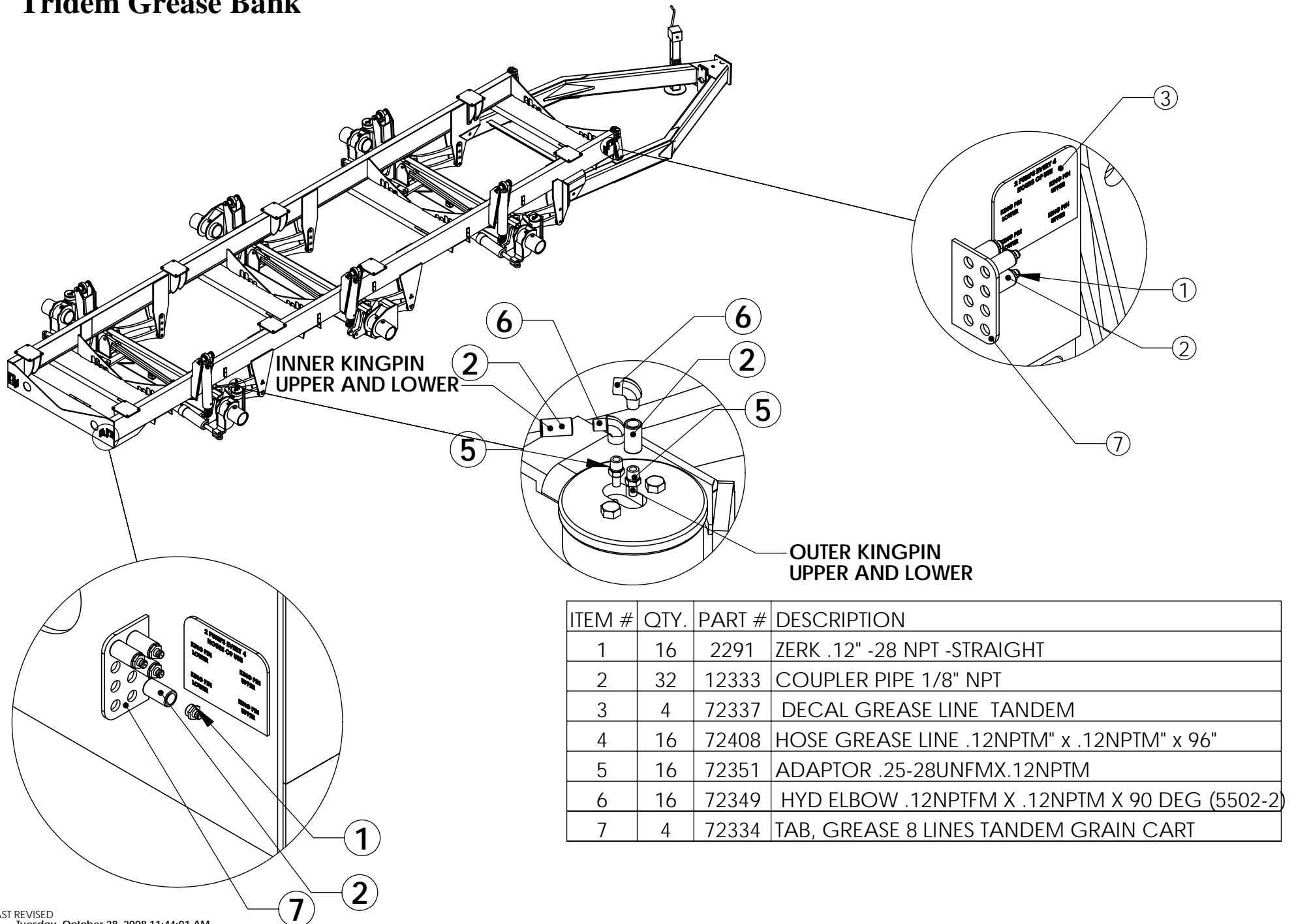
A. HOSE GREASE LINE #72416 X 192".
(4 PER SIDE)

B. HOSE GREASE LINE #72411 X 132".
(4 PER SIDE)



Parts

Tridem Grease Bank

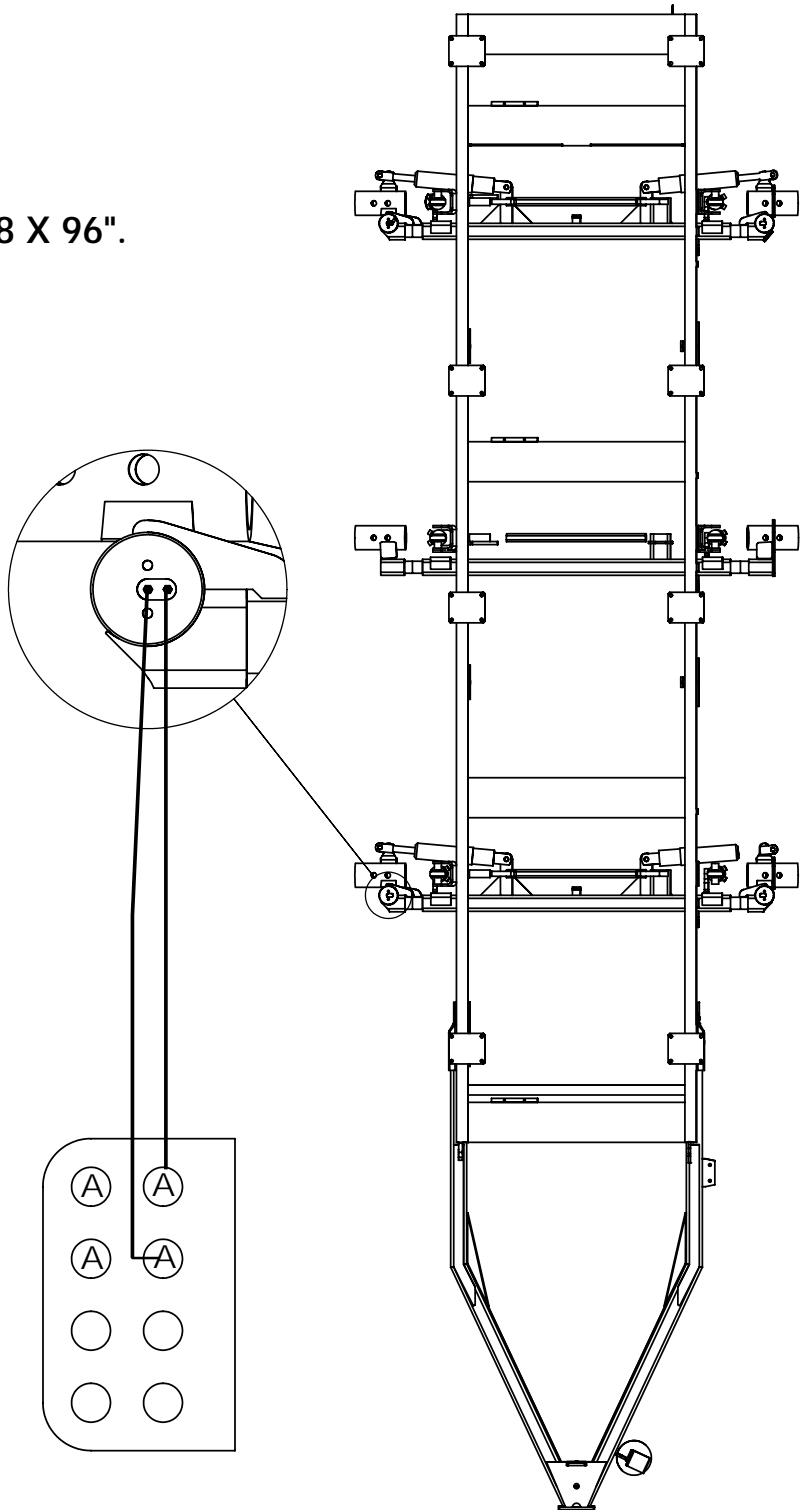


TRIDEM GRAIN CART GREASE LINE.

HOSE DESCRIPTIONS.

A. HOSE GREASE LINE #72408 X 96".
(4 PER CORNER)

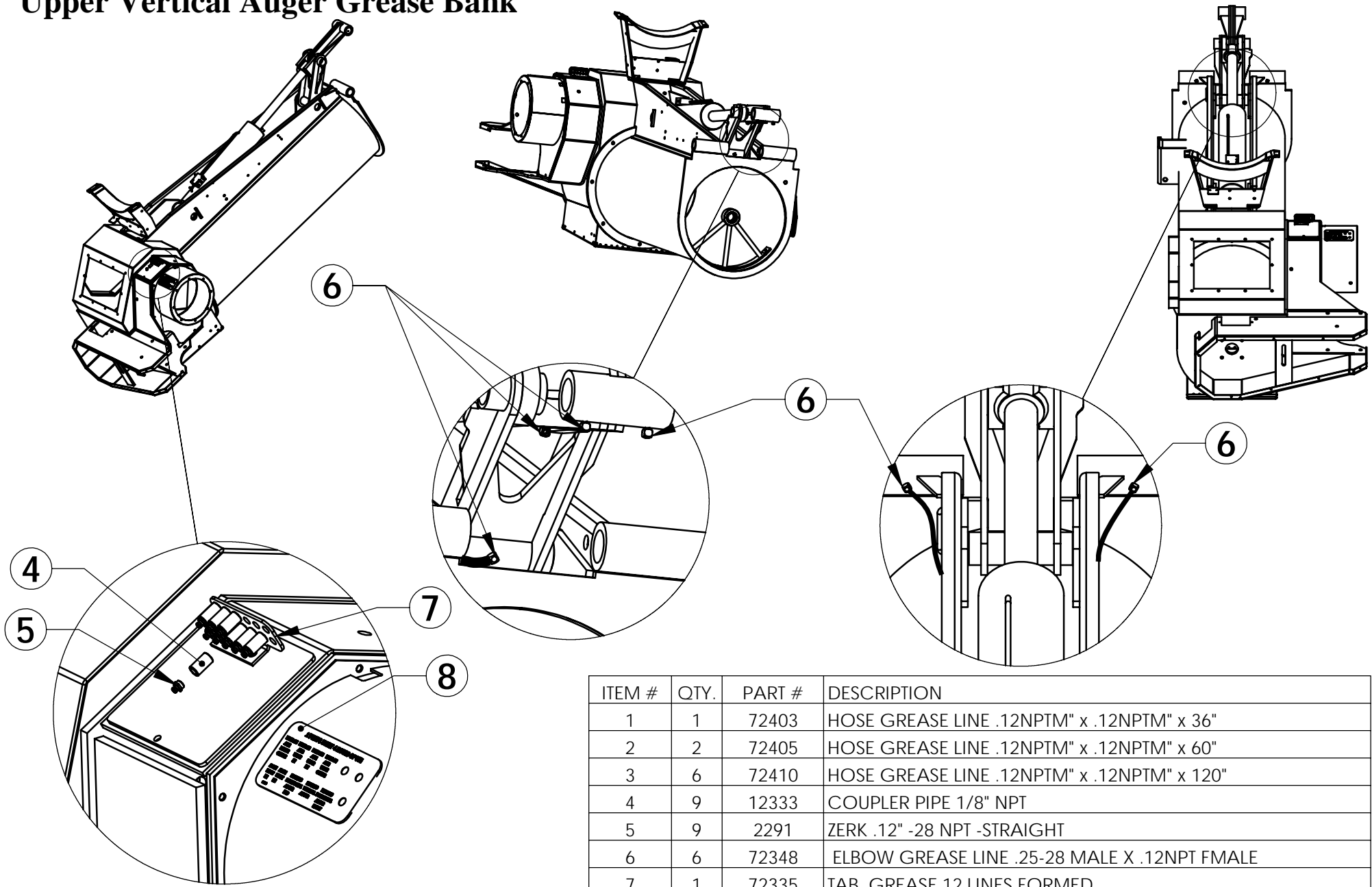
2 PUMPS EVERY 4 HOURS OF USE	
KING PIN LOWER	KING PIN UPPER
KING PIN LOWER	KING PIN UPPER



Parts

Upper Vertical Auger Grease Bank

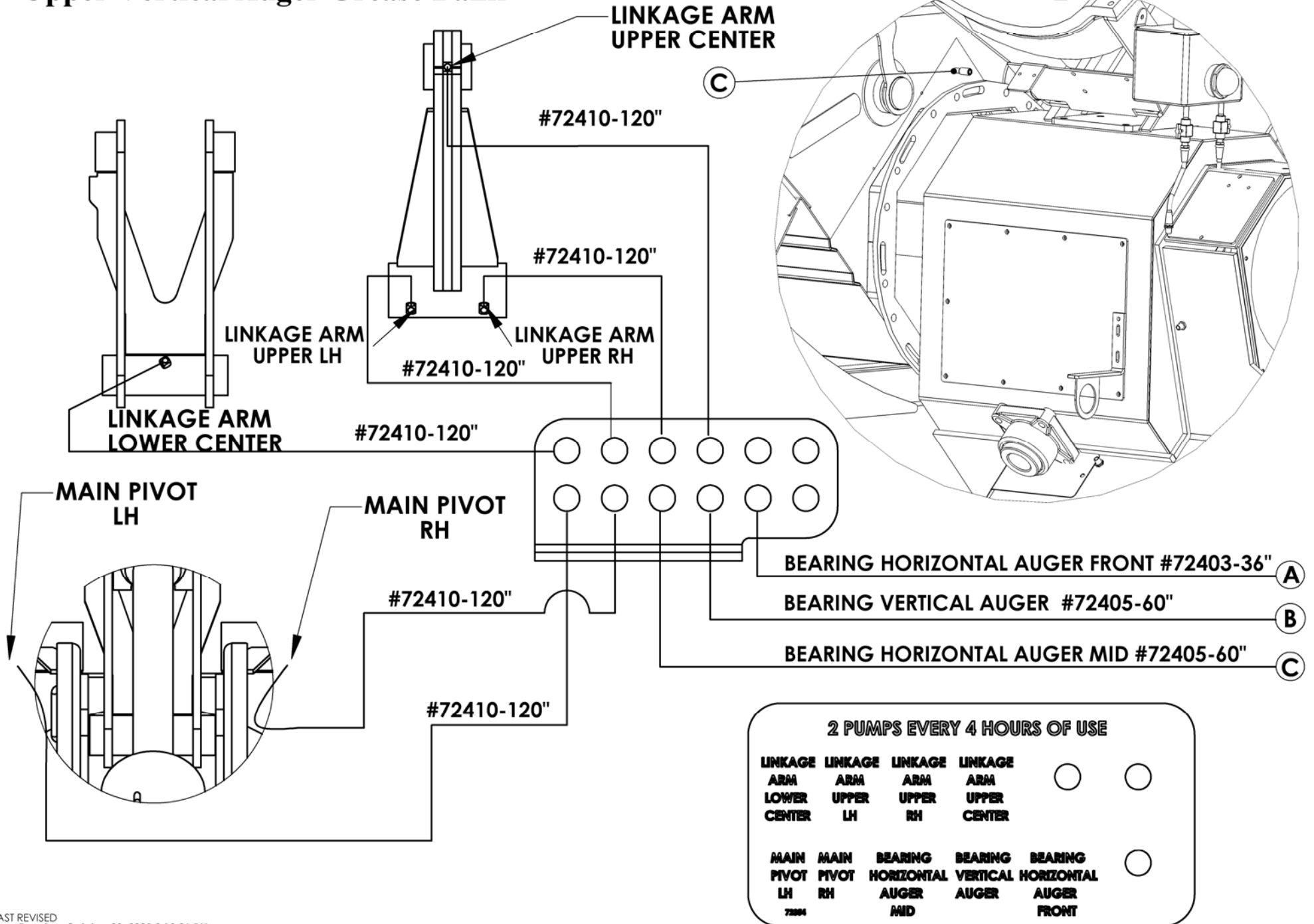
BALZER_{INC}



ITEM #	QTY.	PART #	DESCRIPTION
1	1	72403	HOSE GREASE LINE .12NPTM" x .12NPTM" x 36"
2	2	72405	HOSE GREASE LINE .12NPTM" x .12NPTM" x 60"
3	6	72410	HOSE GREASE LINE .12NPTM" x .12NPTM" x 120"
4	9	12333	COUPLER PIPE 1/8" NPT
5	9	2291	ZERK .12" -28 NPT -STRAIGHT
6	6	72348	ELBOW GREASE LINE .25-28 MALE X .12NPT FMALE
7	1	72335	TAB, GREASE 12 LINES FORMED
8	1	72354	DECAL GREASE LINE GRAIN CART AUGER

Parts

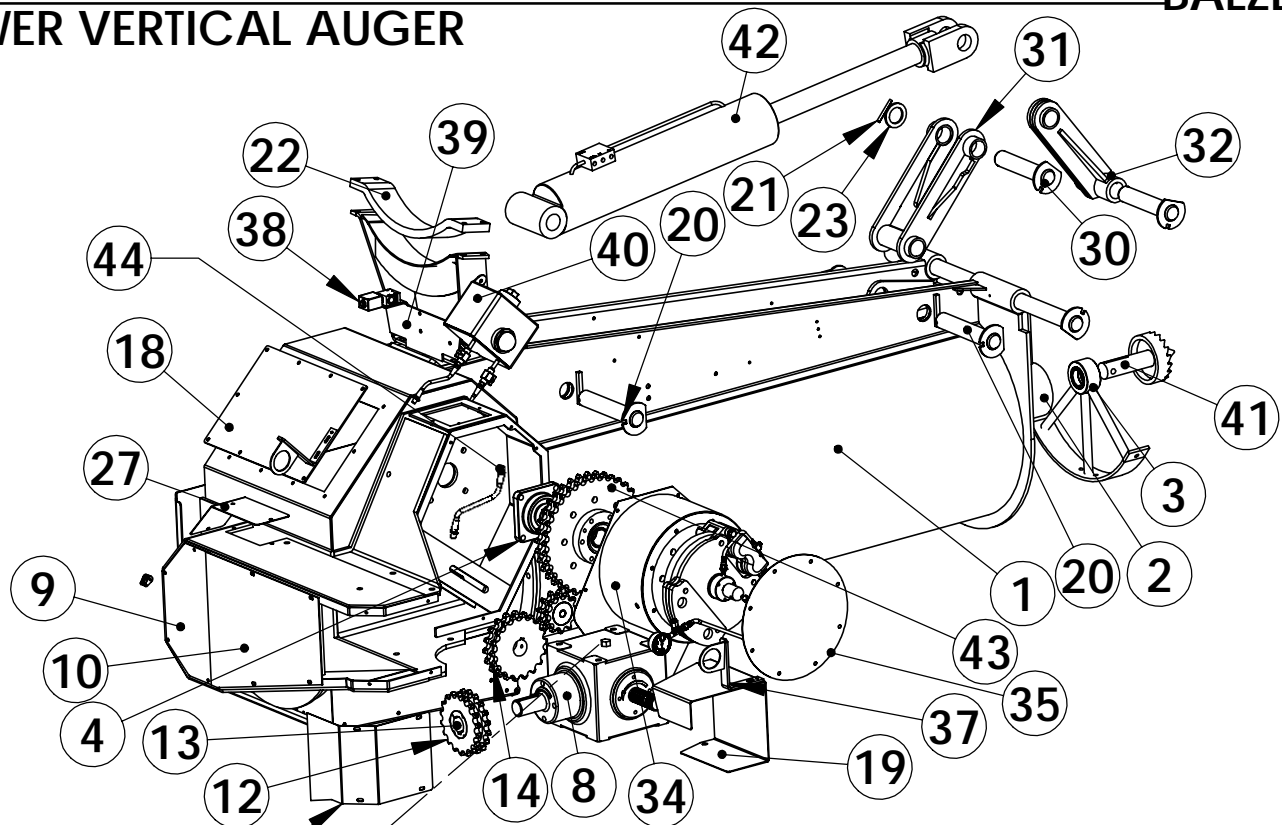
Upper Vertical Auger Grease Bank



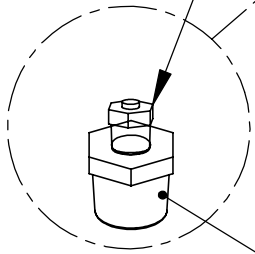
Parts

BALZER^{INC}

LOWER VERTICAL AUGER

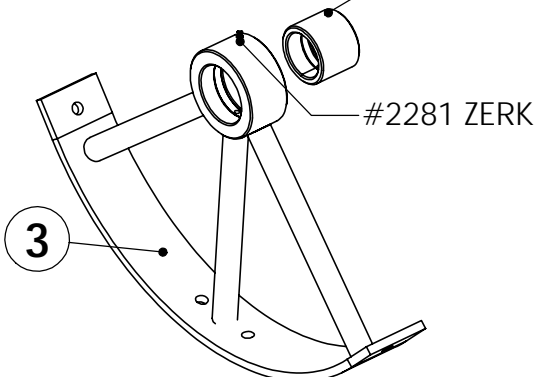


#13097 BREATHER



#13038 HEX BUSHING

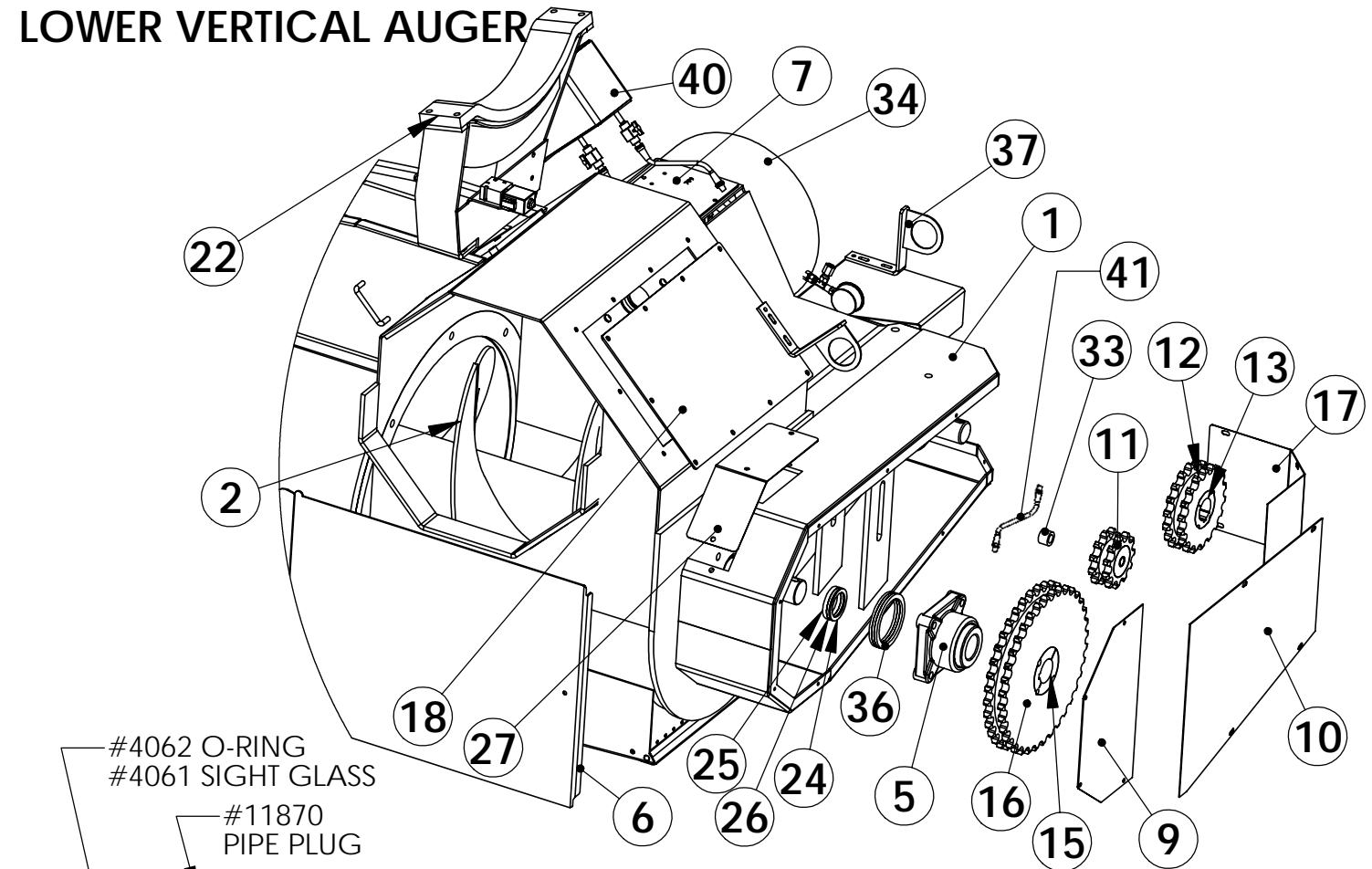
#8379 BRONZE BUSHING



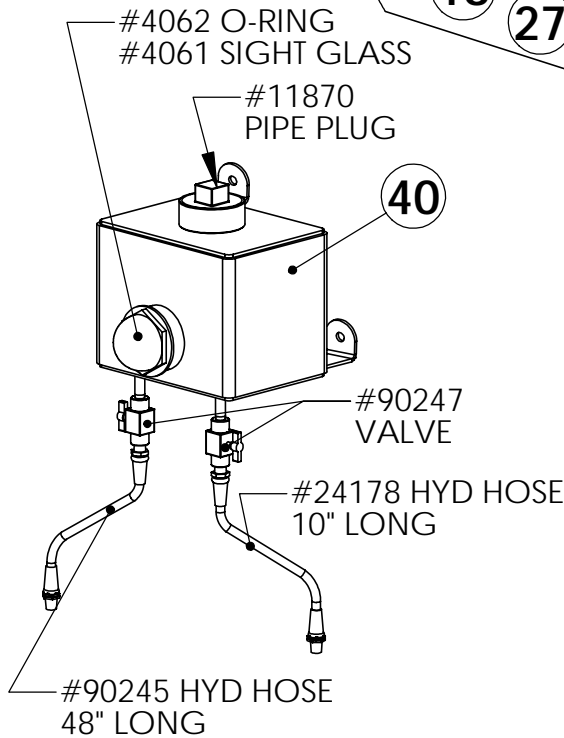
#90575 MID BEARING

ITEM #	QTY	PART #	DESCRIPTION
1	1	85081	AUGER VERT LOWER WELDMENT 24"
2	1	91275	AUGER VERT LOWER FLIGHTING 24"
3	1	90575	AUGER VERT MID BEARING
4	1	26872	BEARING 4 BOLT FLG 2.18" X 5.12" CAM
7	1	41704	COVER 7.56" X 7.56"
8	1	80500	GEAR BOX 1.35-1 RATIO
9	1	91322	SHIELD LOWER DRIVE REAR
10	1	91321	SHIELD LOWER DRIVE MIDDLE
12	1	80504	SPROCKET, D100ATL18-2517
13	1	80511	BUSHING TAPERLOCK 2517 x 2"
14	1	80505	SPROCKET D100A18
17	1	84285	SHIELD LOWER DRIVE FRONT
18	1	90588	COVER CLEAN OUT 24" AUGER
19	1	90738	SHIELD GEARBOX 24' AUGER
20	2	91331	PIN 1.94" DIA x 10.13" WELD
21	3	81767	ROLL PIN .37" x 3.00" LG
22	1	91257	RUBBER BELTING 1x4x25
23	3	81768	WASHER 2.00" ID X 3.00" OD X 0.25"TH
27	1	83313	COVER 5" X 16" X 14 GA. FORMED
28	1	80510	CHAIN ROLLER DBL 100 BULK
29	1	84908	CHAIN DOUBLE 36 FULL LINKS
30	2	91333	PIN WELD 1.94"DIA x 9.13" LG
31	1	91308	LINKAGE ARM LOWER WELD
32	1	91304	LINKAGE ARM UPPER PIVOT
34	1	84465	FRONT CLUTCH COVER VERT AUGER
35	1	84468	PLATE, COVER BRAKE CLUTCH .07" x 15.5"OD
37	2	22430	HOSE SUPPORT
38	1	71999	HYD VALVE SOLENOID PARKER #DSL102CD012LWS-A8T
39	1	72010	AUGER STORAGE WELD W/VALVE MOUNT
40	1	25999	OIL RESERVIOR DRIP FEED
41	1	85090	COUPLER DRIVE LOWER VERT 2008
42	1	91259	HYD CYL 6.00"B x22.00"S x2.75R -WELD-SOFT LAND
43	1	90895	SPROCKET/BEARING ASBY
44	1	24178	HYD HOSE 10" LONG
45	1	91323	PIN WELD 1.94" DIA x 29.37"LG

LOWER VERTICAL AUGER



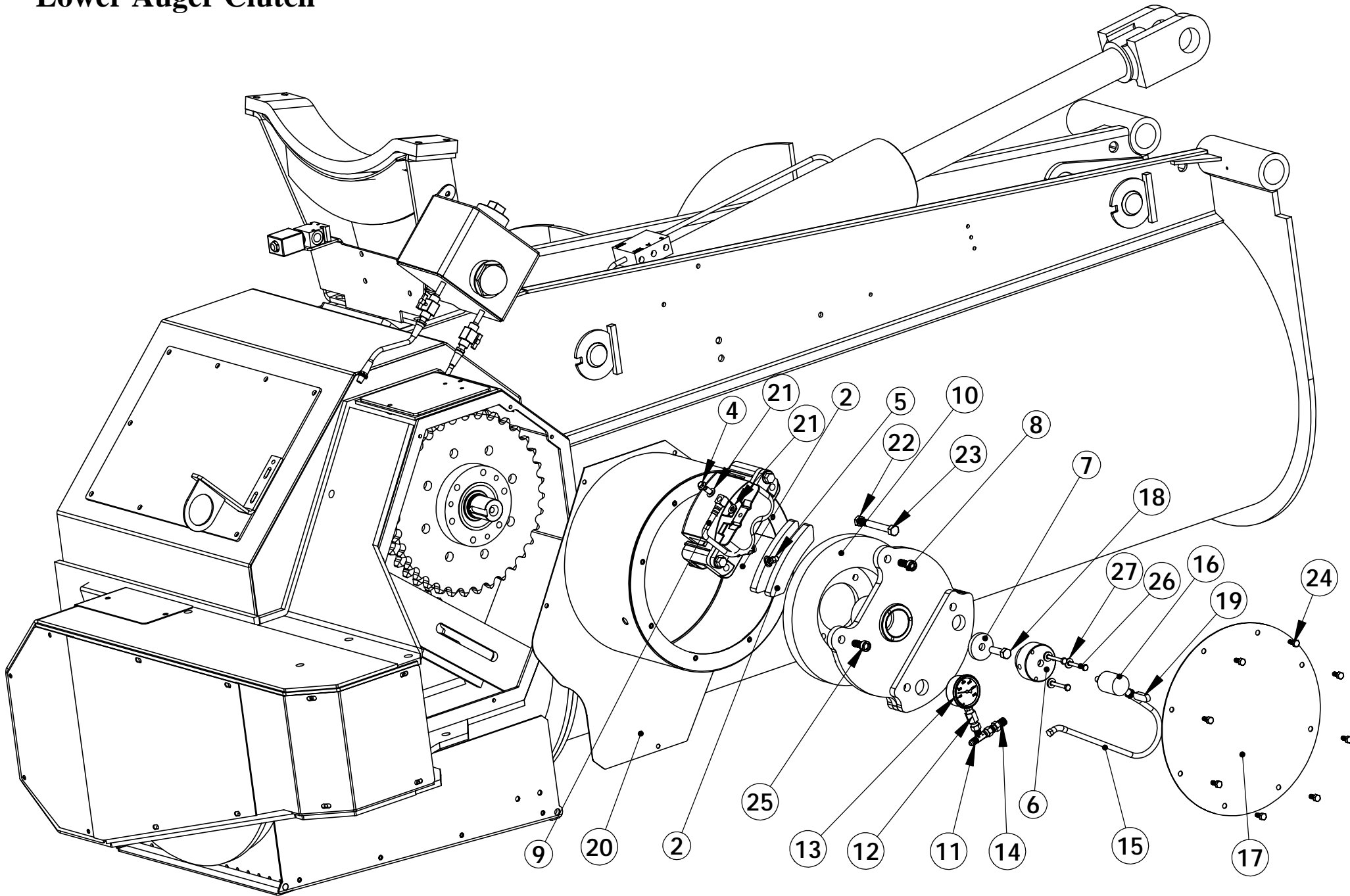
ITEM #	QTY	PART #	DESCRIPTION
1	1	85081	AUGER VERT LOWER WELDMENT 24"
2	1	91275	AUGER VERT LOWER FLIGHTING 24"
5	1	84492	BEARING PILLOW BLOCK 2.18" X 4.87" X SET
6	1	80414	AUGER VERT CLEANOUT DOOR
7	1	41704	COVER 7.56" X 7.56"
10	1	91321	SHIELD LOWER DRIVE MIDDLE
11	2	80508	SPROCKET, IDLER DOUBLE
12	1	80504	SPROCKET, D100ATL18-2517
13	1	80511	BUSHING TAPERLOCK 2517 x 2"
15	1	80512	BUSHING TAPERLOCK 3020
16	1	80506	SPROCKET D100ATL36-3020
17	1	84285	SHIELD LOWER DRIVE FRONT
18	1	90588	COVER CLEAN OUT 24" AUGER
22	1	91257	RUBBER BELTING 1x4x25
24	1	92413	WASHER 2.18" ID X 2.87" OD X .12" TH
25	1	92414	WASHER 2.18" ID X 2.87" OD X .37" TH
26	1	92415	WASHER 2.18" ID X 2.87" OD X .25" TH
27	1	83313	COVER 5" X 16" X 14 GA. FORMED
28	1	80510	CHAIN ROLLER DBL 100 BULK
29	1	84908	CHAIN DOUBLE 36 FULL LINKS
33	2	84289	PIPE 1.25" OD x 0.25" DOM x 0.87" LG
34	1	84465	FRONT CLUTCH COVER VERT AUGER
36	3	22340	GASKET 4" CAM LOCK
37	2	22430	HOSE SUPPORT
40	1	25999	OIL RESERVIOR DRIP FEED
41	1	24178	HYD HOSE 10" LONG
45	1	91323	PIN WELD 1.94" DIA x 29.37" LG



#25999 OIL RESERVIOR

Parts

Lower Auger Clutch

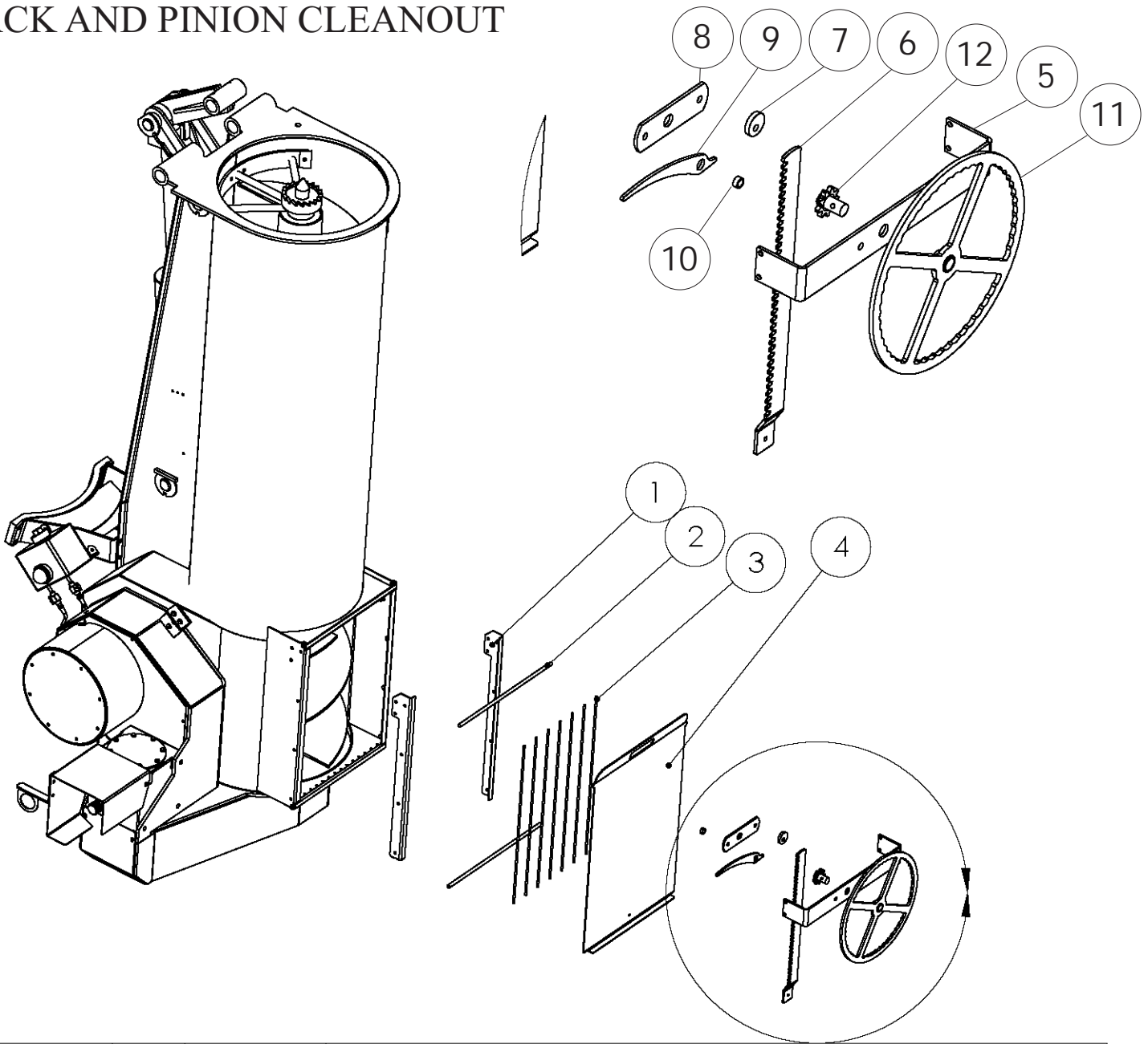


Parts

Lower Auger Clutch

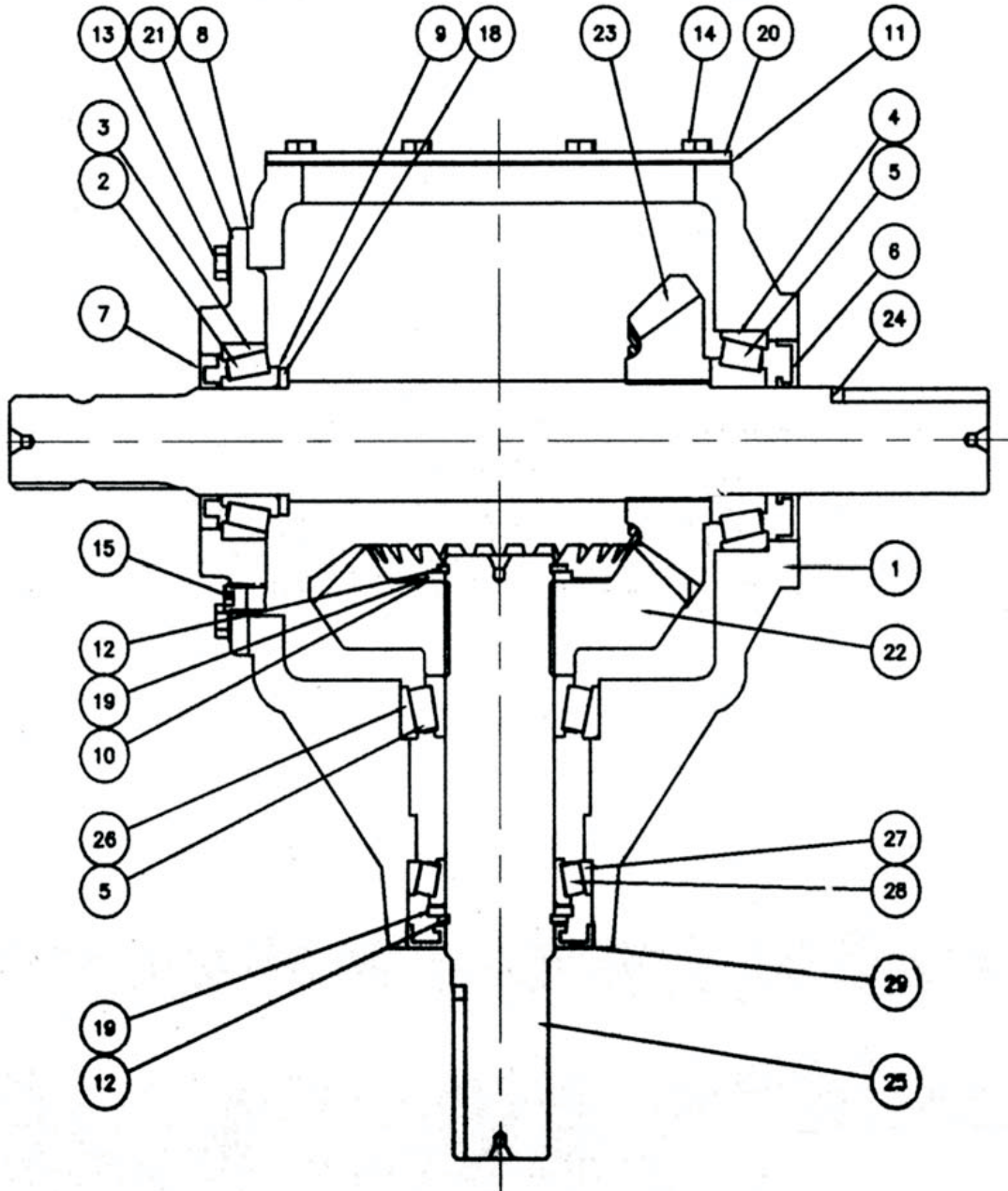
ITEM #	QTY.	PART #	DESCRIPTION
2	2	84477	BRAKE PAD
3	1	84480	BRAKE LINE HOSE
4	1	84479	BOLT BANGO
5	1	84478	HYD COUPLER 1/8 NPT - 3/16 BRK LINE
6	1	84464	END CAP 3" OD x 2" LONG MACHINED
7	1	84476	3/8" WASHER 2.156" OD x .562"ID
8	1	84458	WELDMENT
9	1	84459	BRAKE CALIPER
10	1	84461	BRAKE ROTOR MACHINED
11	1	72152	TEE #6 JIC SWIVEL RUN
12	1	72153	SWIVEL TO PIPE #6 JIC FM SWIVEL-1/4"NPT MALE
13	1	8638	GAUGE PRESSURE
14	1	72133	HYD BULKHEAD #6 JICM x #6 JICM (2700-LN-STR)
15	1	72132	HYD HOSE .25X .25NPTMX .56JICFMS 45DEGX 15"LG
16	1	71741	HYD ROTATING COUPLER .25" NPT
17	1	84468	PLATE, COVER BRAKE CLUTCH .07" x 15.5"OD
18	1	1251	BOLT.5 x 1.75 GR5 HEX HEAD
19	1	80793	KEY 9 x 14 x 45MM
20	1	84465	FRONT CLUTCH COVER VERT AUGER
21	2	37090	FLAT WASHER .37" BRASS
22	6	2539	NUT TOPLOCK .50"-20 UNC
23	6	1261	BOLT HEXHEAD .50" x 4.50" UNC GRD 5
24	8	1183	BOLT .31 x .75 LONG GR5
25	2	72566	SOCKET HEAD .50-13x1.37"
26	3	1168	BOLT 1/4-20 x 2" HEX HEAD GR5
27	3	1634	LOCKWASHER 1/4" SPRING ZN

RACK AND PINION CLEANOUT



ITEM #	QTY.	PART #	DESCRIPTION
1	1	85114	PLATE FORMED REAR 10GAx4"x1.5"x29.25"LG
2	2	85113	ROD STOP ROUND 1/2" DIA x 21 7/8" LONG
3	14	90360	ROUND .25" OD X 28 7/8. " LG
4	1	80414	AUGER VERT CLEANOUT DOOR
5	1	92275	PINION BRACKET
6	1	92271	RACK GEAR AUGER DOOR
7	1	92276	SPACER 3/8" THICK 1 7/8" OD x 17/32" ID OFFCENTER 1/4"
8	1	92277	PINION BRACKET REAR
9	1	92278	LATCH ARM - GRAIN CART
10	1	92279	SPACER PIPE 3/8' LONG 1/2" SCH 40 PIPE
11	1	92281	HANDWHEEL
12	1	92273	PINION & SHAFT

Graincart Gearbox, Part# 80500



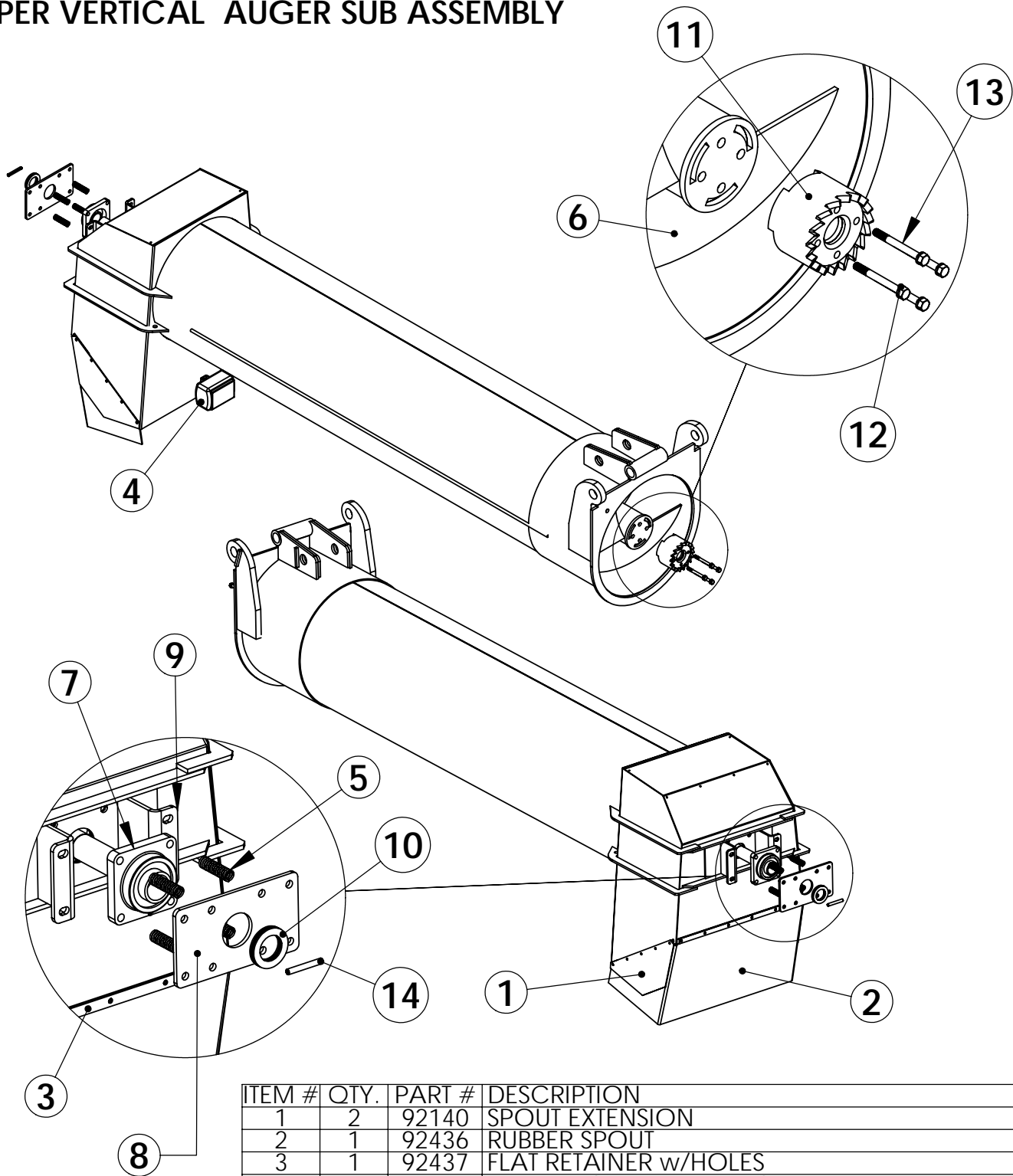
Parts



Graincart Gearbox, Part# 80500

Item#	Qty	Part#	Description
1	1	50767	HOUSING GEARBOX - 1000 GRAIN CART GEARBOX
2	1	22602	BEARING CUP
3	1	50768	BEARING CONE GRAIN CART GEARBOX
4	1	50769	BEARING CONE GRAIN CART GERABOX
5	2	50770	BEARING CUP GRAIN CART GEARBOX
6	1	50771	SEAL OIL GRAIN CART GEARBOX
7	1	50524	SEAL PRAIRIE #1499SHREDDER GEARBOX 1000 RPM2" ID FOR INPUT SHAFT
8	1	22604	SHIM .007 (COVER) PRAIRIE #1544
9	1	50781	SHIM 2"ID X .007 THK GRAIN CART GEARBOX
10	1	50782	SHIM 2.25" ID GRAIN CART GEARBOX
11	1	50780	GASKET, COVER PLATE GRAIN CART GEARBOX
12	2	50783	SNAP RING GRAIN CART GEARBOX
13	8	1206	BOLT.37 X 1 HEXHEAD GRADE 5 Z.P.
14	8	1204	BOLT.37 X .75 HEXHEAD GRADE 5 Z.P.
15	1	6997	PLUG DRAIN HEX SOC .25 NPT
16	1	8907	PIPE PLUG .50-14 NPTF SQ HD
17	1	50785	VENT 1/2" NPT GRAIN CART GEARBOX
18	1	50417	WASHER 2"ID X .179 OUTPUT SHAFTPUMP VERTICAL LAGOON
19	2	50784	WASHER 2.25"ID X .179 GRAIN CART GEARBOX
20	1	50778	PLATE COVER GRAIN CART GEARBOX
21	1	50779	COVER OPEN GRAIN CART GEARBOX
22	1	50774	GEAR 27T GRAIN CART GEARBOX
23	1	50775	PINION 20T GRAIN CART GEARBOX
24	1	50776	SHAFT THRU GRAIN CART GEARBOX
25	1	50777	SHAFT QUILL GRAIN CART GERABOX
26	1	50772	BEARING CONE GRAIN CART GEARBOX
27	1	13149	BEARING CUP INNER 382A 8 BOLT HVY
28	1	13150	BEARING CONE INNER
29	1	50773	SEAL OIL GRAIN CART GERABOX2.25" ID X 3.876" OD

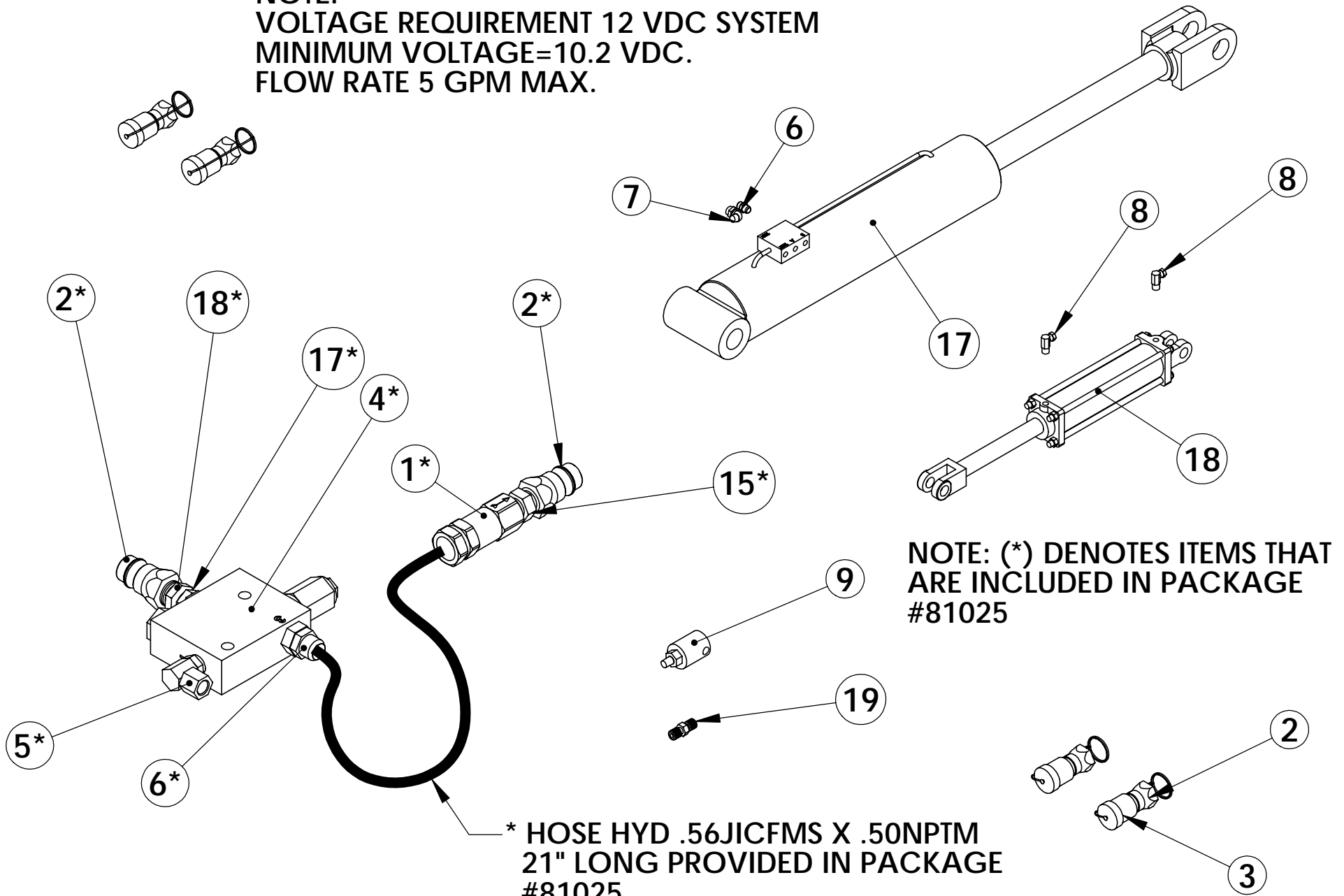
UPPER VERTICAL AUGER SUB ASSEMBLY



ITEM #	QTY.	PART #	DESCRIPTION
1	2	92140	SPOUT EXTENSION
2	1	92436	RUBBER SPOUT
3	1	92437	FLAT RETAINER w/HOLES
4	1	60984	WORK LIGHT 3x5 HALOGEN
5	4	90596	SPRING COMPRESSION .71 ID x 3.5"
6	1	92427	AUGER VERT UPPER 24" FLIGHTING
7	1	26871	BEARING 4 BOLT FLG 2.18 ID X 5.12 BP
8	1	82901	BEARING PLATE 5.12 BP
9	1	92138	AUGER VERT UPPER WELDMENT 24"
10	3	90598	WASHER 2.25IDX 3.50ODX 0.179TH
11	1	85095	UPPER VERTICAL AUGER COUPLER
12	4	1638	LOCK WASHER .50"
13	4	1261	BOLT HEXHEAD .50" x 4.50" UNC GRD 5
14	1	91588	ROLL PIN .50" x 3.50" LG

HYDRAULIC COMPONENTS STANDARD DOWNSPOUT

NOTE:
VOLTAGE REQUIREMENT 12 VDC SYSTEM
MINIMUM VOLTAGE=10.2 VDC.
FLOW RATE 5 GPM MAX.

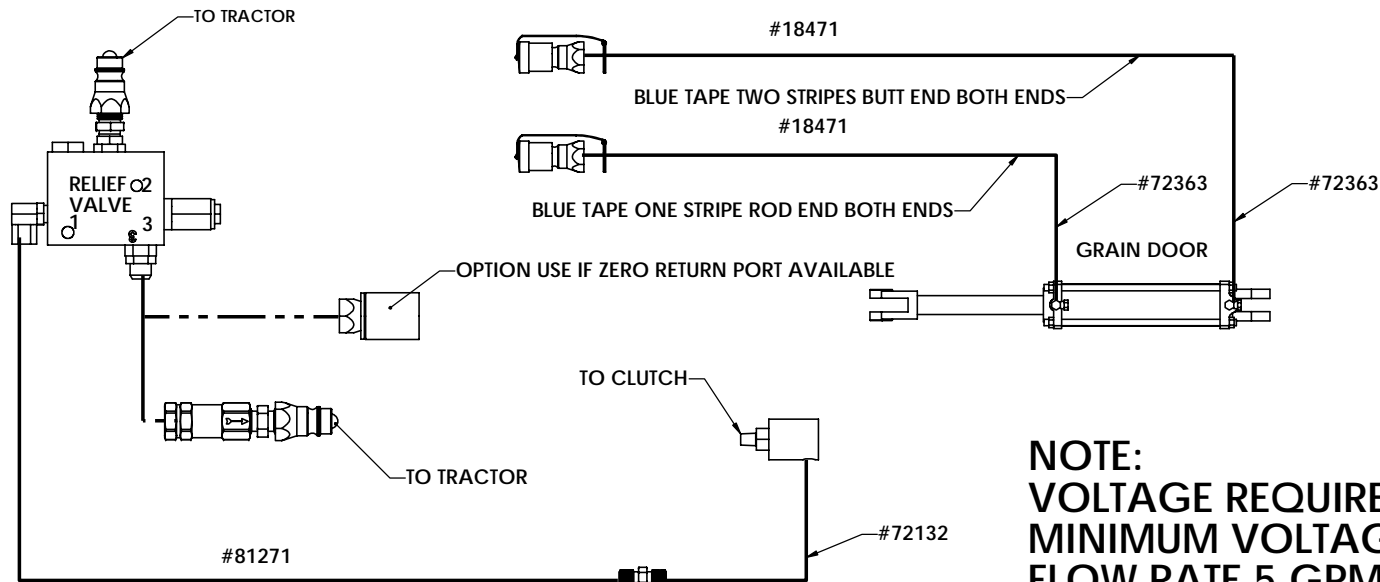
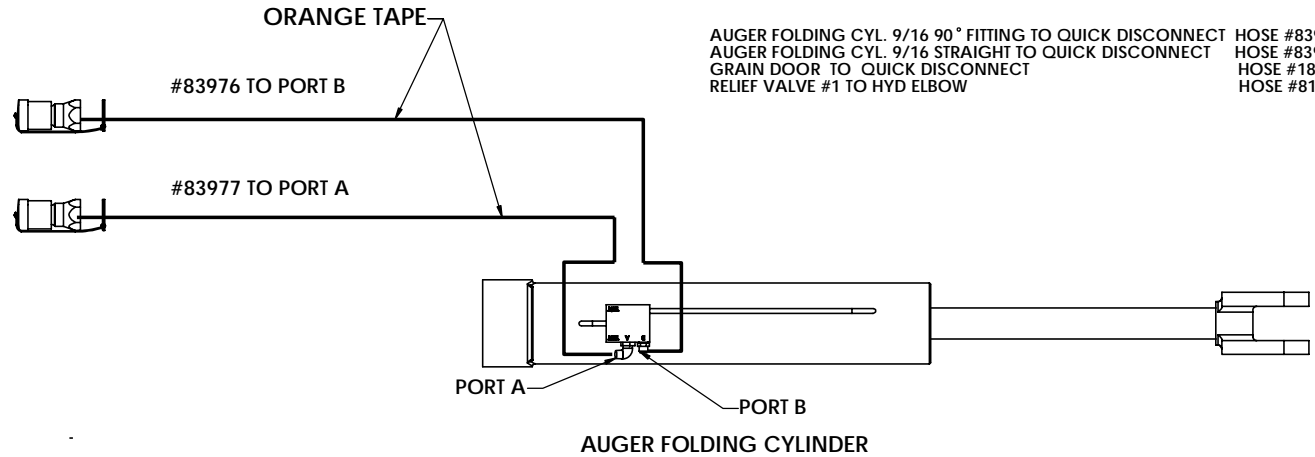


*** HOSE HYD .56JICFMS X .50NPTM
 21" LONG PROVIDED IN PACKAGE
 #81025**

HYDRAULIC COMPONENTS STANDARD DOWNSPOUT

HOSE DESCRIPTIONS

AUGER FOLDING CYL. 9/16 90° FITTING TO QUICK DISCONNECT HOSE #83976 X 185"
 AUGER FOLDING CYL. 9/16 STRAIGHT TO QUICK DISCONNECT HOSE #83977 X 185"
 GRAIN DOOR TO QUICK DISCONNECT HOSE #18471 X 340"
 RELIEF VALVE #1 TO HYD ELBOW HOSE #81271 X 96"

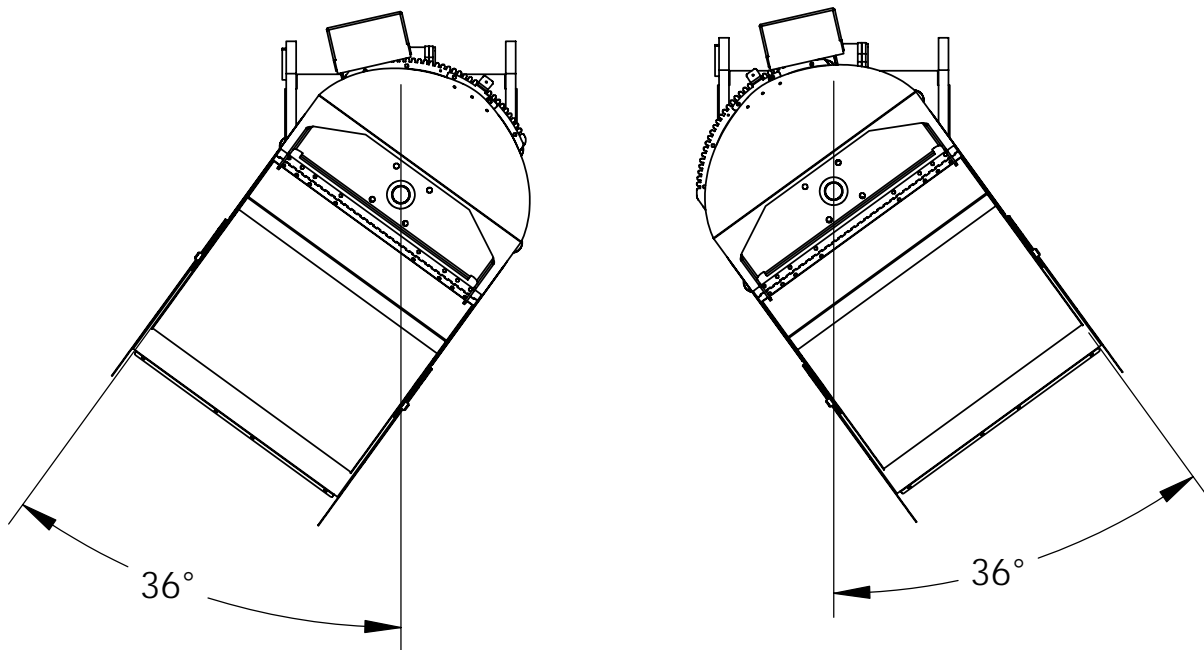
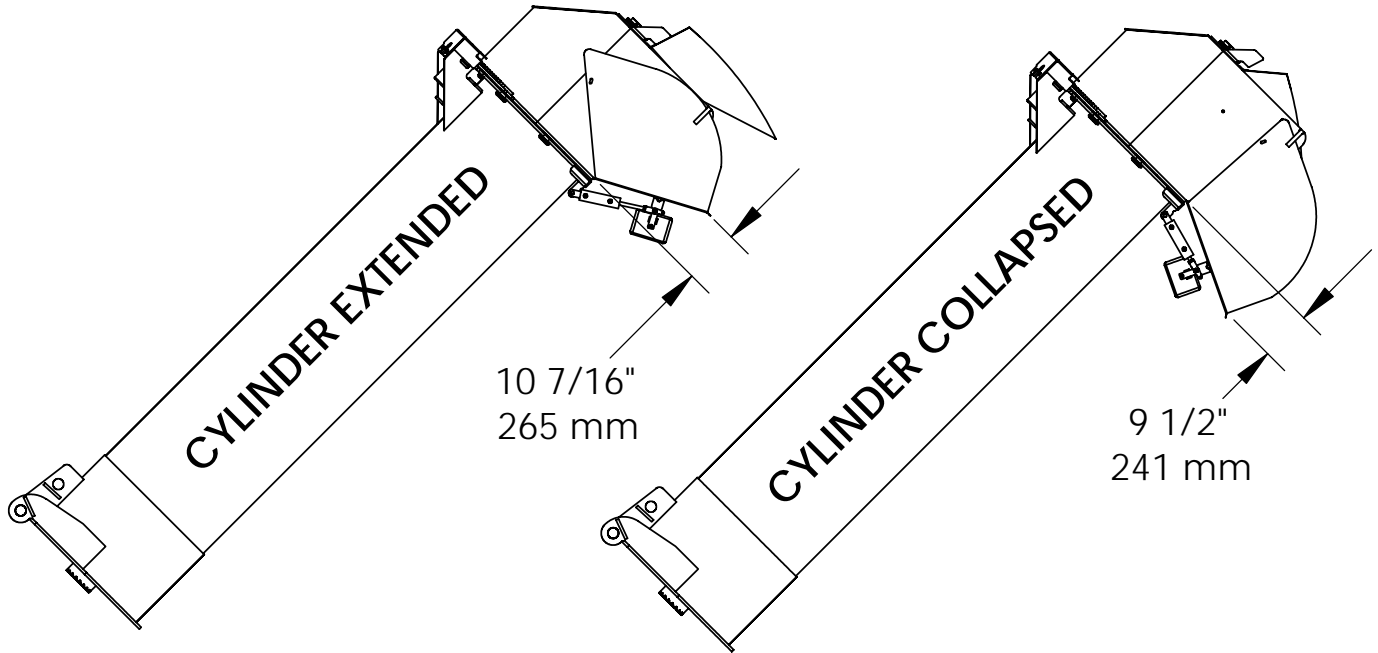


NOTE:
VOLTAGE REQUIREMENT 12 VDC SYSTEM
MINIMUM VOLTAGE=10.2 VDC.
FLOW RATE 5 GPM MAX.

HYDRAULIC COMPONENTS STANDARD DOWNSPOUT

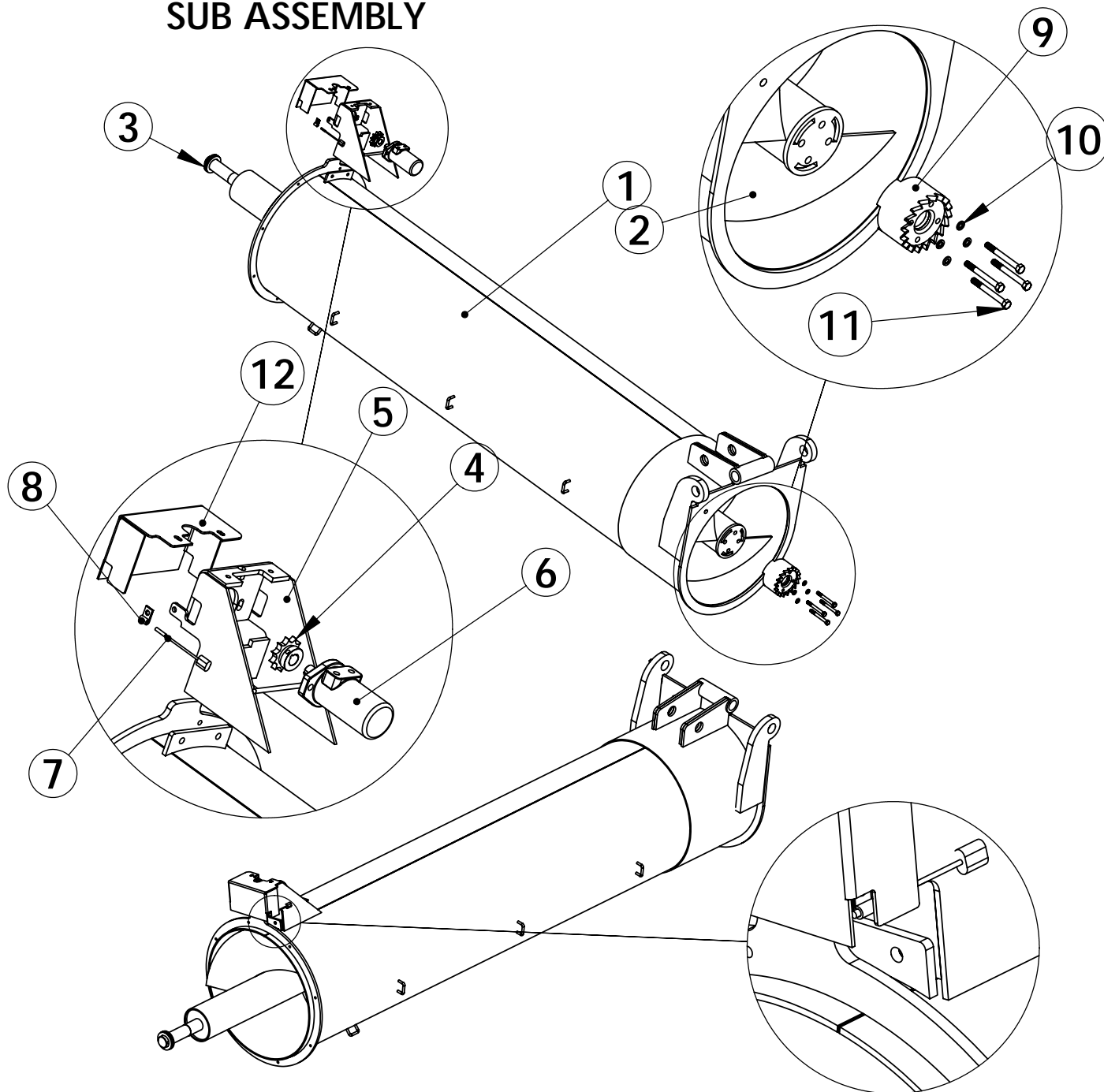
ITEM #	QTY.	PART #	DESCRIPTION
1	1	10459	HYD VALVE CHECK .50" NPTFM x .50" NPTFM
2	6	11023	HYD MISC PIONEER MALE / .50NPTFM (S71-4)
3	4	28392	HYD MISC PIONEER DUST CAP (S49-4)
4	1	72110	HYD VALVE PRESSURE REDUCING 1000PSI
5	1	21661	HYD ELBOW .25NPTFMSX .56ORM 90DEG (6901-6-4)
6	2	83979	HYD NIPPLE .56ORMX .56JICM (6400-6)
7	1	37299	HYD ELBOW .56JICMX .56ORM 90DEG (6801-6)
8	2	21171	HYD ELBOW .25NPTFMSX .37NPTM 90DEG (1501-6-4)
9	1	71741	HYD ROTATING COUPLER .25" NPT
10	2	18471	HYD HOSE .25X .25NPTMSX .50NPTMX 340"LG
11	1	83976	HYD HOSE .37X .50NPTMX .56JICFMSX 185"LG
12	1	83977	HYD HOSE .37X .50NPTMX .56JICFMS 90DEG
13	1	8604	HYD NIPPLE .50NPTMX .50NPTM (5405-6)
14	1	81271	HYD HOSE .25X .25NPTMSX .56JICMSX 96"LG.
15	1	72113	HYD NIPPLE .37NPTMX .56ORM (6401-6-6)
16	1	8222	HYD REDUCER .37"NPTFM x .50"NPTM -(5406-8-6)
17	1	91259	HYD CYL 6.00"B x22.00"S x2.75R -WELD-SOFT LAND
18	1	8226	HYD CYL 2.50" B x10.00"S x1.12R -TIE ROD
19	1	72133	HYD BULKHEAD #6 JICM x #6 JICM (2700-LN-STR)
20	1	72132	HYD HOSE .25X .25NPTMX .56JICFMS 45DEGX 15"LG
21	2	72363	HOSE CLEAR 1.50"ID X .25 WALL X 36"LG

MULTI DIRECTIONAL DOWN SPOUT
#71750



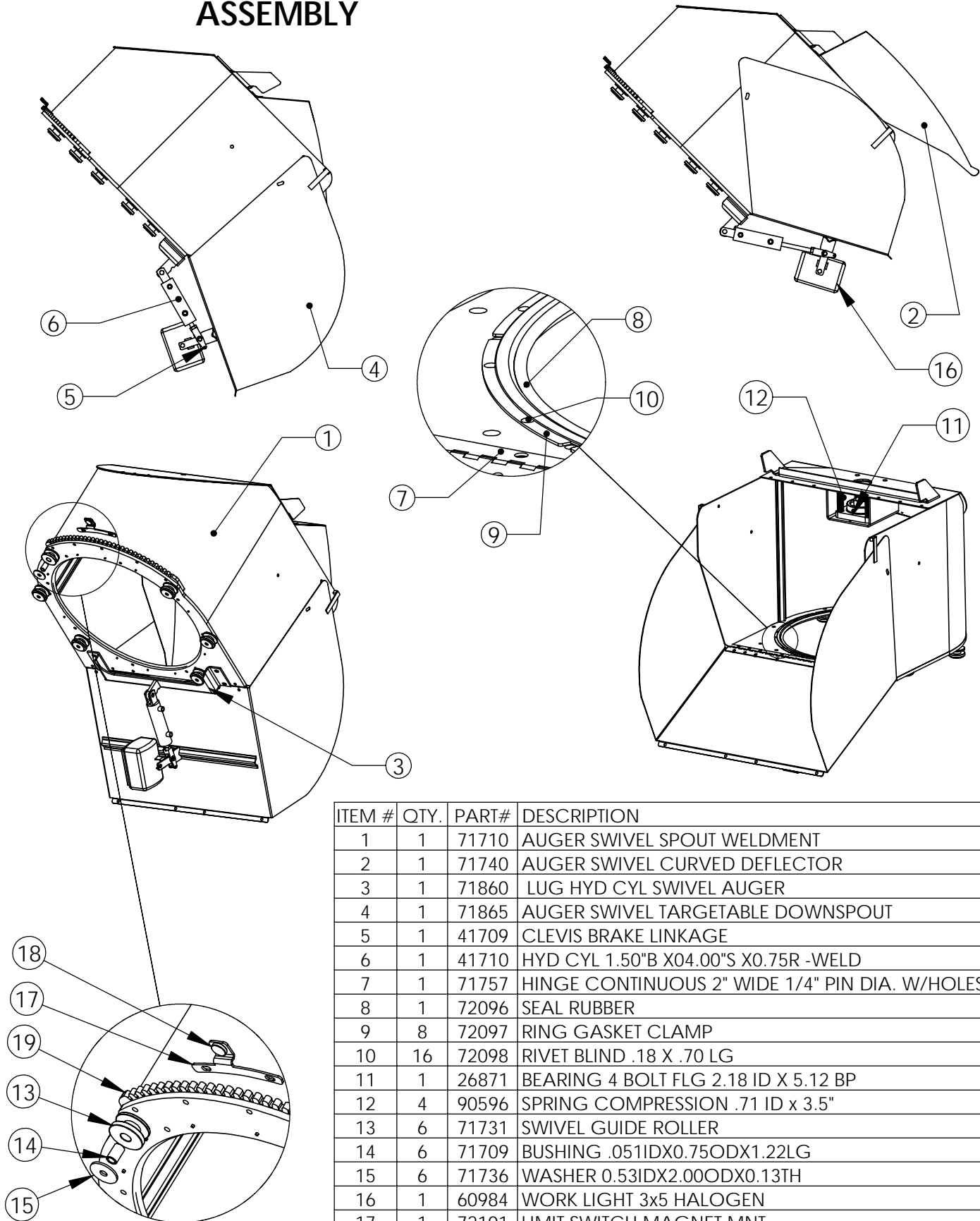
DEGREES OF TRAVEL TO FRONT AND REAR

UPPER VERTICAL SWIVEL AUGER SUB ASSEMBLY



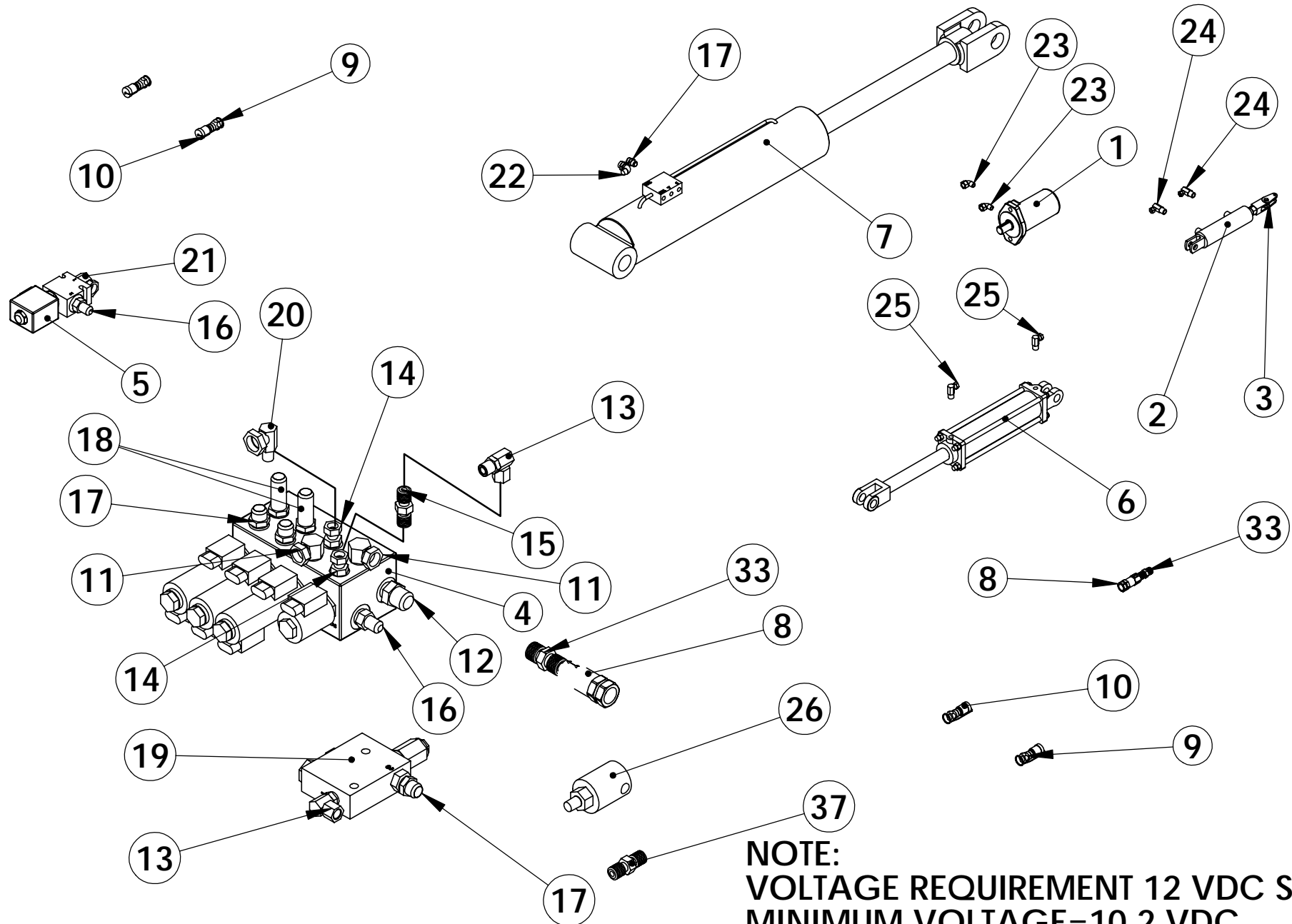
ITEM #	QTY.	PART #	DESCRIPTION
1	1	83530	AUGER VERT UPPER SWIVEL WELDMENT
2	1	92427	AUGER VERT UPPER 24" FLIGHTING
3	4	90598	WASHER 2.25IDX 3.50ODX 0.179TH
4	1	81500	SPROCKET 11T. X 1"
5	1	71855	HYD MOTOR MNT SWIVEL AUGER
6	1	12554	HYD MOTOR 17.9 CU IN
7	1	72123	PROXIMITY SENSOR W/ FEMALE WEATHER PACK
8	1	72124	CLAMP LOOP 1/4"
9	1	85095	UPPER VERTICAL AUGER COUPLER
10	4	1638	LOCK WASHER .50"
11	4	1261	BOLT HEXHEAD .50" x 4.50" UNC GRD 5
12	1	72157	SHIELD TOP SWIVEL AUGER

MULTI-DIRECTIONAL DOWNSPOUT ASSEMBLY

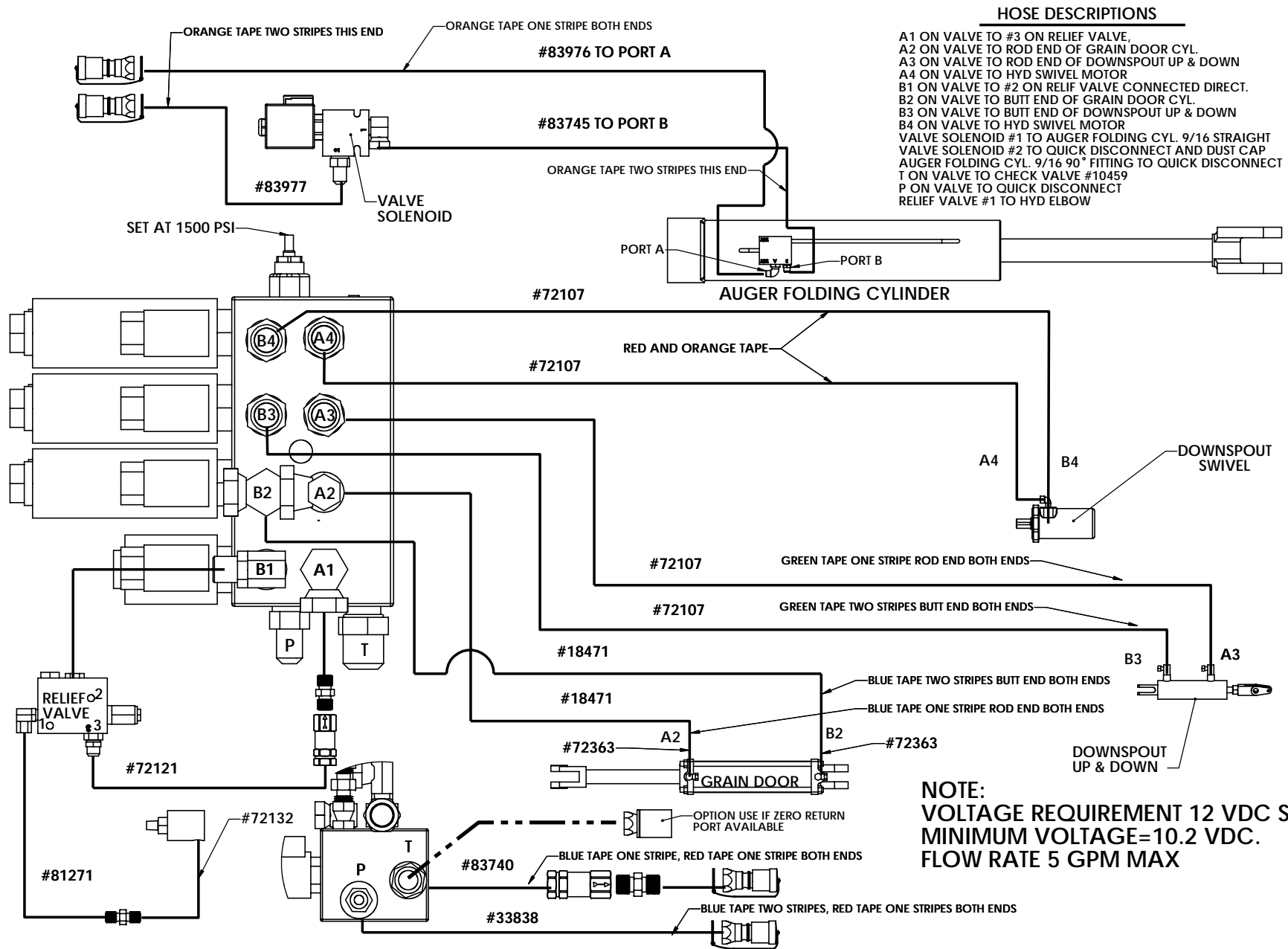


ITEM #	QTY.	PART#	DESCRIPTION
1	1	71710	AUGER SWIVEL SPOUT WELDMENT
2	1	71740	AUGER SWIVEL CURVED DEFLECTOR
3	1	71860	LUG HYD CYL SWIVEL AUGER
4	1	71865	AUGER SWIVEL TARGETABLE DOWNSPOUT
5	1	41709	CLEVIS BRAKE LINKAGE
6	1	41710	HYD CYL 1.50"B X04.00"S X0.75R -WELD
7	1	71757	HINGE CONTINUOUS 2" WIDE 1/4" PIN DIA. W/HOLES
8	1	72096	SEAL RUBBER
9	8	72097	RING GASKET CLAMP
10	16	72098	RIVET BLIND .18 X .70 LG
11	1	26871	BEARING 4 BOLT FLG 2.18 ID X 5.12 BP
12	4	90596	SPRING COMPRESSION .71 ID x 3.5"
13	6	71731	SWIVEL GUIDE ROLLER
14	6	71709	BUSHING .051IDX0.75ODX1.22LG
15	6	71736	WASHER 0.53IDX2.00ODX0.13TH
16	1	60984	WORK LIGHT 3x5 HALOGEN
17	1	72101	LIMIT SWITCH MAGNET MNT
18	1	72125	MAGNET CERAMIC DISC
19	1	71851	GEAR RACK AUGER BOLT ON

HYDRAULIC COMPONENTS MULTI-DIRECTIONAL DOWNSPOUT



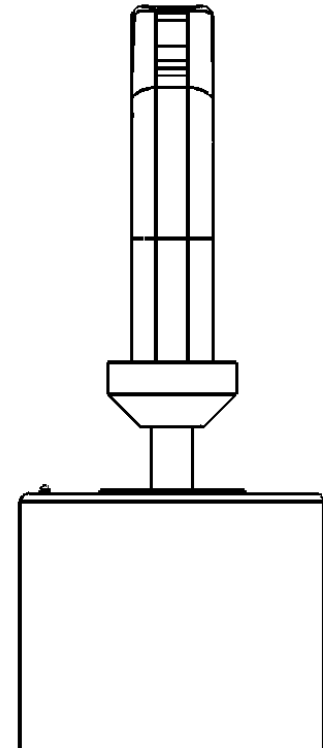
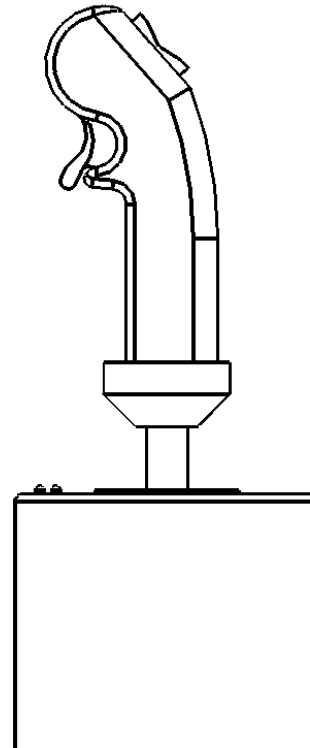
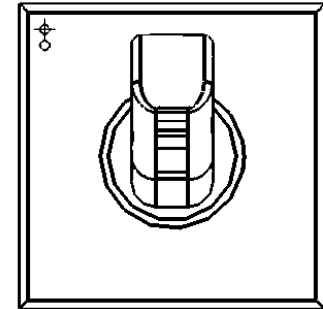
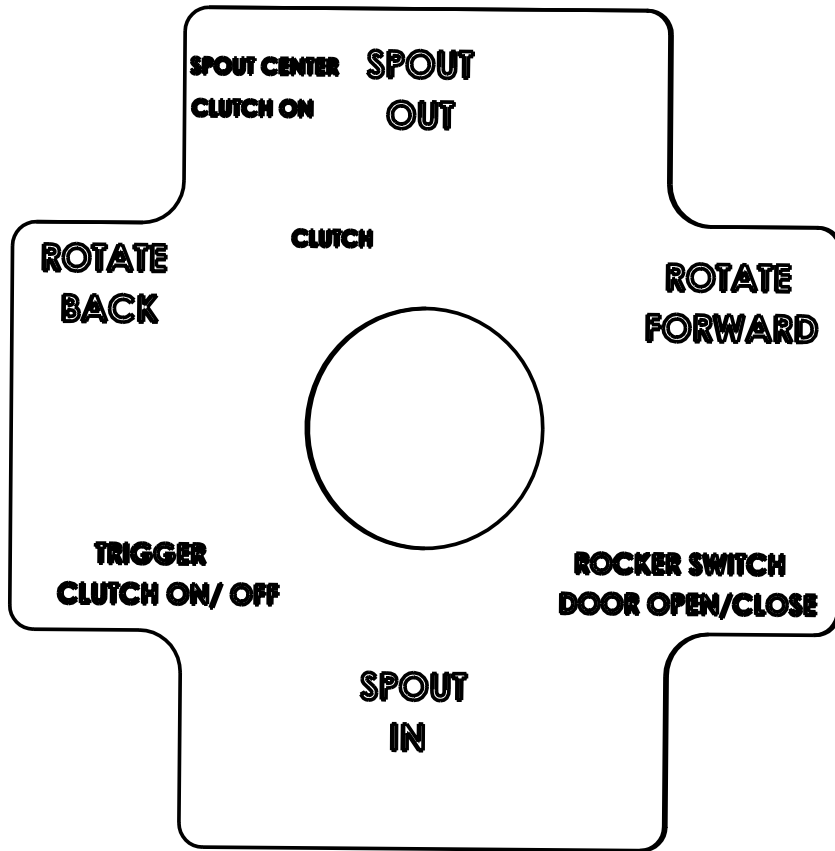
NOTE:
VOLTAGE REQUIREMENT 12 VDC SYSTEM
MINIMUM VOLTAGE=10.2 VDC.
FLOW RATE 5 GPM MAX



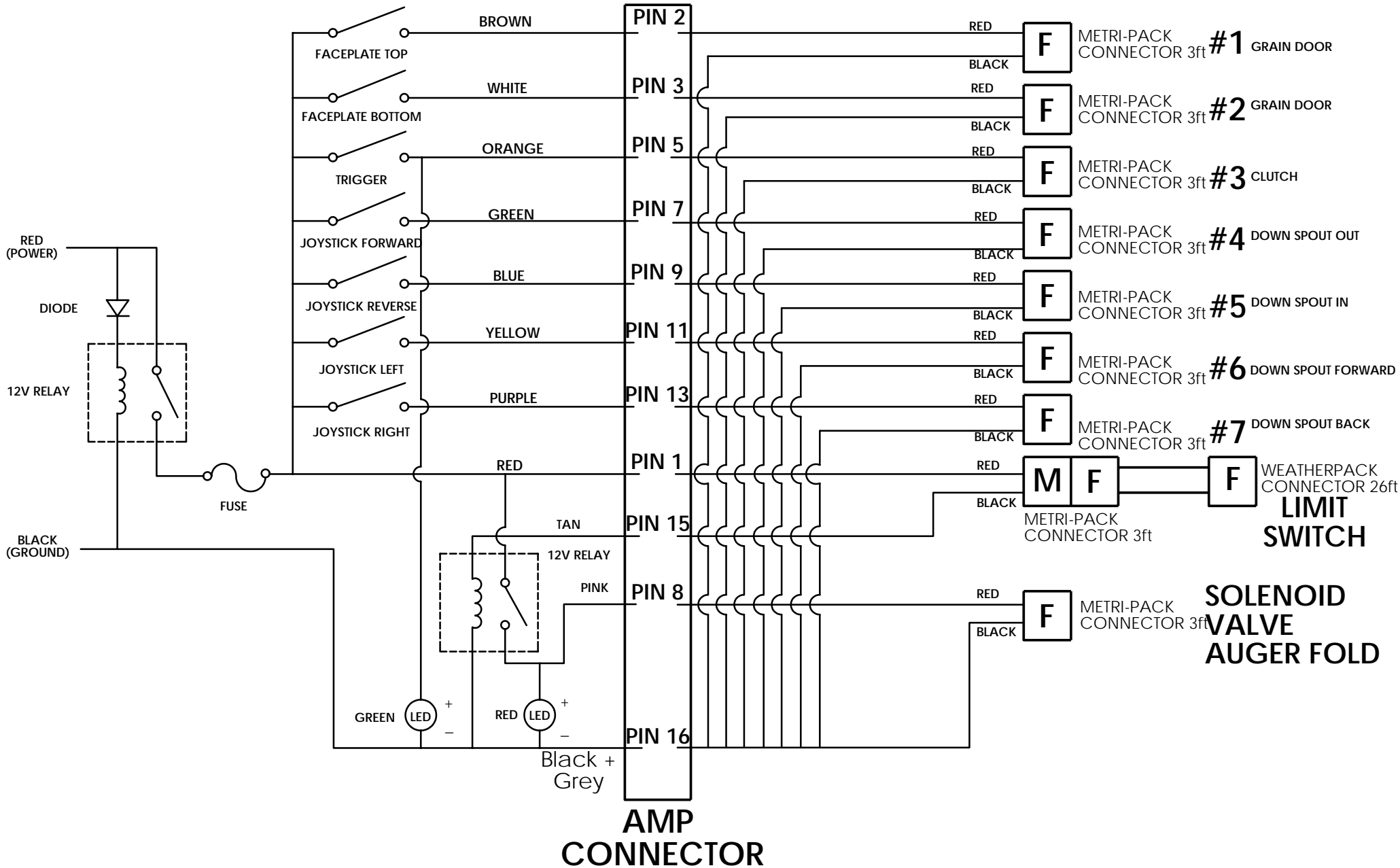
HYDRAULIC COMPONENTS MULTI-DIRECTIONAL DOWNSPOUT

ITEM #	QTY.	PART #	DESCRIPTION
1	1	12554	HYD MOTOR 17.9 CU IN
2	1	41710	HYD CYL 1.50"B X04.00"S X0.75R -WELD
3	1	41709	CLEVIS BRAKE LINKAGE
4	1	72109	HYD VALVE DIRECTIONAL 4 BANK (IC-4380)
5	1	71999	HYD VALVE SOLENOID PARKER #DSL102CD012LWS-A8T
6	1	8226	HYD CYL 2.50" B x10.00"S x1.12R -TIE ROD
7	1	91259	HYD CYL 6.00"B x22.00"S x2.75R -WELD-SOFT LAND
8	2	10459	HYD VALVE CHECK .50" NPTFM x .50" NPTFM
9	4	11023	HYD MISC PIONEER MALE 7.50NPTFM (S71-4)
10	4	28392	HYD MISC PIONEER DUST CAP (S49-4)
11	2	33559	HYD ELBOW .50NPTFSX .56ORM 90DEG (6901-6-8)
12	1	83741	HYD NIPPLE .75ORMX .87JICM (6400-10-8)
13	2	21661	HYD ELBOW .25NPTFMSX .56ORM 90DEG (6901-6-4)
14	2	20806	HYD COUPLER .25NPTFMSX .56ORM (6900-6-4)
15	1	21664	HYD NIPPLE .25NPTMX .25NPTM (5404-4)
16	2	83744	HYD NIPPLE .56JICMX .75ORM (6400-6-8)
17	4	83979	HYD NIPPLE .56ORMX .56JICM (6400-6)
18	2	72106	HYD NIPPLE .56ORMX .56JICM LONG (6400-6-L)
19	1	72110	HYD VALVE PRESSURE REDUCING 1000PSI
20	1	71627	HYD ELBOW .25NPTM X .50NPTFS 90DEG (1501-4-8)
21	1	33558	HYD ELBOW .25NPTFMS X .75 ORM 90DEG (6901-8-4)
22	1	37299	HYD ELBOW .56JICMX .56ORM 90DEG (6801-6)
23	2	21663	HYD ELBOW .25NPTFMX .25NPTFMS 90DEG (1501-4-4)
24	2	21201	HYD ELBOW .50NPTMX .25NPTFMS 90DEG (1501-8-4)
25	2	21171	HYD ELBOW .25NPTFMSX .37NPTM 90DEG (1501-6-4)
26	1	71741	HYD ROTATING COUPLER .25" NPT
27	1	72121	HYD HOSE .38X .50NPTFMX .56JICFMSX 21"LG
28	2	18471	HYD HOSE .25X .25NPTMSX .50NPTMX 340"LG
29	4	72107	HYD HOSE .25X .25NPTMX .56JICFMS 90DEGX 252"LG
30	1	83745	HYD HOSE .25X .25NPTMX .56JICFMS 90DEGX 40"LG
31	1	83976	HYD HOSE .37X .50NPTMX .56JICFMSX 185"LG
32	1	83977	HYD HOSE .37X .50NPTMX .56JICFMS 90DEG
33	2	8604	HYD NIPPLE .50NPTMX .50NPTM (5405-6)
34	1	83740	HYD HOSE .50X .50NPTMX .75JICFMS 90DEG 185"LG
35	1	33838	HYD HOSE .25X .25NPTMX .56JICFMS 90DEGX 185"LG
36	1	81271	HYD HOSE .25X .25NPTMSX .56JICMSX 96"LG.
37	1	72133	HYD BULKHEAD #6 JICM x #6 JICM (2700-LN-STR)
38	1	72132	HYD HOSE .25X .25NPTMX .56JICFMS 45DEGX 15"LG
39	2	72363	HOSE CLEAR 1.50"ID X .25 WALL X 36"LG

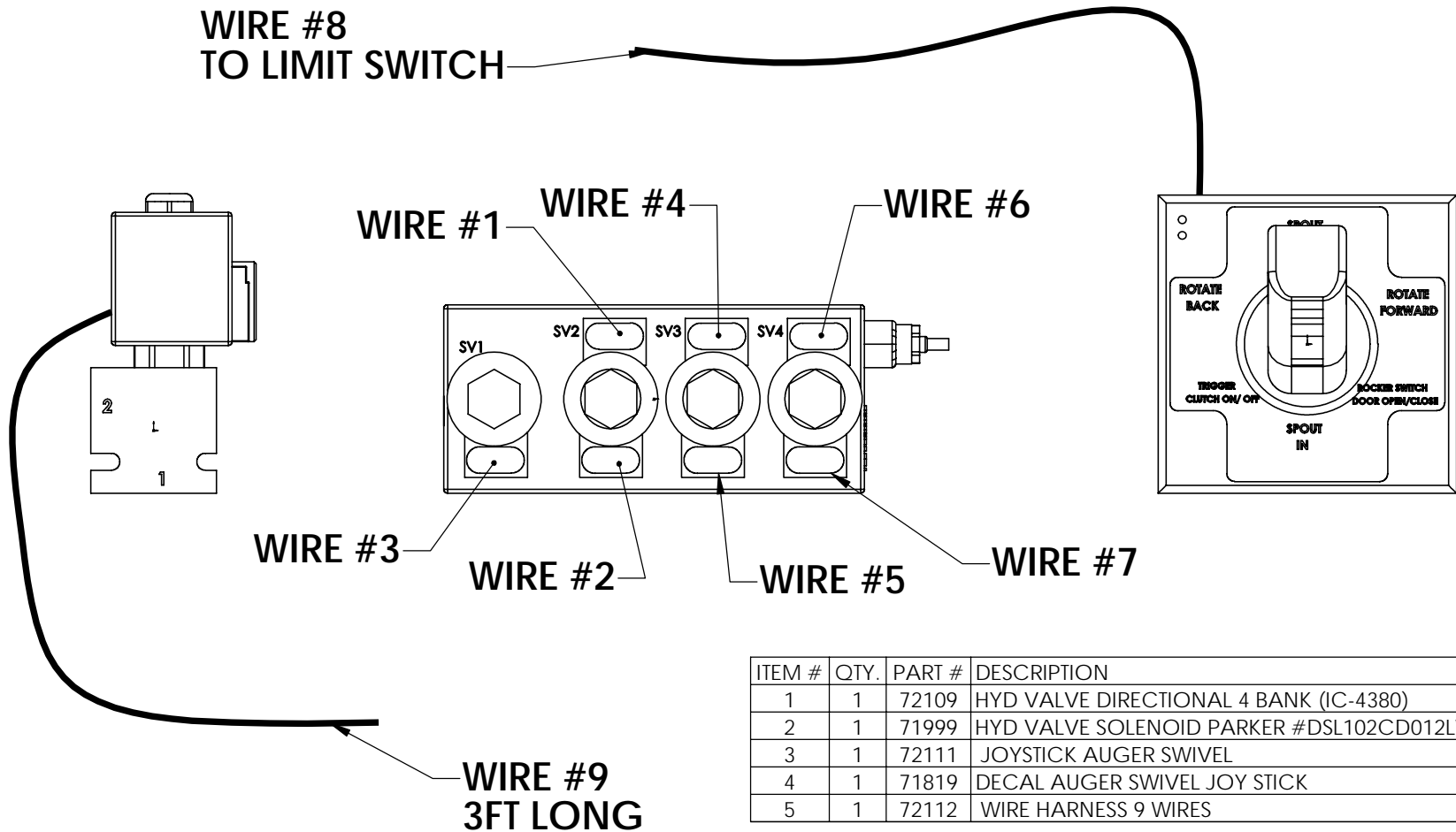
JOYSTICK CONTROLLER FOR MULTI-DIRECTIONAL DOWNSPOUT



ELECTRICAL SCHEMATIC FOR MULTI-DIRECTIONAL DOWNSPOUT W/ JOYSTICK CONTROL



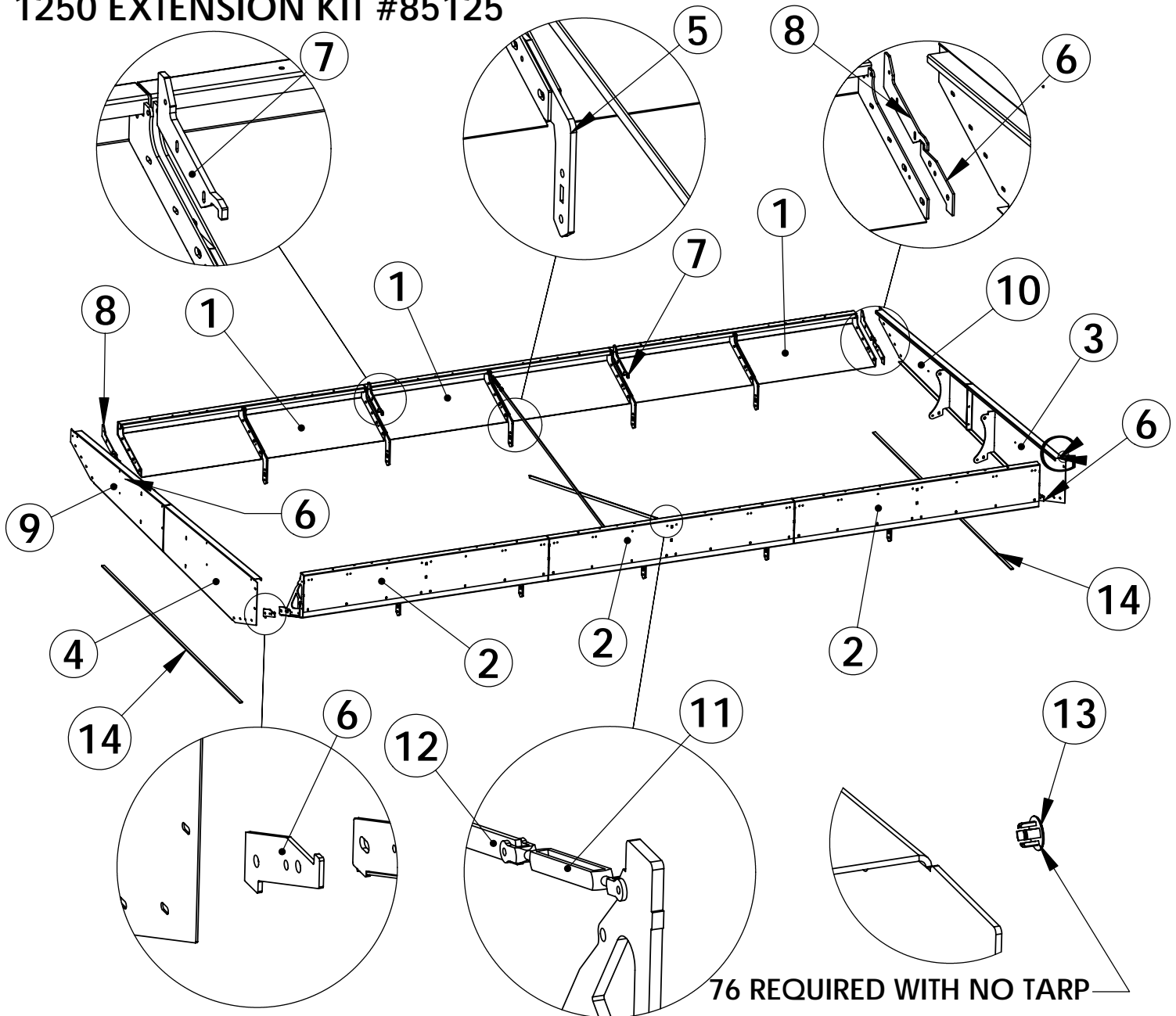
MULTI-DIRECTIONAL DOWNSPOUT VALVE PACKAGE WIRING DIAGRAM



FOR TEMPORARY BY-PASS TO ALLOW UPPER AUGER TO BE MOVED IF LIMIT SWITCH BECOMES MIS ALIGNED. PLUG WIRE # 9 AND WIRE #3 TOGETHER TO BYPASS, THEN UPPER AUGER CAN BE MOVED.

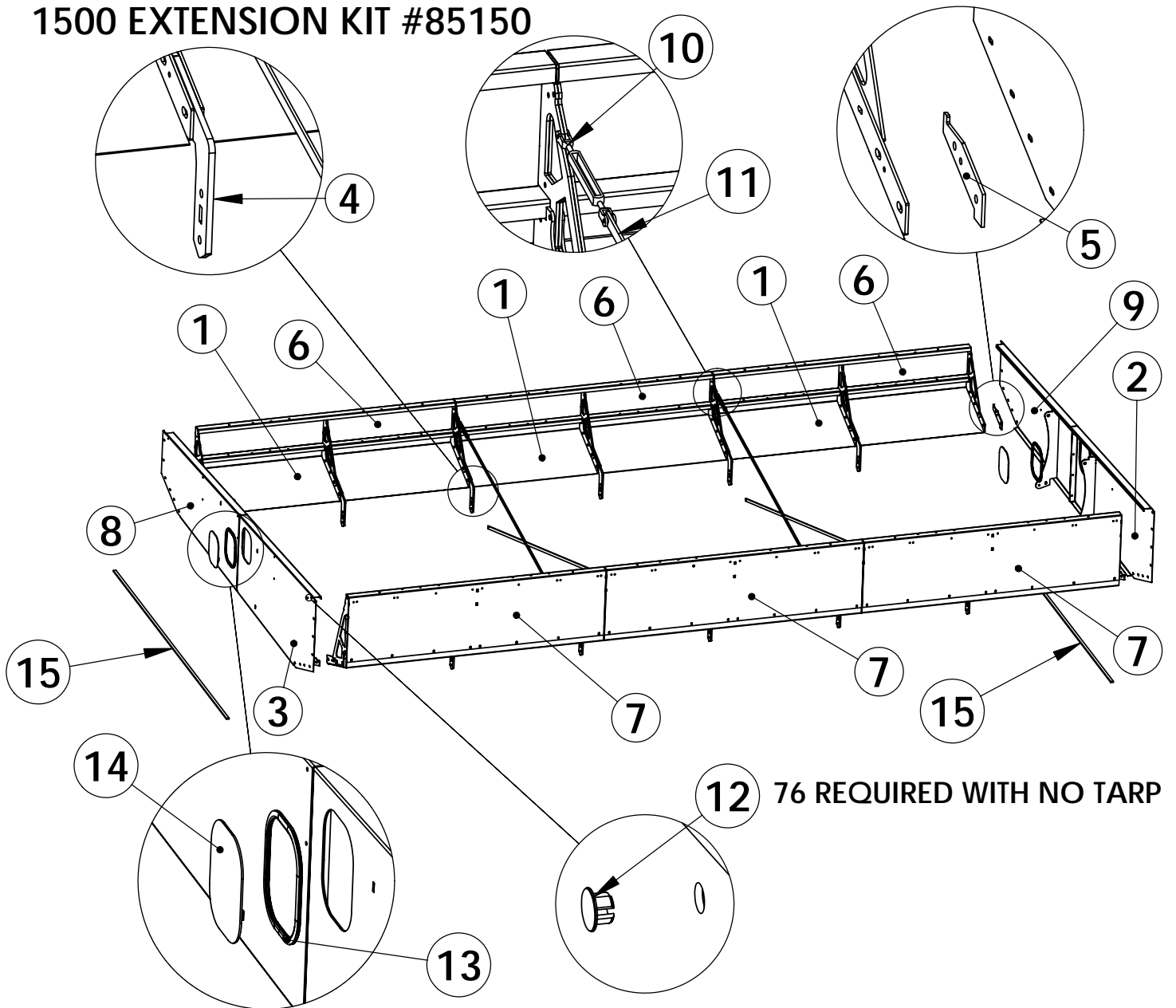
NOTE: VOLTAGE REQUIREMENTS 10 VOLTS MIN.

1250 EXTENSION KIT #85125



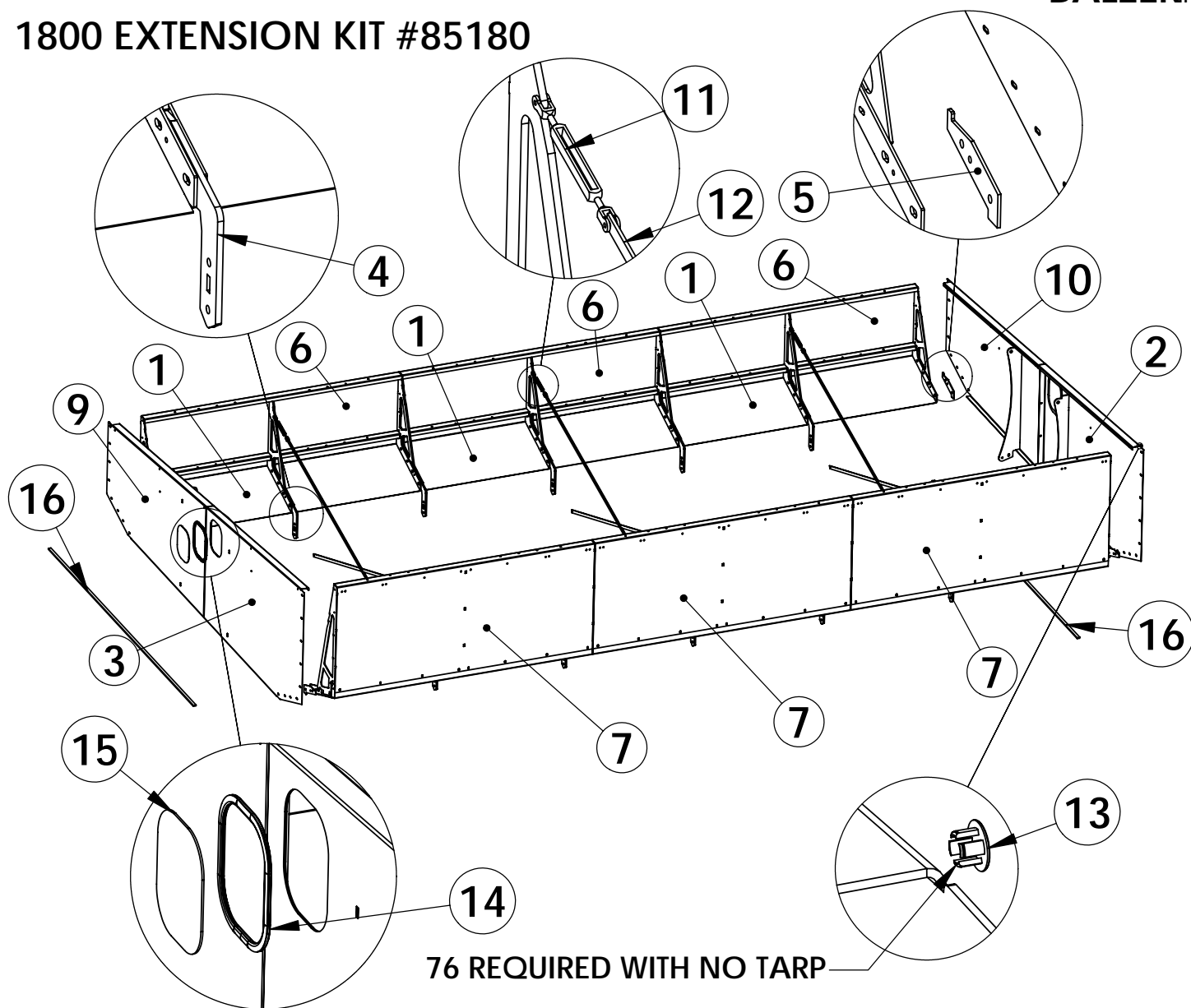
ITEM #	QTY.	PART #	DESCRIPTION
1	6	85130	EXTENSION PANEL LOWER WELDMENT
2	3	85135	EXTENSION PANEL UPPER WELDMENT 11 9/16" TALL
3	1	85145	EXTENSION PANEL REAR AUGER SIDE WELDMENT
4	1	85146	EXTENSION PANEL FRONT AUGER SIDE WELDMENT
5	10	85133	EXTENSION MOUNT 1/2" STAKE
6	4	85132	EXTENSION OUTER LOWER SPACER 1/4"
7	2	85105	EXTENSION INNER FILLER STAKE 1/2"
8	2	85107	EXTENSION OUTER UPPER SPACER 1/4"
9	1	85140	EXTENSION PANEL FRONT NON-AUGER SIDE WELDMENT
10	1	85141	EXTENSION PANEL REAR NON-AUGER SIDE WELDMENT
11	2	94584	TURNBUCKLE .37"x6" JAW/JAW
12	2	85084	STRAP 1/4" x 1" x 120"
13	76	84916	PLUG FINISH FOR 3/8" HOLE
14	2	85075	GASKET 1" x 3/8" x 25' LONG

1500 EXTENSION KIT #85150



ITEM #	QTY.	PART #	DESCRIPTION
1	6	85130	EXTENSION PANEL LOWER WELDMENT
2	1	85155	EXTENSION PANEL REAR AUGER SIDE WELDMENT
3	1	85156	EXTENSION PANEL FRONT AUGER SIDE WELDMENT
4	10	85133	EXTENSION MOUNT 1/2" STAKE
5	4	85132	EXTENSION OUTER LOWER SPACER 1/4"
6	3	85135	EXTENSION PANEL UPPER WELDMENT 11 9/16" TALL
7	3	85151	EXTENSION PANEL UPPER WELDMENT 22 5/16" TALL
8	1	85160	EXTENSION PANEL FRONT NON-AUGER SIDE WELDMENT
9	1	85161	EXTENSION PANEL REAR NON-AUGER SIDE WELDMENT
10	4	94584	TURNBUCKLE .37"x6" JAW/JAW
11	4	85084	STRAP 1/4" x 1" x 120"
12	76	84916	PLUG FINISH FOR 3/8" HOLE
13	2	90739	RUBBER SEAL - WEATHERSTRIP
14	2	90318	WINDOW IN GRAIN CART
15	2	85075	GASKET 1" x 3/8" x 25' LONG

1800 EXTENSION KIT #85180



76 REQUIRED WITH NO TARP

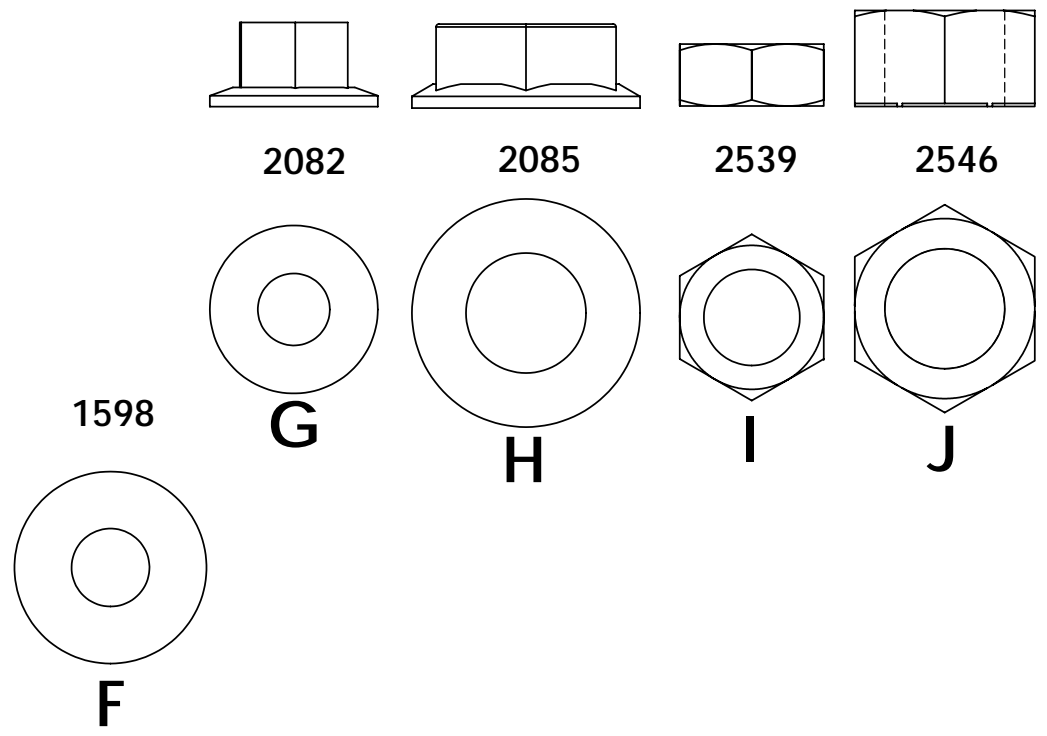
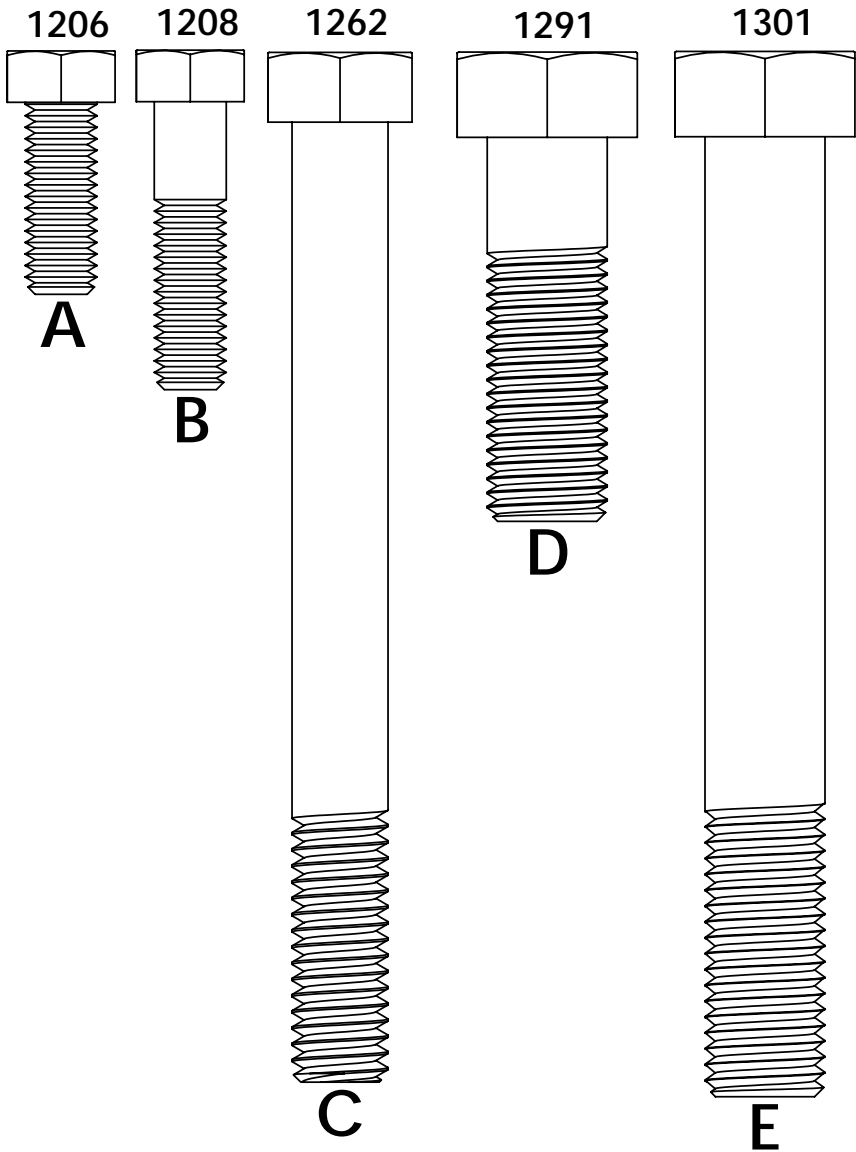
ITEM #	QTY.	PART #	DESCRIPTION
1	6	85130	EXTENSION PANEL LOWER WELDMENT
2	1	85185	EXTENSION PANEL REAR AUGER SIDE WELDMENT
3	1	85186	EXTENSION PANEL FRONT AUGERSIDE WELD
4	10	85133	EXTENSION MOUNT 1/2" STAKE
5	4	85132	EXTENSION OUTER LOWER SPACER 1/4"
6	3	85151	EXTENSION PANEL UPPER WELDMENT 22 5/16" TALL
7	3	85181	EXTENSION PANEL UPPER 37 7/16"
8	2	85105	EXTENSION INNER FILLER STAKE 1/2"
9	1	85190	EXTENSION PANEL FRONT NON-AUGERSIDE WELD
10	1	85191	EXTENSION PANEL REAR NON-AUGERSIDE WELDMENT
11	8	94584	TURNBUCKLE .37"x6" JAW/JAW
12	8	85084	STRAP 1/4" x 1" x 120"
13	1	84916	PLUG FINISH FOR 3/8" HOLE
14	2	90739	RUBBER SEAL - WEATHERSTRIP
15	2	90318	WINDOW IN GRAIN CART
16	2	85075	GASKET 1" x 3/8" x 25' LONG

Extension Bolt Locations

1250 GC EXTENSIONS			
BOLT KIT			
	PART #	DESCRIPTION	QUANTITY
A	1206	3/8-16X1 HCS Z 5	34
B	1208	3/8-16X1 1/2 HCS Z 5	52
F	1598	3/8 USS FW Z	54
D	1291	5/8-11X2 HCS Z 5	20
E	1301	5/8-11X5 HCS Z 5	20
C	1262	1/2-13X5 HCS Z5	8
I	2539	TOP LK 1/2-13 GR C	8
J	2546	TOP LK 5/8-11 GR C	20
H	2085	FLNG LK REG Z 5/8-11	20
G	2082	FLNG LK REG Z 3/8-16	86
1500 GC EXTENSIONS			
BOLT KIT			
	PART #	DESCRIPTION	QUANTITY
A	1206	3/8-16X1 HCS Z 5	70
B	1208	3/8-16X1 1/2 HCS Z 5	54
F	1598	3/8 USS FW Z	87
D	1291	5/8-11X2 HCS Z 5	21
E	1301	5/8-11X5 HCS Z 5	21
C	1262	1/2-13X5 HCS Z5	9
I	2539	TOP LK 1/2-13 GR C	9
J	2546	TOP LK 5/8-11 GR C	21
H	2085	FLNG LK REG Z 5/8-11	21
G	2082	FLNG LK REG Z 3/8-16	124
1850 GC EXTENSIONS			
BOLT KIT			
	PART #	DESCRIPTION	QUANTITY
A	1206	3/8-16X1 HCS Z 5	77
B	1208	3/8-16X1 1/2 HCS Z 5	66
F	1598	3/8 USS FW Z	93
D	1291	5/8-11X2 HCS Z 5	21
E	1301	5/8-11X5 HCS Z 5	21
C	1262	1/2-13X5 HCS Z5	9
I	2539	TOP LK 1/2-13 GR C	9
J	2546	TOP LK 5/8-11 GR C	21
H	2085	FLNG LK REG Z 5/8-11	21
G	2082	FLNG LK REG Z 3/8-16	142

Parts

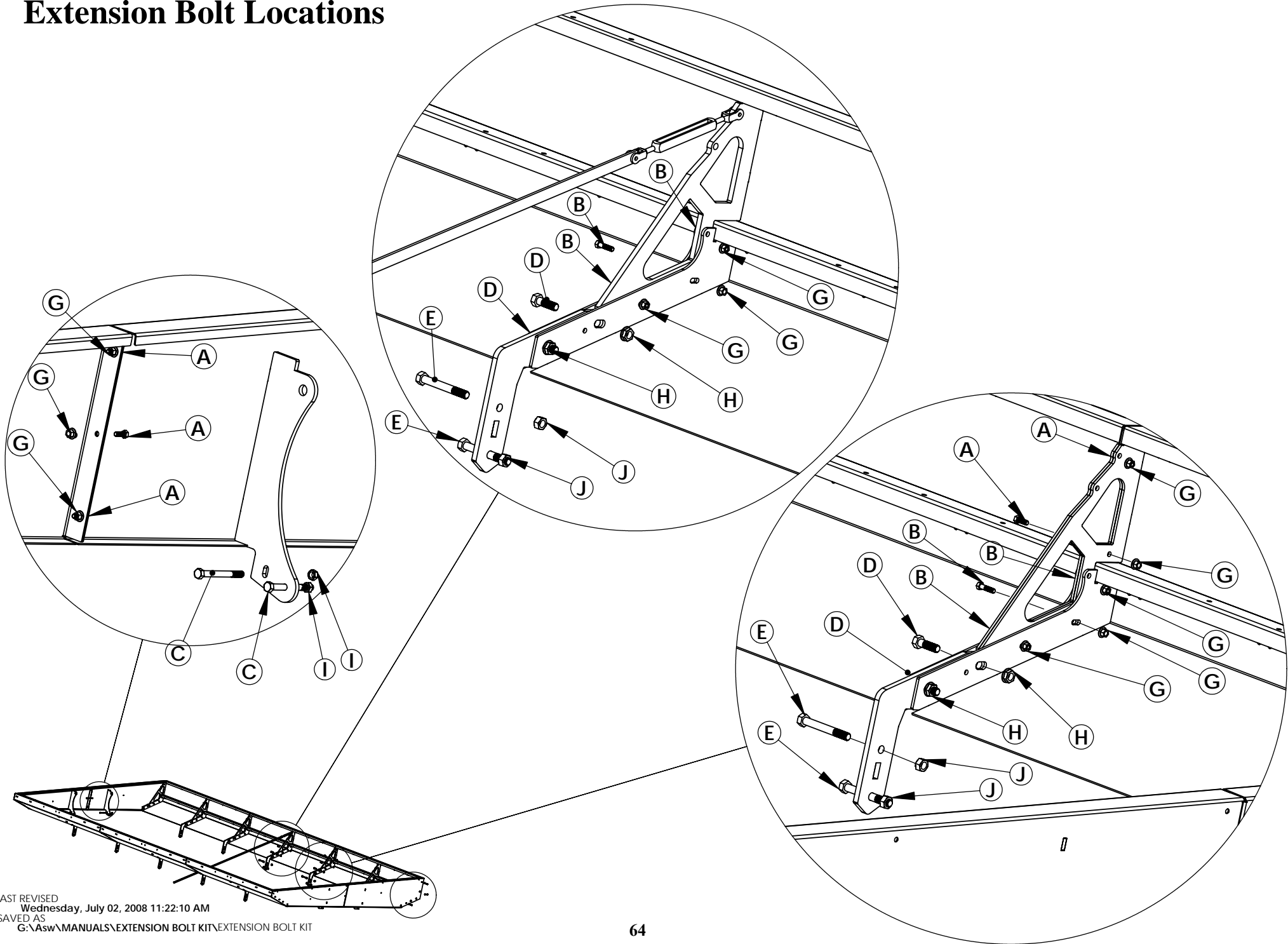
Extension Bolt Locations



DRAWINGS ARE FULL SIZE

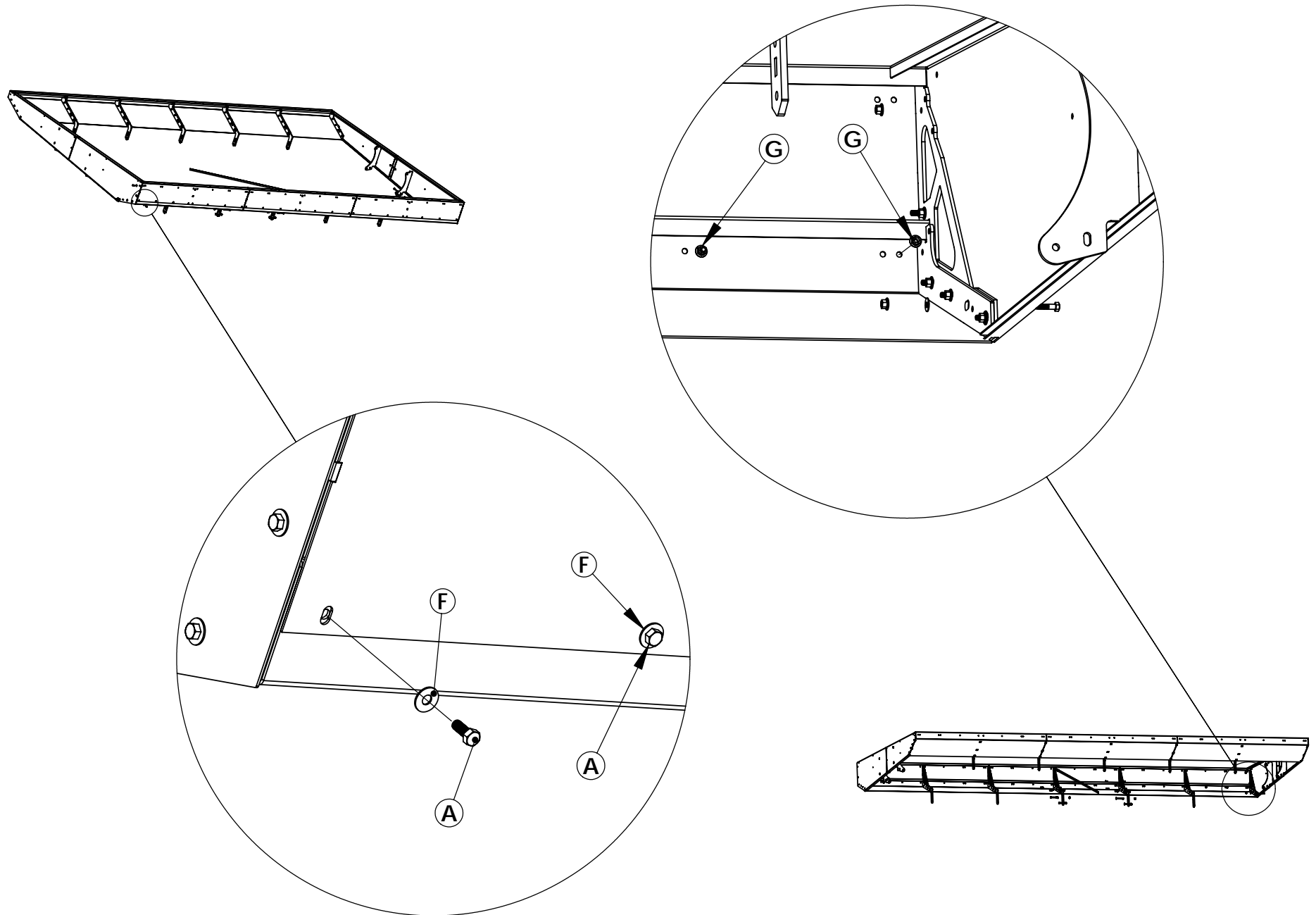
Parts

Extension Bolt Locations



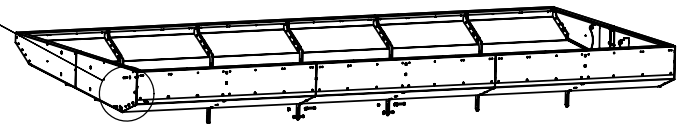
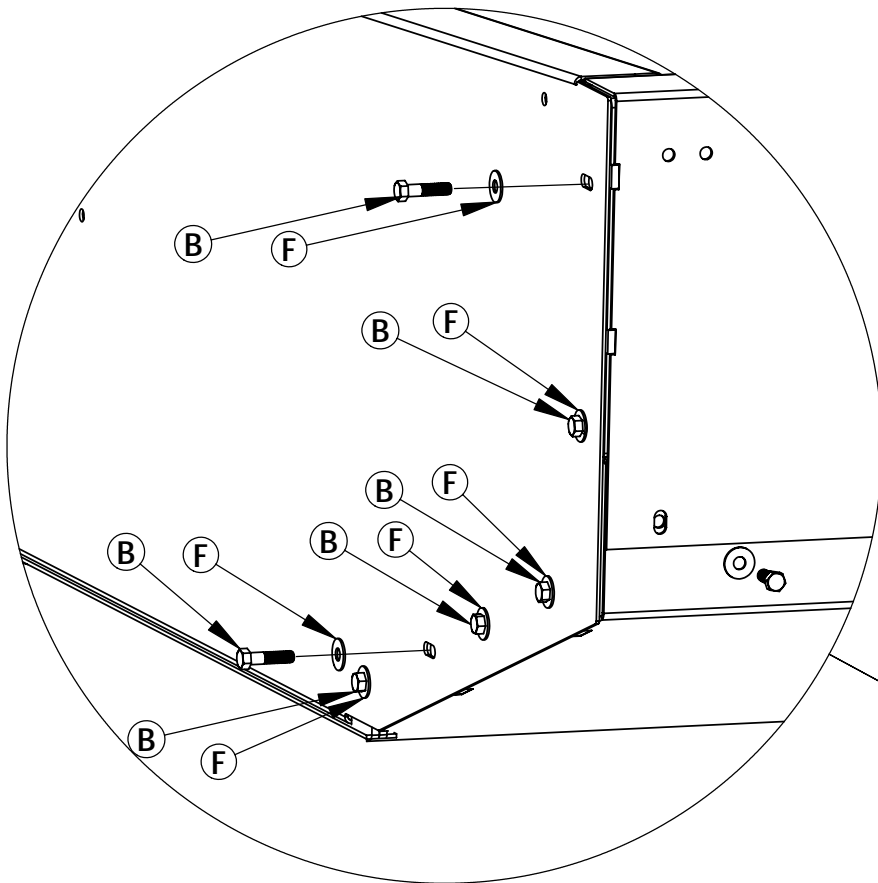
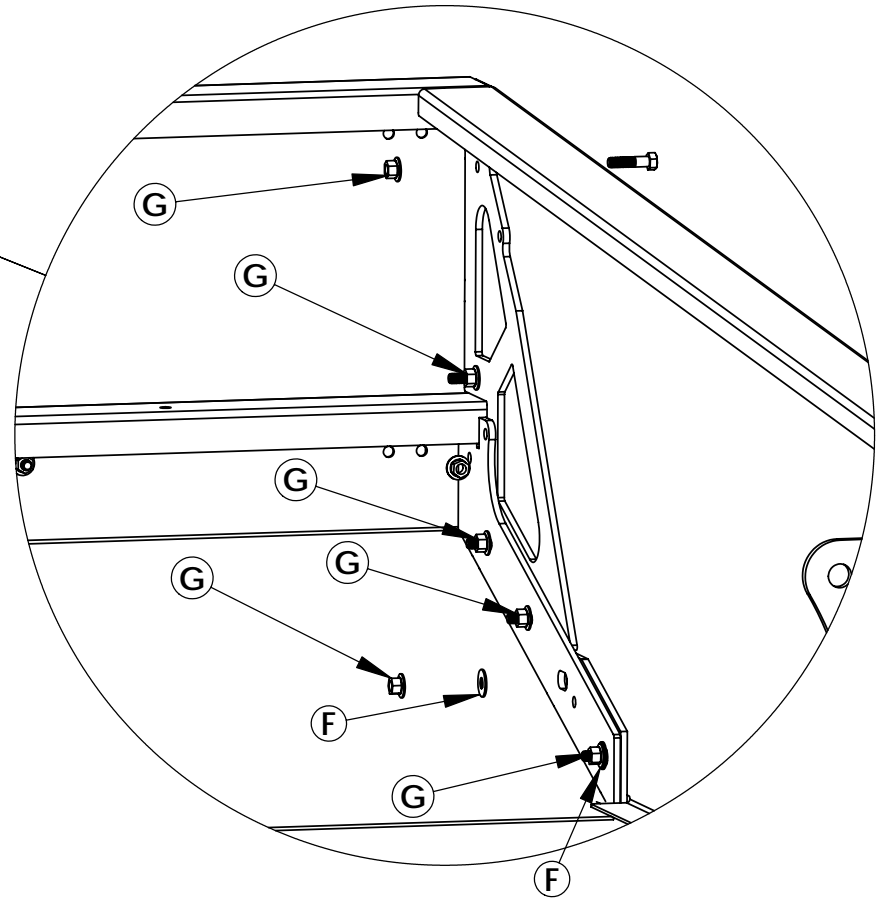
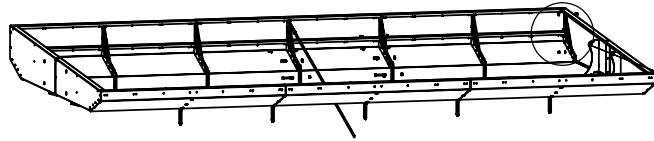
Parts

Extension Bolt Locations



Parts

Extension Bolt Locations



Parts



IT IS THE POLICY OF BALZER COMPANY TO CONSTANTLY IMPROVE ITS PRODUCTS WHENEVER IT IS PRACTICAL TO DO SO. THEREFORE, BALZER COMPANY RESERVES THE RIGHT TO REDESIGN OR CHANGE ITS EQUIPMENT OR COMPONENT PARTS THEREOF WITHOUT INCURRING THE OBLIGATION TO INSTALL OR FURNISH SUCH CHANGES ON EQUIPMENT PREVIOUSLY DELIVERED.

INSTRUCTIONS FOR ORDERING PARTS

To enable our customer service department to provide you with the correct replacement parts promptly and accurately, follow the ordering instructions as listed below.

Identify your equipment by serial number whenever possible.

Use part numbers and descriptions from the illustration drawings furnished to assist in identifying the needed parts.

Owners, order all parts through your local dealer.

Dealers must indicate company name, shipping point and mailing address for notification if different from shipping point. State whether freight, express, parcel or other handling is desired.

Send all parts to:

Balzer Inc.
County Road 27 East
PO Box 458
Mountain Lake, Mn 56159



INSTRUCTIONS FOR RETURNING PARTS FOR ADJUSTMENT

Dealers should inspect all parts when received. Shortages or damage should be noted by the carrier agent at the time the parts are accepted. Shippers responsibility ceases upon delivery of shipment to customer in good order. Claims for damage, loss, or malfunction are to be reported within thirty (30) days for warranty considerations.

All returned parts must have return authorization, a copy of the original packing list and transportation prepaid.

For replacement parts contact:

Ken Classen Extension 104
Doug Wellman Extension 108

For Service Contact:

Dave Bennett Extension 134

Phone Number: (800) 795-8551

(800) 727-3133

Main: (507) 427-3133

Fax Number: (507) 427-3640

Website: <http://www.balzerinc.com>

