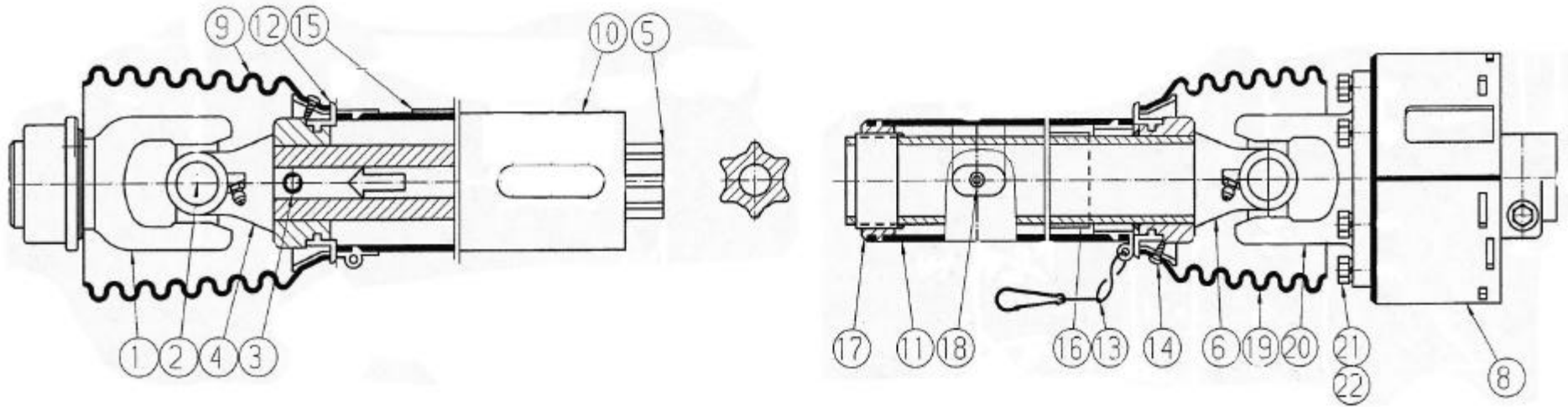


WALTERSCHEID HEAVY DUTY DIRECT DRIVE PTO, 1 3/4-20 1000 RPM



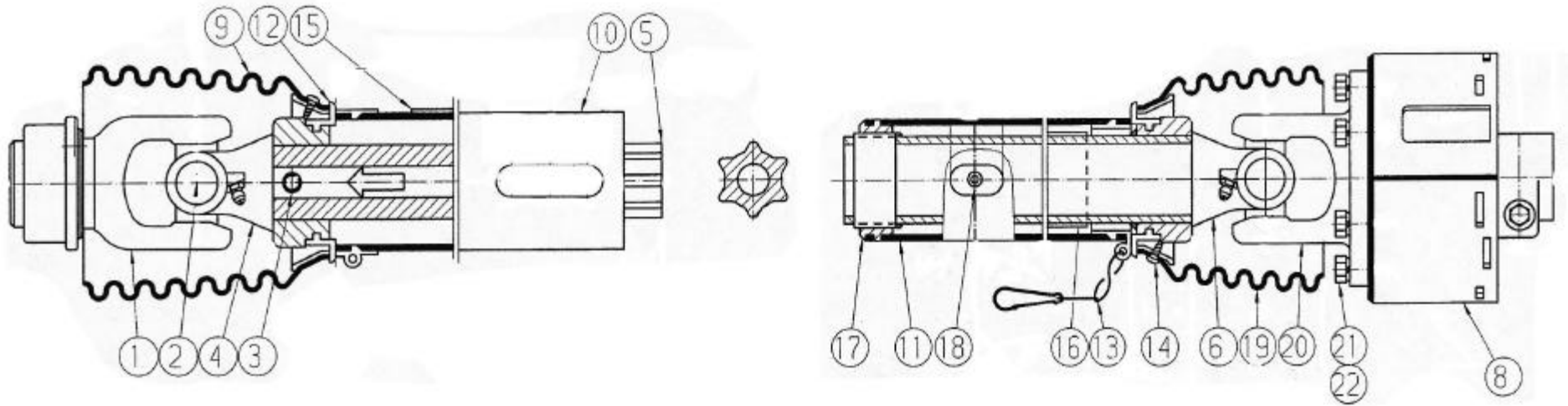
OVERALL COMPRESSED LENGTH IS 38.42"

ITEM	PART#	QTY	DESCRIPTION	ITEM	PART#	QTY	DESCRIPTION
1	17200	1	YOKE 1 3/4 20 SP WALTERSCHEID	13	16815	1	SAFETY CHAIN
2	17157	2	CROSS & BEARING KIT	14	16818	1	SCREWS IN 9
3	17158	1	SPRING PIN 10x90	15	16816	2	DECAL OUT-IN ITEM 10
4	17159	1	YOKE INBOARD WALTERSCHEID	16	16817	1	DECAL INN-IN ITEM 6
5	50982	1	PROFILE INNER S5GA	17	17171	1	SUPPORT BEARING
6	50625	1	PROFILE & SLEEVE S5H	18	16820	1	ZERK IN ITEM #6
7				19	50454	1	SHIELD CONE 6 RIB
8	65647	1	HEAVY DUTY FRICTION-OVERRUNNING CLUTCH	20	50619	1	FLANGE YOKE
9	17163	1	SHIELD CONE 7 RIB	21	3043	6	BOLT 12mm X 30mm
10	50656	1	SHIELD TUBE OUTER RICE SHREDDER	22	3063	6	LOCKWASHER 12mm
11	50657	1	INN SHIELD TUBE RND	23	17173	1	COLLAR KIT 1 3/4 WALTERSCHEID
12	16814	1	BEARING RING SC25	24			

COMPLETE PTO PART# 65552

2/17/05

WALTERSCHEID HEAVY DUTY DIRECT DRIVE PTO, 1 3/8-21, 1000 RPM

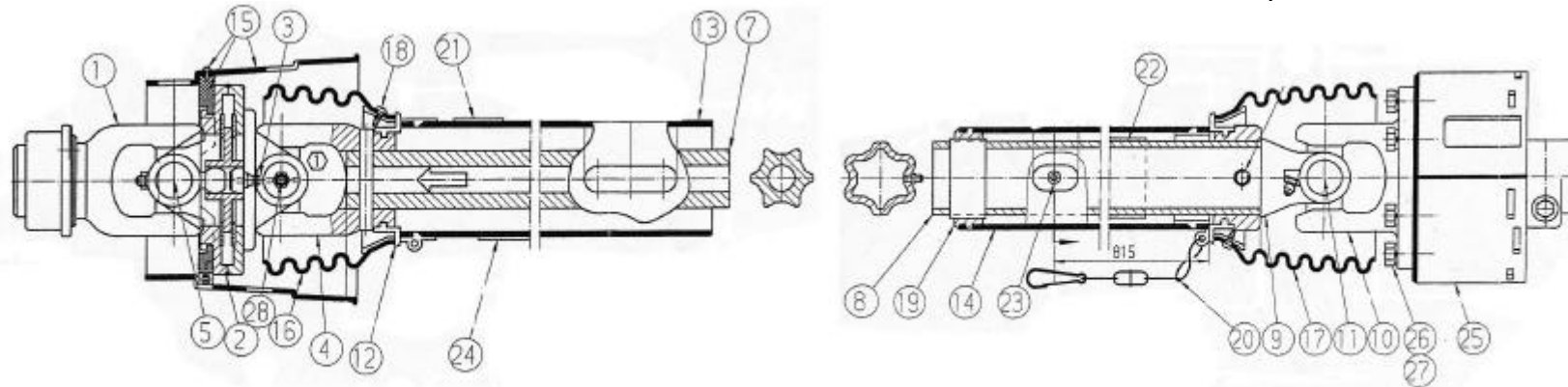


OVERALL COMPRESSED LENGTH IS 38.42"

ITEM	PART#	QTY	DESCRIPTION	ITEM	PART#	QTY	DESCRIPTION
1	17479	1	YOKE 1 3/8 21 SP WALTERSCHEID	13	16815	1	SAFETY CHAIN
2	17157	2	CROSS & BEARING KIT	14	16818	1	SCREWS IN 9
3	17158	1	SPRING PIN 10x90	15	16816	2	DECAL OUT-IN ITEM 10
4	17159	1	YOKE INBOARD WALTERSCHEID	16	16817	1	DECAL INN-IN ITEM 6
5	50982	1	PROFILE INNER S5GA	17	17171	1	SUPPORT BEARING
6	50625	1	PROFILE & SLEEVE S5H	18	16820	1	ZERK IN ITEM #6
7				19	50454	1	SHIELD CONE 6 RIB
8	65647	1	HEAVY DUTY FRICTION-OVERRUNNING CLUTCH	20	50619	1	FLANGE YOKE
9	17163	1	SHIELD CONE 7 RIB	21	3043	6	BOLT 12mm X 30mm
10	50656	1	SHIELD TUBE OUTER RICE SHREDDER	22	3063	6	LOCKWASHER 12mm
11	50657	1	INN SHIELD TUBE RND	23	17172	1	COLLAR KIT 1 3/8 WALTERSCHEID
12	16814	1	BEARING RING SC25	24			

COMPLETE PTO PART# 65553

WALTERSCHEID PULL TYPE DIRECT DRIVE CV PTO, 1 3/4-20 1000



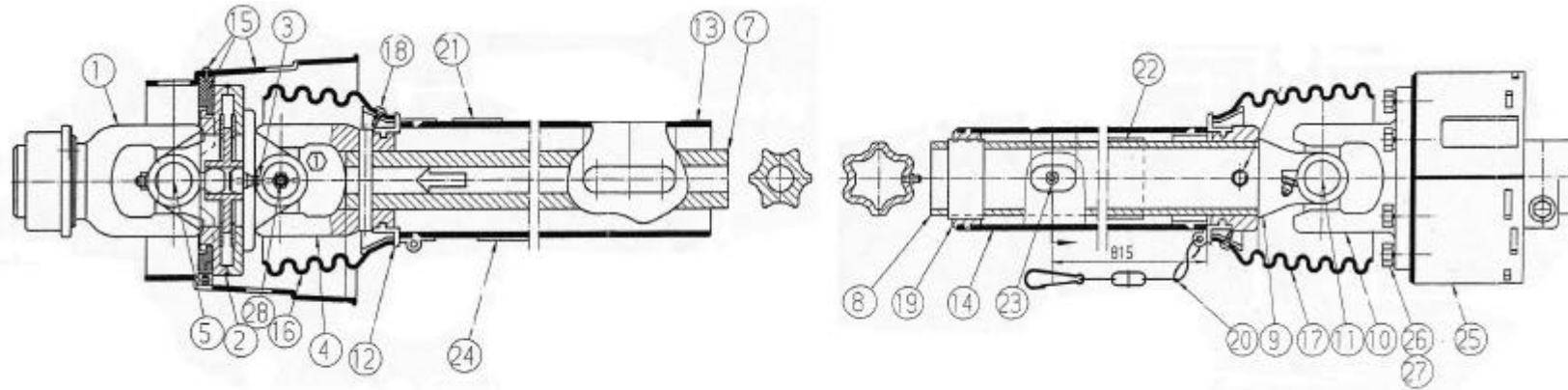
OVERALL COMPRESSED LENGTH IS 65.60"

ITEM	PART#	QTY	DESCRIPTION	ITEM	PART#	QTY	DESCRIPTION
1	16792	1	YOKE 1 3/4- 20 SPL	16	50450	1	SHIELD CONE 4 RIB
2	17194	1	DOUBLE YOKE	17	50454	1	SHIELD CONE 6 RIB
3	17195	1	ZERK-IN ITEM 2	18	16818	8	SCREWS IN 15,16,&17
4	50621	1	INBOARD YOKE S4	19	17171	1	SUPPORT BEARING
5	17197	2	CROSS & BEARING KIT	20	16815	1	SAFETY CHAIN
6	17158	2	SPRING PIN 10x90	21	16816	1	DECAL OUT-IN ITEM 13
7	50459	1	INNER PROFILE S4GA	22	16817	1	DECAL INN-IN ITEM 8
8	50622	1	PROFILE S5H AND SLEEVE	23	16820	1	ZERK-IN ITEM 8
9	17162	1	INBOARD YOKE S5	24		1	LUBRICATION DECAL
10	50619	1	FLANGED YOKE	25	65647	1	HD FRICTION/OVERRUNNING CLUTCH
11	17157	1	CROSS & BEARING KIT	26	3043	6	BOLT 12mm X 30mm
12	16814	2	BEARING RING SC25	27	3063	6	LOCKWASHER 12mm
13	50623	1	SHIELD TUBE OUTER	28	50620	1	CROSS & BEARING KIT
14	50456	1	SHIELD TUBE INNER SHREDDER CV	REF	17173	1	LOCKCOLLAR FOR ITEM# 1
15	50624	1	CV CONE & BRG ASSY				

COMPLETE PTO PART# 65554

2/17/05

WALTERSCHEID PULL TYPE CV DIRECT DRIVE PTO, 1 3/8-21 1000

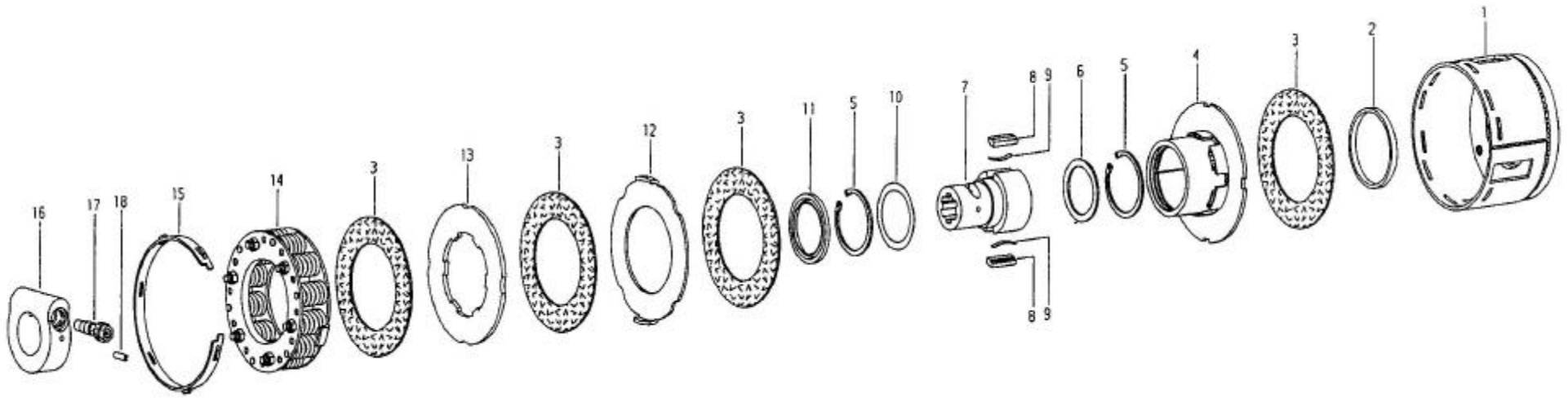


OVERALL COMPRESSED LENGTH IS 65.60"

ITEM	PART#	QTY	DESCRIPTION	ITEM	PART#	QTY	DESCRIPTION
1	17169	1	YOKE 1 3/8-21 SPL	16	50450	1	SHIELD CONE 4 RIB
2	17194	1	DOUBLE YOKE	17	50454	1	SHIELD CONE 6 RIB
3	17195	1	ZERK-IN ITEM 2	18	16818	8	SCREWS IN 15,16,&17
4	50621	1	INBOARD YOKE S4	19	17171	1	SUPPORT BEARING
5	17197	2	CROSS & BEARING KIT	20	16815	1	SAFETY CHAIN
6	17158	2	SPRING PIN 10x90	21	16816	1	DECAL OUT-IN ITEM 13
7	50459	1	INNER PROFILE S4GA	22	16817	1	DECAL INN-IN ITEM 8
8	50622	1	PROFILE S5H AND SLEEVE	23	16820	1	ZERK-IN ITEM 8
9	17162	1	INBOARD YOKE S5	24		1	LUBRICATION DECAL
10	50619	1	FLANGED YOKE	25	65647	1	HD FRICTION/OVERRUNNING CLUTCH
11	17157	1	CROSS & BEARING KIT	26	3043	6	BOLT 12mm X 30mm
12	16814	2	BEARING RING SC25	27	3063	6	LOCKWASHER 12mm
13	50623	1	SHIELD TUBE OUTER	28	50620	1	CROSS & BEARING KIT
14	50456	1	SHIELD TUBE INNER SHREDDER CV	REF	17172	1	LOCKCOLLAR FOR ITEM# 1
15	50624	1	CV CONE & BRG ASSY				

COMPLETE PTO PART# 65555

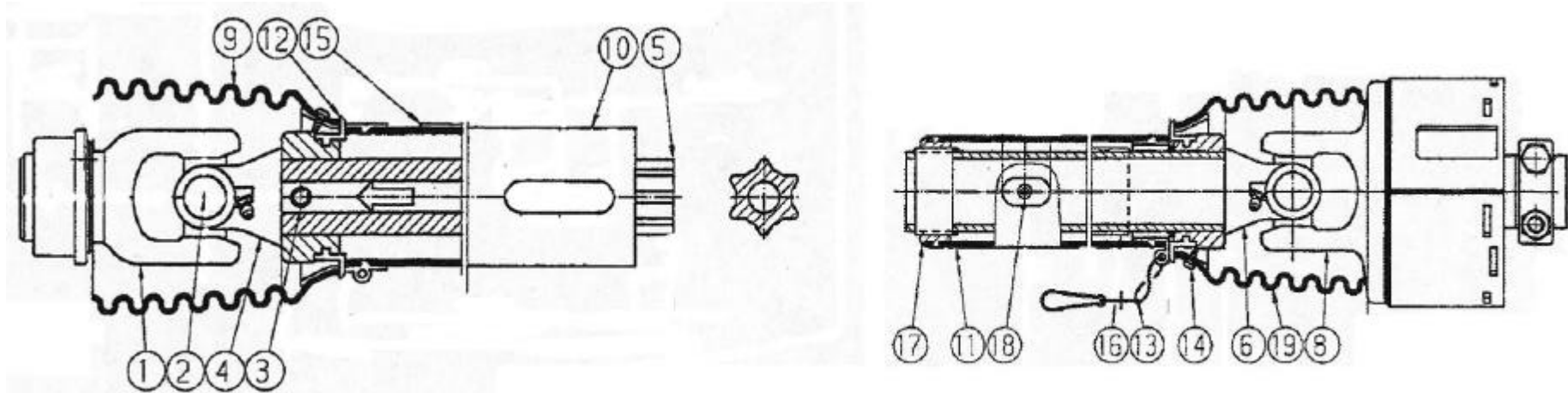
HEAVY DUTY FRICTION CLUTCH, PART NUMBER 65647



ITEM#	PART#	QTY	DESCRIPTION	ITEM#	PART#	QTY	DESCRIPTION
1	50608	1	HOUSING	10	50479	1	WASHER 59.8X72
2	50471	1	WEAR RING	11	50480	1	SEAL RING
3	50607	4	FRICTION DISC	12	50611	1	DRIVE PLATE
4	50609	1	OVERRUNNING HOUSING	13	50612	1	DRIVE PLATE
5	50474	2	RETAINING RING	14	50613	1	SPRING PACK
6	50475	1	WASHER 56X72	15	50614	1	SETTING RING
7	50610	1	HUB	16	50615	1	CLAMPING RING
8	50477	2	DRIVE KEY	17	50616	1	CLAMPING CONE (TORQUE TO 75 FT POUNDS)
9	50478	2	LEAF SPRING	18	50617	1	SPRING PIN 6X22

USED ON PTO NUMBERS 65552-65555, 26.5' AND ABOVE DIRECT DRIVE

WALTERSCHEID MOUNTED DIRECT DRIVE PTO, 1 3/8-21 1000 RPM



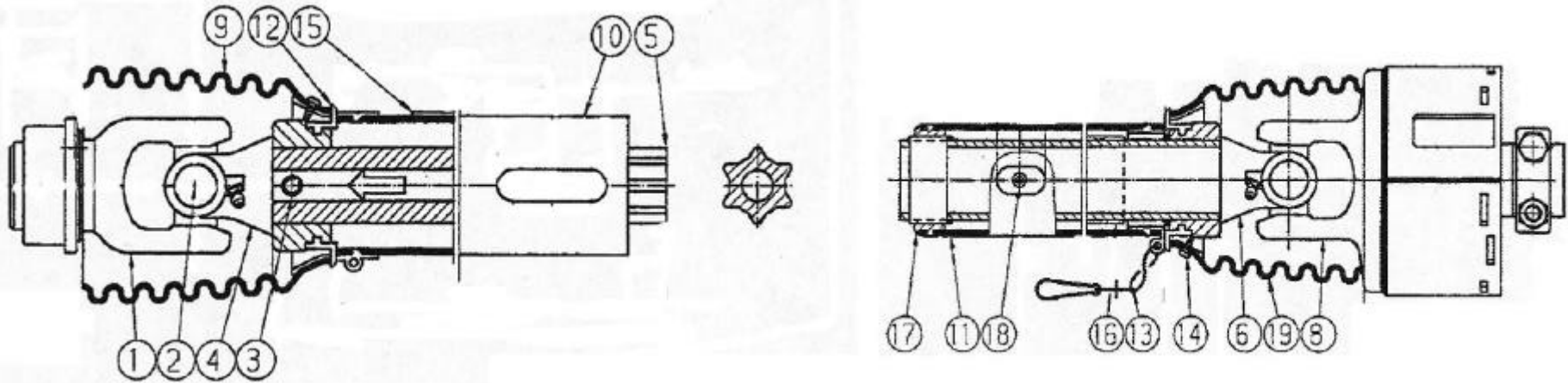
TR 1/2=50467, OVERALL COMPRESSED LENGTH IS 38.42", IMP 1/2=50468

ITEM	PART#	QTY	DESCRIPTION	ITEM	PART#	QTY	DESCRIPTION
1	17479	1	YOKE 1 3/8 21 SP WALTERSCHEID	11	50463	1	INN SHIELD TUBE RND
2	17157	2	CROSS & BEARING KIT	12	16814	1	BEARING RING SC25
3	17158	1	SPRING PIN 10x90	13	16815	1	SAFETY CHAIN
4	17159	1	YOKE INBOARD WALTERSCHEID	14	16818	1	SCREWS IN 9
5	50460	1	PROFILE INNER S4GA PRICE SHEDDER	15	16816	2	DECAL OUT-IN ITEM 10
6	50461	1	PROFILE & SLEEVE S5H RICE SHREDDER	16	16817	1	DECAL INN-IN ITEM 6
7				17	17171	1	SUPPORT BEARING
8	50457	1	OVERRUNNING/FRICTION CLUTCH	18	16820	1	ZERK IN ITEM# 6
9	17163	1	SHIELD CONE 7 RIB	19	50454	1	SHIELD CONE 6 RIB
10	50462	1	SHIELD TUBE OUTER	20	17172	1	COLLAR KIT 1 3/8 WALTERSCHEID

COMPLETE PTO PART# 65071

2/18/05

WALTERSCHEID MOUNTED DIRECT DRIVE PTO, 1 3/4-20 1000 RPM



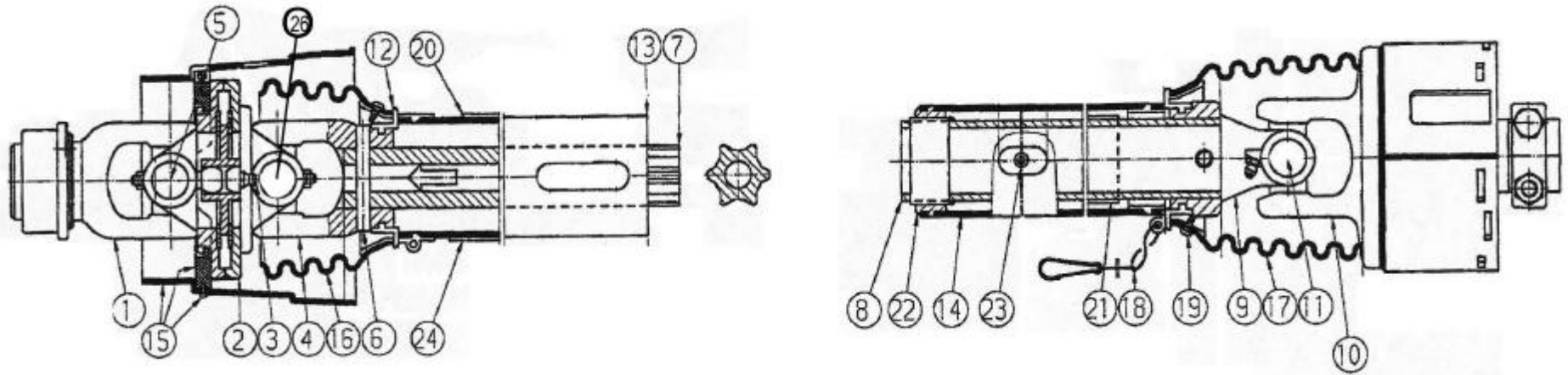
TR 1/2=50469, OVERALL COMPRESSED LENGTH IS 38.42", IMP 1/2=50468

ITEM	PART#	QTY	DESCRIPTION	ITEM	PART#	QTY	DESCRIPTION
1	17200	1	YOKE 1 3/8 21 SP WALTERSCHEID	11	50463	1	INN SHIELD TUBE RND
2	17157	2	CROSS & BEARING KIT	12	16814	1	BEARING RING SC25
3	17158	1	SPRING PIN 10x90	13	16815	1	SAFETY CHAIN
4	17159	1	YOKE INBOARD WALTERSCHEID	14	16818	1	SCREWS IN 9
5	50460	1	PROFILE INNER S4GA PRICE SHEDDER	15	16816	2	DECAL OUT-IN ITEM 10
6	50461	1	PROFILE & SLEEVE S5H RICE SHREDDER	16	16817	1	DECAL INN-IN ITEM 6
7				17	17171	1	SUPPORT BEARING
8	50457	1	OVERRUNNING/FRICTION CLUTCH	18	16820	1	ZERK IN ITEM# 6
9	17163	1	SHIELD CONE 7 RIB	19	50454	1	SHIELD CONE 6 RIB
10	50462	1	SHIELD TUBE OUTER	20	17173	1	COLLAR KIT 1 3/4 WALTERSCHEID

COMPLETE PTO PART# 65072

2/18/05

WALTERSCHEID PULL TYPE DIRECT DRIVE CV PTO, 1 3/8-21, 1000



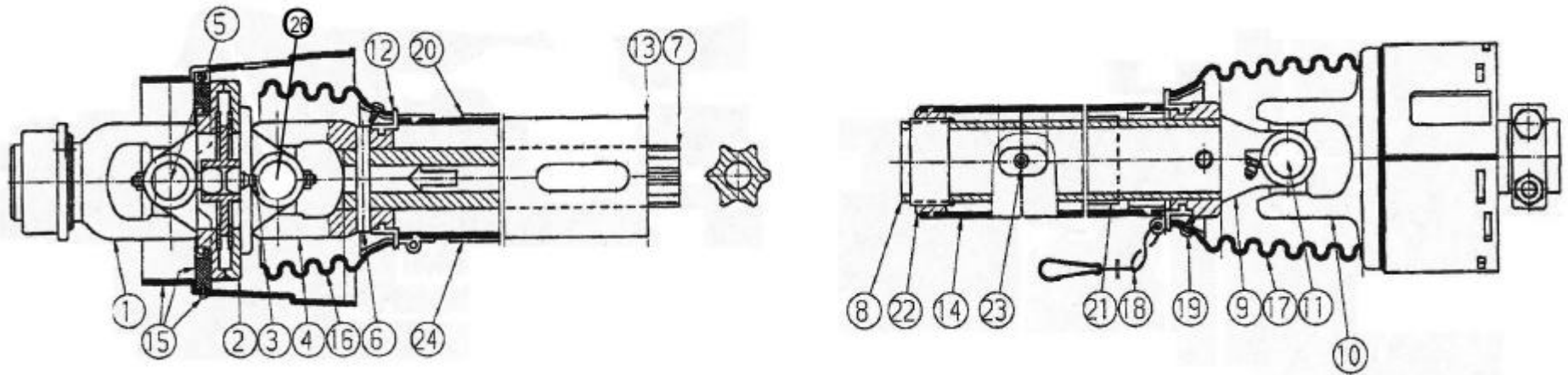
TR 1/2= 50464, OVERALL COMPRESSED LENGTH, CROSS TO CROSS IS 65.56", IMP 1/2=50465

ITEM	PART#	QTY	DESCRIPTION	ITEM	PART#	QTY	DESCRIPTION
1	17169	1	YOKE 1 3/8- 21 SPL	14	50456	1	SHIELD TUBE INNER SHREDDER CV
2	17194	1	DOUBLE YOKE	15	17201	1	CV CONE & BRG ASSY
3	17195	1	ZERK-IN ITEM 2	16	50450	1	SHIELD CONE 4 RIB
4	17196	1	INBOARD YOKE S4	17	50454	1	SHIELD CONE 6 RIB
5	17197	2	CROSS & BEARING KIT	18	16815	1	SAFETY CHAIN
6	17158	2	SPRING PIN 10x90	19	16818	8	SCREWS IN 15,16,&17
7	50459	1	INNER PROFILE S4GA	20	16816	1	DECAL OUT-IN ITEM 13
8	50458	1	PROFILE & SLEEVE S5 SHREDDER CV	21	16817	1	DECAL INN-IN ITEM 8
9	17162	1	PROFILE & SLEEVE S5 SHREDDER CV	22	17171	1	SUPPORT BEARING
10	50457	1	OVERRUNNING/FRICTION CLUTCH	23	16820	1	ZERK-IN ITEM 8
11	17157	1	CROSS & BEARING KIT	24		1	LUBRICATION DECAL
12	16814	2	BEARING RING SC25	25	17172	1	LOCK COLLAR KIT
13	50455	1	SHIELD TUBE OUTER SHREDDER CV	26	50602	1	CROSS KIT

COMPLETE PTO PART# 65073

2/18/05

WALTERSCHEID PULL TYPE DIRECT DRIVE CV PTO, 1 3/4-20 1000



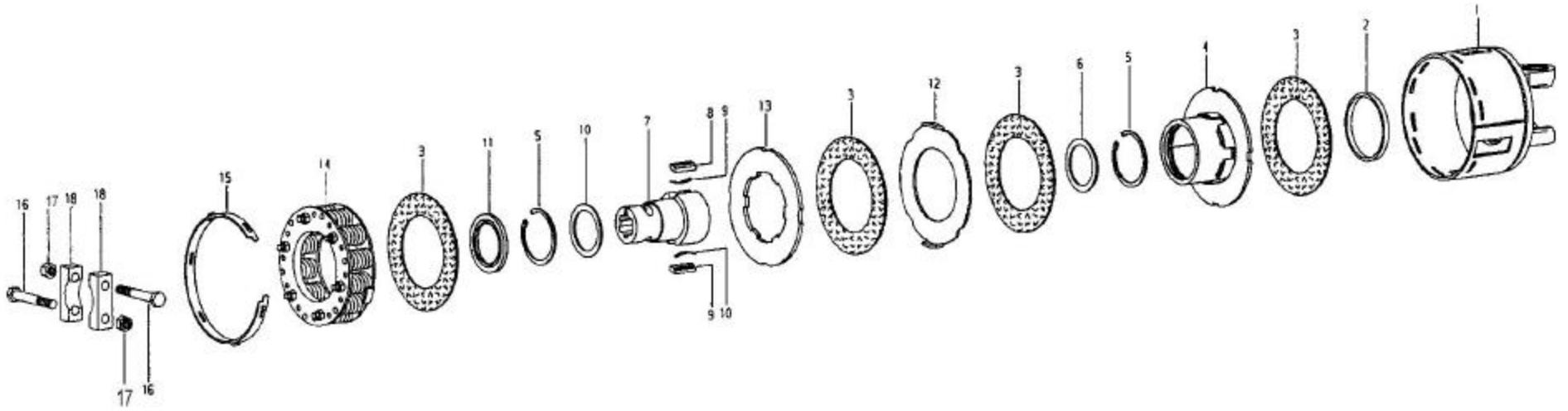
TR 1/2= 50466, OVERALL COMPRESSED LENGTH, CROSS TO CROSS IS 65.56", IMP 1/2=50465

ITEM	PART#	QTY	DESCRIPTION	ITEM	PART#	QTY	DESCRIPTION
1	16792	1	YOKE 1 3/4- 20 SPL	14	50456	1	SHIELD TUBE INNER SHREDDER CV
2	17194	1	DOUBLE YOKE	15	17201	1	CV CONE & BRG ASSY
3	17195	1	ZERK-IN ITEM 2	16	50450	1	SHIELD CONE 4 RIB
4	17196	1	INBOARD YOKE S4	17	50454	1	SHIELD CONE 6 RIB
5	17197	2	CROSS & BEARING KIT	18	16815	1	SAFETY CHAIN
6	17158	2	SPRING PIN 10x90	19	16818	8	SCREWS IN 15,16,&17
7	50459	1	INNER PROFILE S4GA	20	16816	1	DECAL OUT-IN ITEM 13
8	50458	1	PROFILE & SLEEVE S5 SHREDDER CV	21	16817	1	DECAL INN-IN ITEM 8
9	17162	1	PROFILE & SLEEVE S5 SHREDDER CV	22	17171	1	SUPPORT BEARING
10	50457	1	OVERRUNNING/FRICTION CLUTCH	23	16820	1	ZERK-IN ITEM 8
11	17157	1	CROSS & BEARING KIT	24		1	LUBRICATION DECAL
12	16814	2	BEARING RING SC25	25	17173	1	LOCK COLLAR KIT
13	50455	1	SHIELD TUBE OUTER SHREDDER CV	26	50620	1	CROSS KIT

COMPLETE PTO PART# 65074

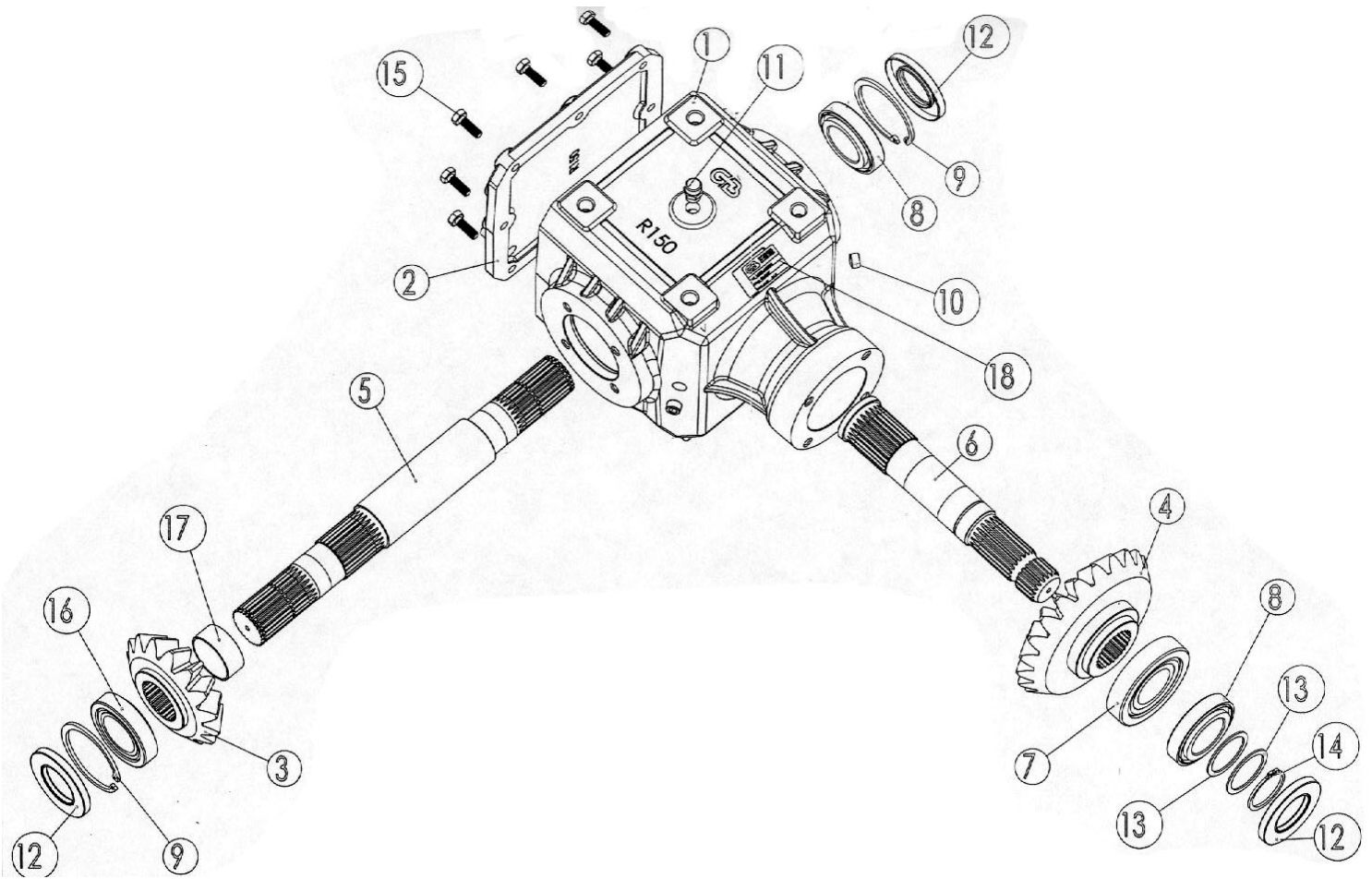
2/18/05

NORMAL DUTY FRICTION CLUTCH, PART NUMBER 50457



ITEM#	PART#	QTY	DESCRIPTION	ITEM#	PART#	QTY	DESCRIPTION
1	50470	1	CLUTCH HOUSING WITH YOKE	10	50479	1	SUPPORT RING
2	50471	1	WEAR RING	11	50480	1	SEAL RING
3	50472	4	FRICTION DISC	12	50481	1	DRIVE PLATE
4	50473	1	OVERRUNNING HOUSING	13	50482	1	DRIVE PLATE
5	50474	2	RETAINING RING	14	50483	1	SPRING PACK
6	50475	1	SUPPORT RING	15	50484	1	SETTING RING
7	50476	1	HUB	16	50485	2	BOLT HEX, 16mm x 110mm
8	50477	2	DRIVE KEY	17	3149	2	TOPLOCK NUT, HEX HD 16mm
9	50478	2	LEAF SPRING	18	50486	1	CLAMP BRIDGE

GB SHREDDER GEARBOX



DIRECT DRIVE GEARBOX=P/N 61131 (1.46:1)
300 HP GEARBOX (1.25:1)=P/N 33211
MOUNTING PLATE=P/N 28492

ITEM	QTY	PART#	DESCRIPTION	ITEM	QTY	PART#	DESCRIPTION
1	1	50439	GEAR BOX HOUSING	8	2	17707	BEARING BALL--#30210
2	1	50442	COVER	8B	AR	61133	SHIM, OUTPUT
3	AR	50436	GEAR 18 TEETH(1.25:1)	9	2	50388	SNAP RING
	AR	50437	GEAR 15 TEETH(1.46:1)	10	4	50443	OIL PLUG
	AR	50438	GEAR 16 TEETH(1.68:1)	11	1	17690	BREATHER
4	AR	50446	GEAR 23 TEETH(1.25:1)	12	3	50368	SEAL--50x90x10mm
	AR	50447	GEAR 22 TEETH(1.46:1)	13	AR	61133	SHIM, INPUT
	AR	50448	GEAR 27 TEETH(1.68:1)	14	1	50385	SNAP RING
5	AR	50449	SHAFT THRU	15	4	3035	CAP SCREW HEX
	AR	60558	SHAFT THRU(DIRECT DRIVE)	16	1	50367	BEARING BALL #32210
6	1	50435	SHAFT	16B	AR	61132	SHIM, OUTPUT
7	1	50366	BEARING BALL #30310A	17	1	50441	SPACER