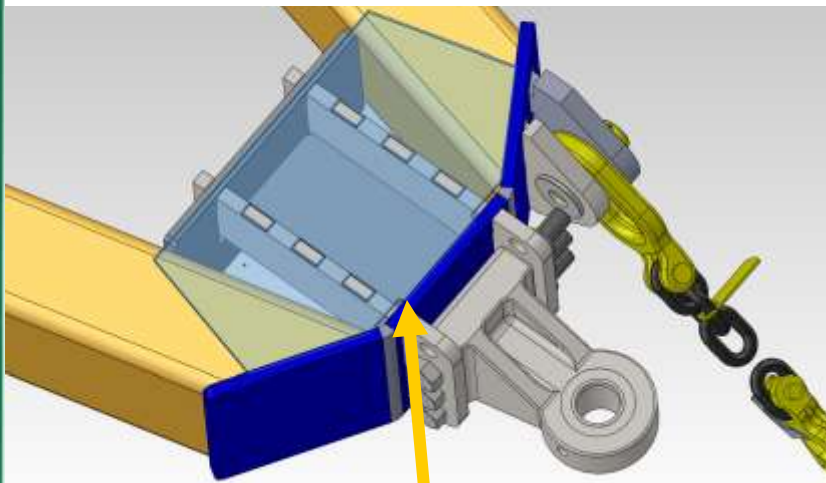


Bull Pull Hitch Installation Illustration

Bull Pull hitch system is designed to be used on specific tongues! It does not retrofit to previous models!

Any field installations may result in failure of the hitch and should not be attempted!



Structural members are hidden to show internal components.

