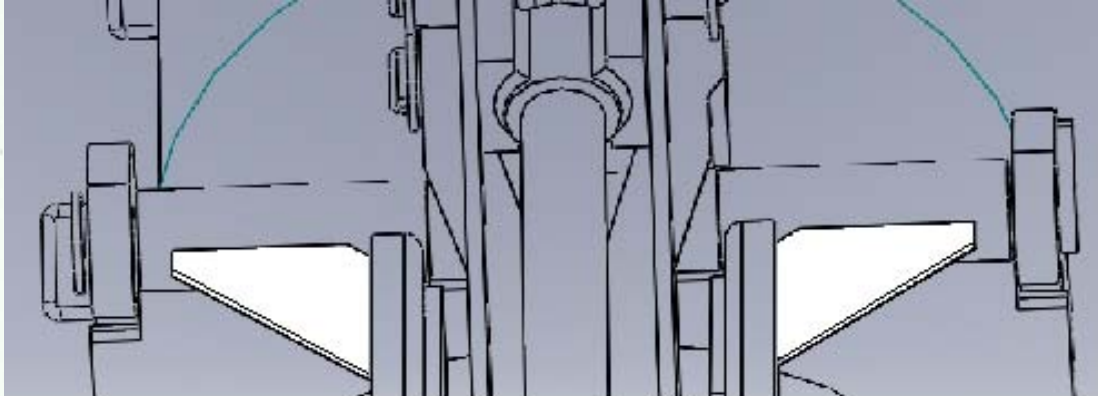


## ENGINEERING BULLETIN

### GRAIN CART VERTICAL AUGER HINGE UPDATE

#### 1) ADD TWO GUSSETS TO THE MAIN HINGE FRAME



**PLEASE DO IMMEDIATELY**

#### 2) ADD LIFTING SUPPORT TO THE ARM

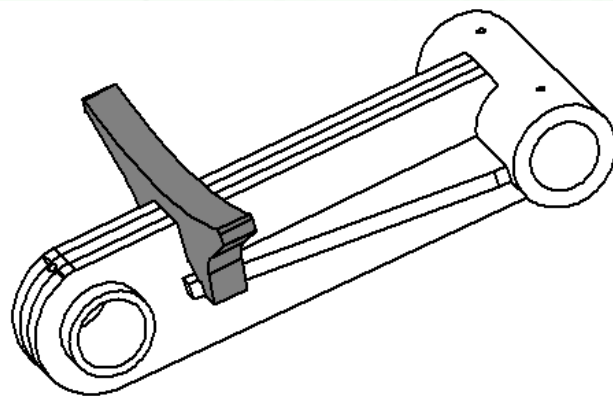
The added support should be welded in place, without removing the arm. Raise the auger up sufficiently to install the added support. Position the support against the two lateral gussets. Remove blocking and lower upper auger completely pushing the new support in place. Make sure the auger is completely in the parked position. Spot weld in place. Raise the upper auger and complete the weld all around the arm.

If necessary, readjust saddle height.



#### **WARNING**

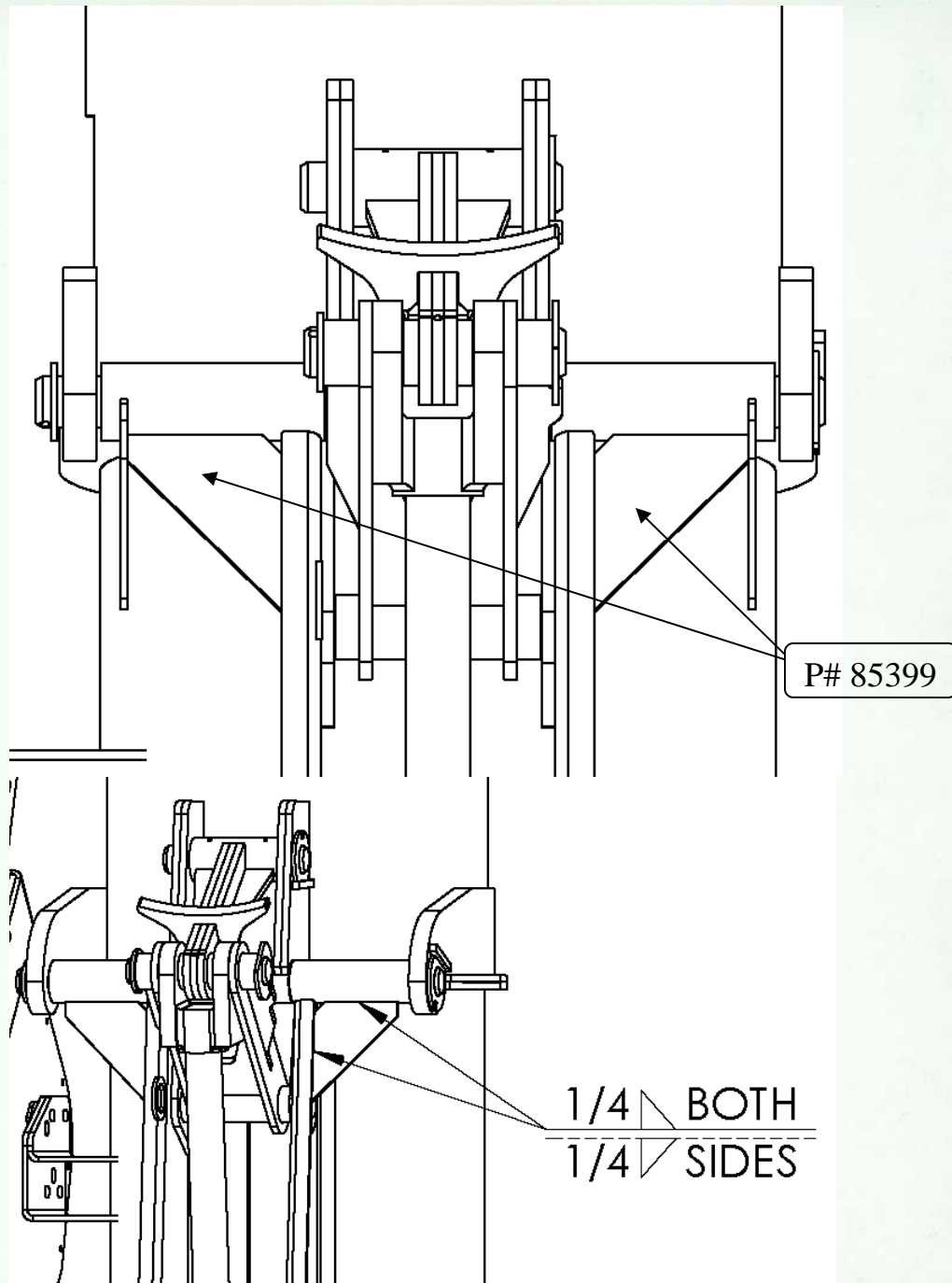
**MUST POSITION WELDING GROUND DIRECTLY TO THE VERTICAL AUGER BODY. DO NOT GROUND THROUGH GRAIN CART FRAME, THIS MAY DAMAGE LOAD CELLS.**



A \$50.00 CREDIT WILL BE ISSUED FOR WELDING THE THREE PARTS  
FAILURE TO IMPLEMENT MODIFICATION WILL VOID BALZER'S WARRANTY



## ENGINEERING BULLETIN





## ENGINEERING BULLETIN

P# 85573

