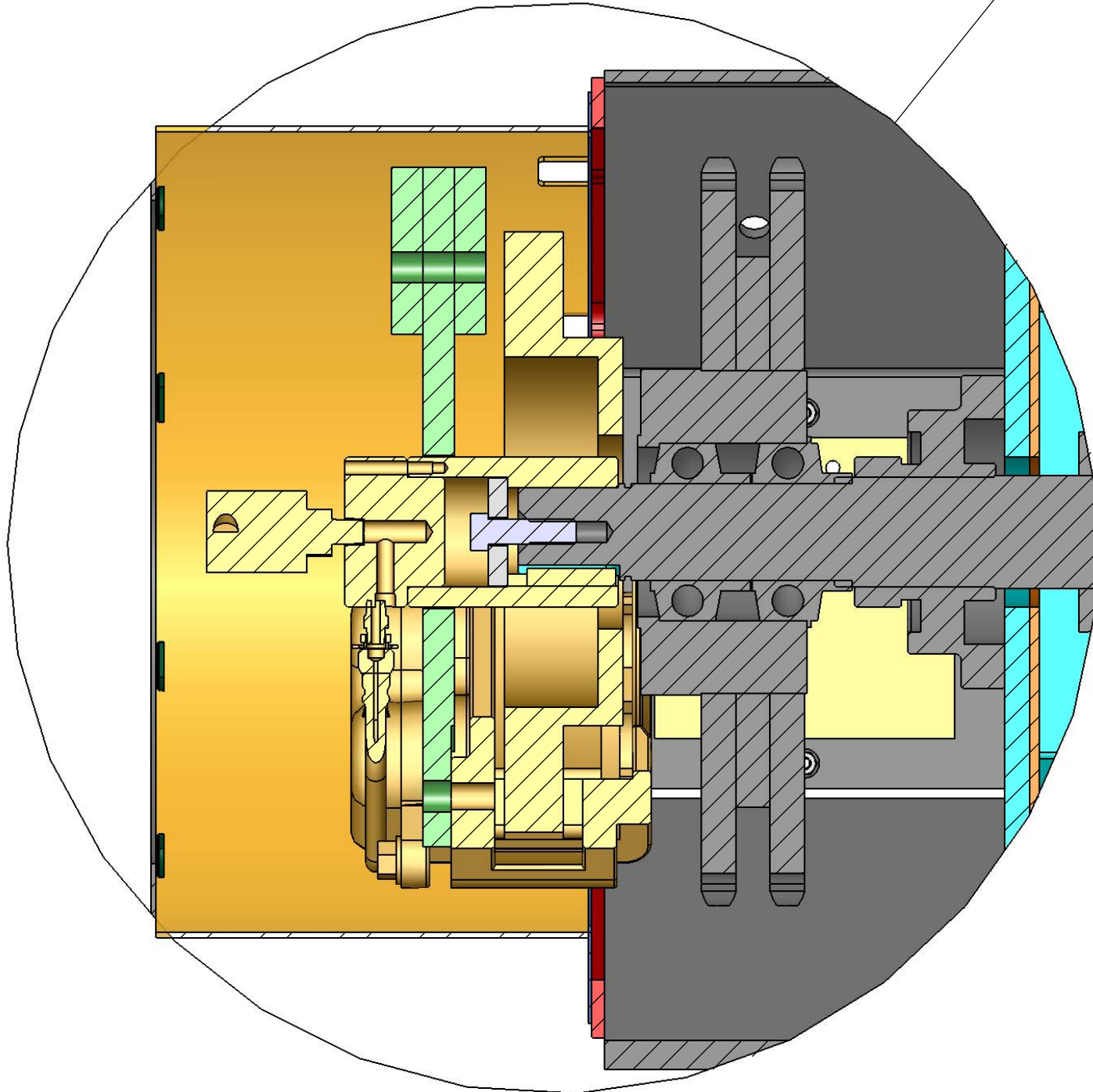
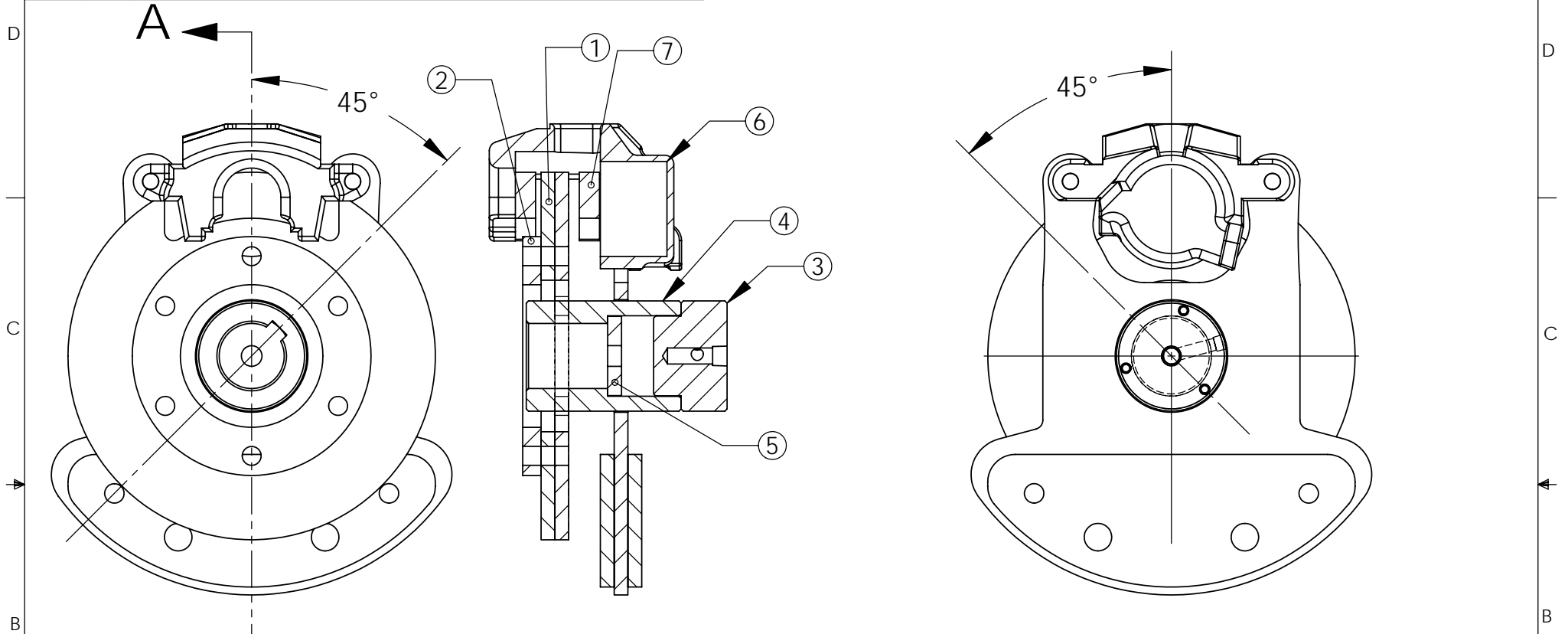


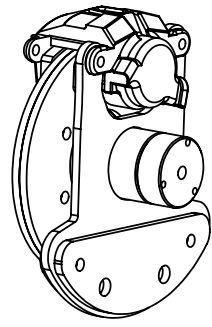
ITEM #	QTY.	PART #	DESCRIPTION
2	2	84477	BRAKE PAD
3	1	84480	BRAKE LINE HOSE
4	1	84479	BOLT BANGO
5	1	84478	HYD COUPLER 1/8 NPT - 3/16 BRK LINE
6	1	84464	END CAP 3" OD x 2" LONG MACHINED
7	1	84476	3/8" WASHER 2.156" OD x .562"ID
8	1	84458	WELDMENT
9	1	84459	BRAKE CALIPER
10	1	84461	BRAKE ROTOR MACHINED
11	1	72152	TEE #6 JIC SWIVEL RUN
12	1	72153	SWIVEL TO PIPE #6 JIC FM SWIVEL-1/4"NPT MALE
13	1	8638	GAUGE PRESSURE
14	1	72133	HYD BULKHEAD #6 JICM x #6 JICM (2700-LN-STR)
15	1	72132	HYD HOSE .25X .25NPTMX .56JICFMS 45DEGX 15"LG
16	1	71741	HYD ROTATING COUPLER .25" NPT
17	1	84468	PLATE, COVER BRAKE CLUTCH .07" x 15.5"OD
18	1	1251	BOLT.5 x 1.75 GR5 HEX HEAD
19	1	80793	KEY 9 x 14 x 45MM
20	1	84465	FRONT CLUTCH COVER VERT AUGER



ECO #	REV.	NOTES	DATE	DRWN	APR
4606		RELEASED - REPLACED #84460	09/17/08	JKH	FB
XXX		XXXX	XX	XX	XX



SECTION A-A  
SCALE 1 : 4



ITEM #	QTY	PART #	DESCRIPTION
1	2	85422	BRAKE ROTOR PLATE .37" x 10" OD
2	1	85423	BRAKE ROTOR SPACER .50" x 6.5" OD
3	1	84464	END CAP 3" OD x 2" LONG MACHINED
4	1	85425	WELDMENT
5	1	84476	3/8" WASHER 2.156" OD x .562"ID
6	1	85421	BRAKE CALIPER
7	1	85427	BRAKE PAD SET

<b>BALZER INC.</b> CO. HWY 27 E MT. LAKE, MN 507-427-3133	TO ASSEMBLY		UNLESS OTHERWISE SPECIFIED DIMENSIONS ARE IN INCHES & TOLERANCES ARE:	FRACTIONS +- 1/32	DECIMALS +- .005	ANGLES +- 1°	PART NAME BRAKE CLUTCH SUB ASSEMBLY GRAIN CART 2009
	SUB ASSEMBLE		MATERIAL SEE BILL OF MATERIALS			WHERE USED 1/92130	julie
	PROCEDURE	DESIGN SV	LAST SAVED DATE Tuesday, December 23, 2008 8:23:11 AM			DWG. NO. <b>85420 SW</b>	